

VArtek

M a c h i n e r y

Product **B**rochure

VArtek

ADVANCEFORM

www.vartekmachinery.com

Thank you for taking time to review our brochure. We hope we can help you to choose the best product for your facility and make this investment process as easy and informative as it can be.

Before you move on further, let us give you the background on our company as we believe it is very important to know about the people behind the scenes designing and building these machines.

Vartek is founded by Emre VARISLI has an experience experience of over 15 years in sheet metal fabricating machinery world. Having closely worked with thousands of customers from around the world, they had a solid grasp of the gap between what the fabricators need and what they are offered.

This is the core reason of Vartek's existence. It is our belief that we can create a positive difference with our grasp of the market, our mentality and our products.

We are not in the business of treating you like a commodity buyer. We know well that every fabricator has different needs and different production scenarios and every press brake and shear in turn has to be crafted to suit different needs.

In this sense, we are proud to present ourselves as an engineering company first and machinery builder next.

For this reason, we don't have a sales pitch to go through. We prefer to listen to what you say, go over your production process and finally choose or create together a model that will make things easier for you today and tomorrow.

We are also proud of our design and production team working tirelessly behind the scenes to bring you not just a machine but a solution that is crafted for your specific needs. All our staff are sector veterans and they have spent long years building press brakes and shears. Guided with the right vision and mission, they thrive to design and build the best solution for you.

We hope you like what you see here and give us the opportunity to create a solution for your needs.

Regards

Vartek team

PRIMAFORM

HYDRAULIC PRESS BRAKE



PrimaForm is the flagship press brake of Vartek. It is designed for production environments that run high mix/low volume parts and require frequent machine setups. All of its features are designed for customers working with materials like stainless steel and aluminum.

Whether you want to form a part by air bending, bottoming or hemming, PrimaForm's advanced angle calculation formula, precise servo hydraulic system and electronic linear scales ensure you get the right part every time.

The editable material database on PrimaForm lets you add as many material as you want and even allows you to record the springback of each material so the control can autocorrect angles to compensate for springback.

Before we designed PrimaForm, we wanted to fully grasp the challenges and shortcomings that the operators are facing in precision sheet metal shops and talked to many operators during the process.

Main points every press brake operator emphasized were;

- Easiness of setting up the machine for the next batch
- Setting up the tooling stations in the right places so it matches with the backgauge fingers when forming the part
- An easy way to turn customer drawings into part programs without interrupting product runs.
- Choosing the right tooling for the right job.
- Running prototypes without scrapping high value materials like stainless steel and aluminum.

We already had the foundations of a solid offering with precision, repeatability, consistency and dependability on our PrimaForm and we implemented these requests from our customer base and created the new PrimaForm.



If you are focused on productivity and efficiency in your shop floor as we are, you are aware that setup times for your machine can make the difference between running a profit or loss.

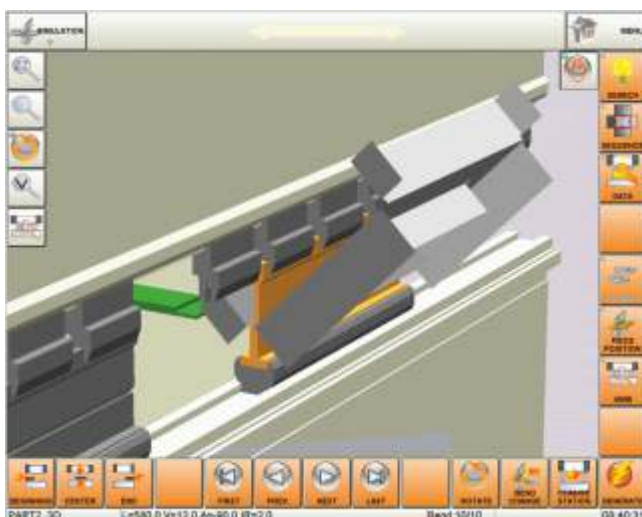
Different jobs require different tools and frequently changing tools on a press brake with a clunky clamp system is no fun.

We agree and for this reason, we have equipped PrimaForm with the easiest tool changing system you can find. Just mount your punch into the holder vertically and press the clamping button. The system will auto-seat and auto-align. You are done!

PrimaForm's high precision punch and die clamps use industry leading, CNC deep hardened punches and dies. This ensures top accuracy whatever the material is and whatever the job is.

A common scenario. You need to set up multiple tool stations for stage bending a complex part. Backgauge fingers are already programmed by your CNC control but how do you align your tools with the fingers for each bending step?

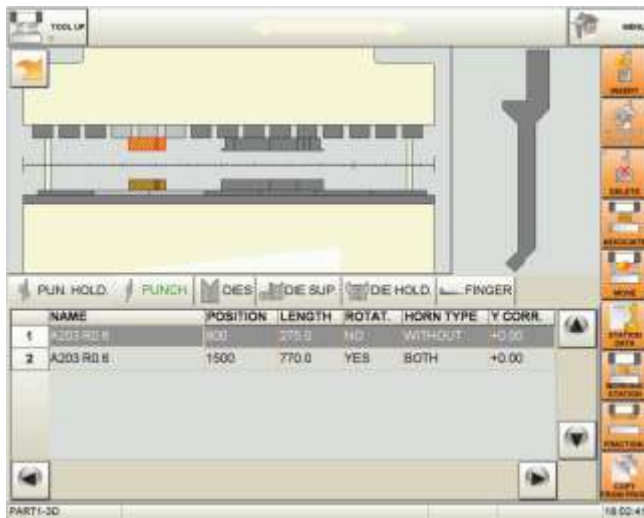
Enter VisioForm! Our unique tool locator is a strip of LED lights that sit right above the punch clamp and will help you set up your tools easily by lighting up the exact spot you need to mount your tools. Along with the vertical punch mount ability, VisioForm makes it a breeze to set up your tooling stations. But VisioForm does not stop there and also continues to guide you during the bending process. For each bend, VisioForm will light up the correct tool station so you will know where to gauge your part without even looking at your control's screen!



Turning blueprints into parts is another process that can be time consuming and a productivity killer. No more with PrimaForm. You get a free copy of offline software that will run on your computer. You can create part programs in 2D or 3D and send to PrimaForm via network connection or transfer them on a USB thumbdrive.

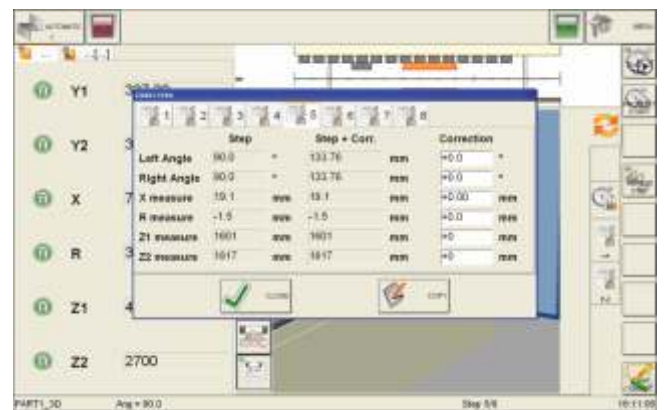
You don't even have to program your part manually. If you have a DXF drawing of the part, NexT can process that flat DXF and turn it into a full blown 3D part program!

DXF drawings exported from SolidWorks* will have crucial information like thickness, type of material, angle, allowance and radii automatically embedded and NexT can read all that information and create a fully formed product to run immediately without any intervention from you.



Choosing the right punch and die for the job is crucial. Choosing wrong tools not only causes your part to be scrapped but may even damage your tools. Let NexT choose the right punch and die with one touch of a button. When you program a part, NexT's autotool feature will search your tool library and will offer you the right punch and die for the job in hand.

Precision shops, working with high value materials like stainless steel and aluminum, hate to see the material being scrapped by overbending or underbending in the first run due to springback of the material or other factors in play. We want your first part to be perfect so we have created a prototype mode that helps you bend the perfect part without scrapping your material.



Bending parts with different size flanges is another difficult job that is time consuming and error-prone without the right backgauge. PrimaForm's backgauge lets you precisely locate each finger independent from each other. This gives you great flexibility for complex parts that are difficult to handle. PrimaForm's multi axis backgauge also allows you to easily bend tapered (conic) parts without the hassle of marking the bending lines.



PrimaForm's CNC controlled bed crowning system negates the deflection of lower bed during bending and ensures all-even angles along the full length of the bed.



State of the art hydraulics with servo proportional valves, honed and chrome covered cylinders with precision ground pistons and high quality seals ensure decades of trouble-free operation.

Auto start-stop function stops all the electric motors when the machine is left idle for a specified time and starts right back when the pedal or start button is pressed.

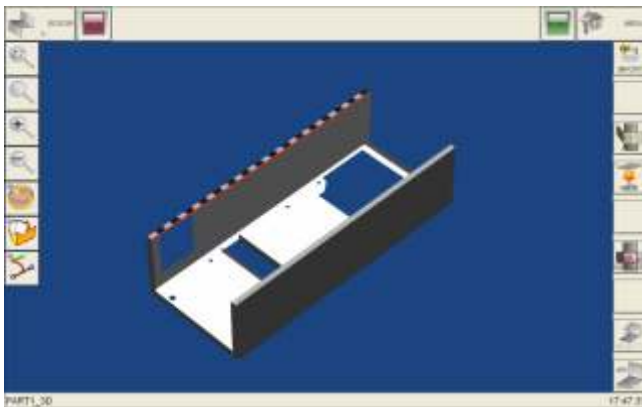
This feature not only reduces your electric bill and help save the environment but also prevents the hydraulic oil from reaching high temperatures therefore keeps the angles consistent from the start of the day to the end.



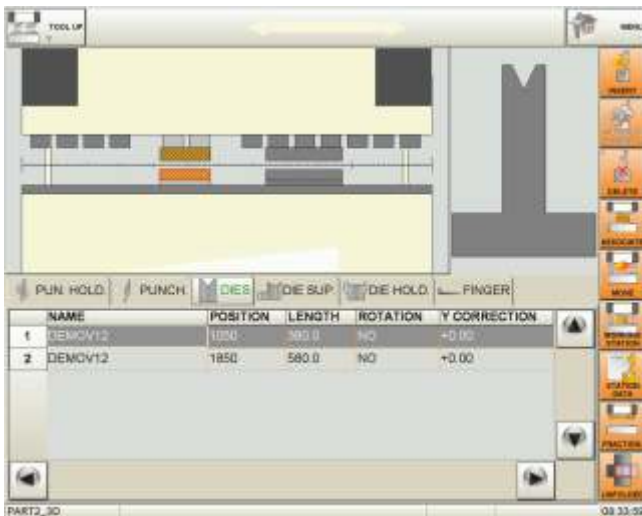
All NexT controls are equipped with remote diagnostic feature and in the unlikely event of an issue, our engineers can remotely connect to your machine and diagnose any issues you might have.

**NEXT
3.0
CNC
CONTROL**

A good press brake is only complete with a good control. A good control should be your companion and should solve problems for you, not the other way around. It should be simple enough both when you want to bend a one-hit L beam or want to tackle a complex 3D drawing. Creating a simple yet elegant companion for you was our primary goal. We hope you like the features below we designed for your production to be more efficient and your products to be flawless.



2D or 3D? - Whether you're bending a box panel or a simple two hit part, you will find Next's carefully and elegantly designed 2D and 3D part creating interface a joy to work on. On its 17" beautiful and colorful touchscreen, a large canvas will display your part and will let you easily manipulate with taps and touches.



Tooling Stations - One part, three different tool stations. On Next, it takes only a minute to set three or more different tooling stations. Coupled with VisioForm LED system, you will literally spend two minutes setting up your machine for the next job.



DXF Import - You know you can easily create your part in 2D or 3D on Next but you don't even need to do that if you already have a DXF drawing of your part. Just load your DXF directly to the control or on the offline software and watch Next magically transform a flat drawing into a 3D part. If you are creating your DXF on SolidWorks, Next will read all the embedded information in the DXF like angle, allowance, radius, thickness and material type and will create a full 3D part without you touching a thing.

YOUR COMPANION
YOUR PROBLEM SOLVER
NEXT

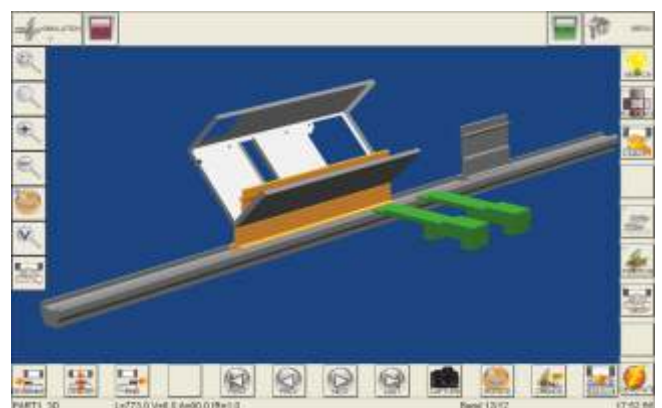
Autotooling - Creating your part is half the job done but if you don't choose the right tooling for your part, you will not get a finished part but a scrap. Even worse, you may end up damaging your tools. This scenario is more common than you think and that is the reason we designed auto tooling feature on NexT. Once you finish drawing or importing your part, all you need to do is to hit autotooling button and NexT will offer the right punch and die. Stress free!



Offline Software - Of course we don't want you to stop your production while you are preparing a new part program. You can prepare your part programs or import your DXFs on your PC and transfer them either through a network connection or with a USB thumb drive without stopping your press brake what it does best, running parts!



User Interface - When you are running a press brake, you spend most of your time on the control, creating parts, modifying parts and running parts. This is why we spent a great deal of time creating our user interface, making it simple yet elegant, powerful yet easy to grasp. We know how hard it is to find experienced press brake operators, how hard it is to train rookie operators and our primary goal was to create a control that can be run by anyone. And when we say anyone, we mean it! Please ask your local dealer for a hands on demo and you will see what we mean!



Standard Equipments

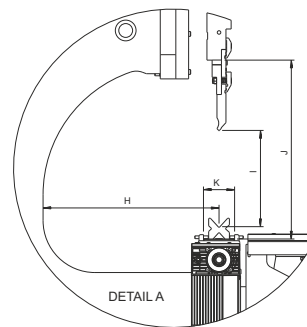
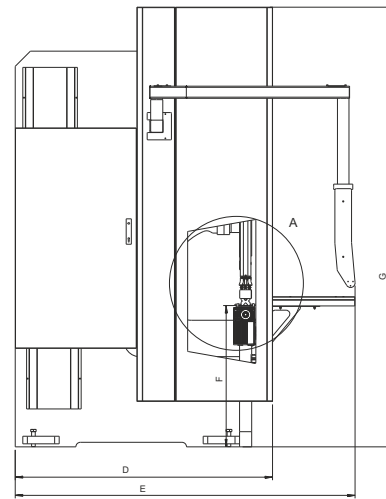
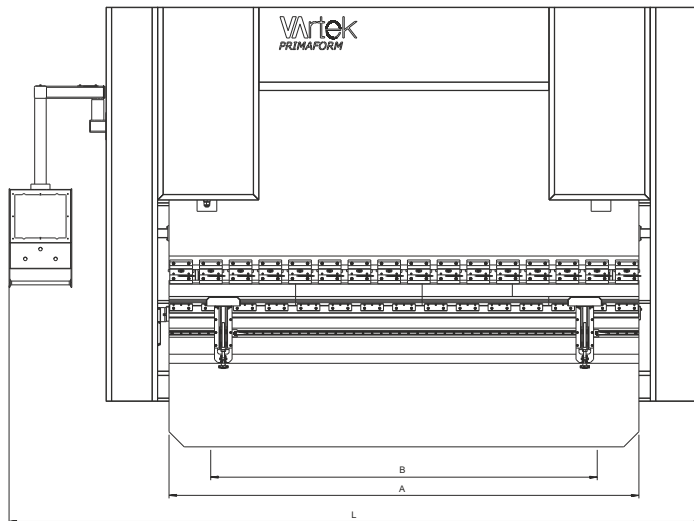
- Rigid frame designed on SolidWorks with stress and deflection analysis, welded by certified welders and machined to 0,01 mm precision in single piece.
- NexT 3.0 17" 2D/3D graphic touchscreen control.
- Dependable servo hydraulic system provided by Hoerbieger.
- Honed, chrome covered cylinders with high precision ground pistons.
- Y1-Y2 synchronized hydraulic cylinders running on dual ram guides on each side for smooth ascend and descend.
- 6 axis backgauge (X1,X2,R1,R2,Z1,Z2) running on ballscrews with servo motors and independent finger blocks to easily gauge complex parts and tapered pieces.
- VisioForm LED bend guide system.
- Hydraulic punch holder with vertical mount, auto seat and auto align function.
- Hydraulic die holder with one touch lock mechanism.
- High stroke and daylight for deep box/panel bending.
- 500 mm throat depth to utilize full length and deep bends.
- High resolution linear scales with an accuracy of 0,01 mm for precise bending.
- Automatic crowning of die bed for even angles along full length of bend.
- Front support arms sliding on linear guides to easily gauge small parts.
- Oil coolant to maintain optimum oil temperature and consistent bends in long runs.

Optional Equipments

- Front laser guards for finger protection.
- Custom design throat, stroke and daylight.
- CNC controlled bending aids in front to easily handle large plates.
- Real time angle measurement and correction system.
- Large selection of punches and dies.
- Tandem Preparation
- Automatic Lubrication System

PrimaForm Tech Specs

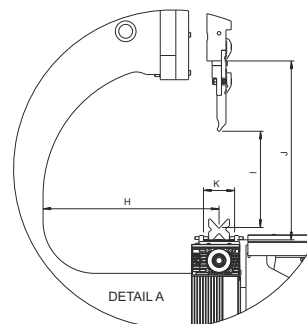
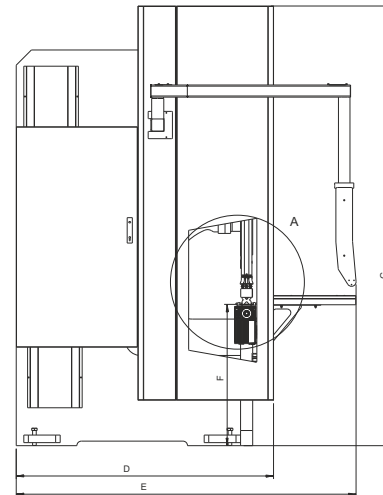
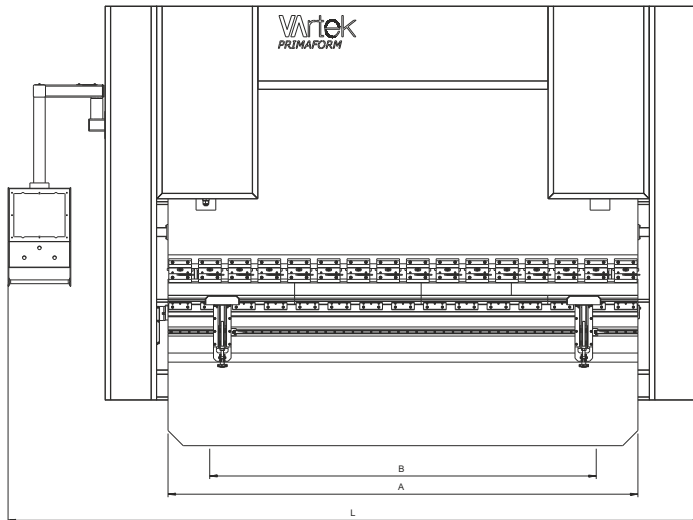
MODEL	Bending Length	Bending Force	Stroke	Daylight	Distance Between Frames	Y Axis Freecall Speed	Y Axis Bending Speed	Y Axis Return Speed	X Axis Stroke	R Axis Stroke	Bakgauge Speed	Main Motor	Oil Tank	Length	Width	Height	Transport Width	Throat Depth	Table Height	Table Width	Weight
	A		I	J	B									L	E	G	D	H	F	K	
	mm	Ton	mm	mm	mm	mm/sec	mm/sec	mm/sec	mm	mm	mm/sec	kW	Lt	mm	mm	mm	mm	mm	mm	mm	kg
2600-100	2600	100	280	520	2100	180	10	160	800	250	500	11	250	3450	2250	2830	1750	500	860	90	7250
2600-135	2600	135	280	520	2100	180	10	160	800	250	500	11	250	3450	2250	2830	1750	500	860	90	7750
3100-100	3100	100	280	520	2550	180	10	160	800	250	500	11	250	3900	2250	2830	1750	500	860	90	7850
3100-135	3100	135	280	520	2550	180	10	160	800	250	500	11	250	3900	2250	2830	1750	500	860	90	8100
3100-175	3100	175	280	520	2550	180	10	160	800	250	500	15	250	3950	2300	2900	1850	500	930	90	9850
3100-220	3100	220	280	520	2550	180	10	160	800	250	500	15	250	3950	2300	2900	1850	500	930	90	11250
3700-135	3700	135	280	520	3100	180	10	160	800	250	500	11	250	4450	2250	2830	1750	500	860	90	9150
3700-175	3700	175	280	520	3100	180	10	160	800	250	500	15	250	4500	2300	2900	1850	500	930	90	11650
3700-220	3700	220	280	520	3100	180	10	160	800	250	500	15	250	4500	2300	2900	1850	500	930	90	12750
4100-135	4100	135	280	520	3550	180	10	160	800	250	500	11	250	4900	2250	2830	1750	500	860	90	9950
4100-175	4100	175	280	520	3550	180	10	160	800	250	500	15	250	4950	2300	2900	1850	500	930	90	12250
4100-220	4100	220	280	520	3550	180	10	160	800	250	500	15	250	4950	2300	2900	1850	500	930	90	13750
4270-135	4270	135	280	520	3550	180	10	160	800	250	500	11	250	4900	2250	2830	1750	500	860	90	10350
4270-175	4270	175	280	520	3550	180	10	160	800	250	500	15	250	4950	2300	2900	1850	500	930	90	12800
4270-220	4270	220	280	520	3550	180	10	160	800	250	500	15	250	4950	2300	2900	1850	500	930	90	13950



Any information and/or data can be changed by Vartek without prior notice

PrimaForm Tech Specs

MODEL	Bending Length	Bending Force	Stroke	Daylight	Distance Between Frames	Y Axis Freefall Speed	Y Axis Bending Speed	Y Axis Return Speed	X Axis Stroke	R Axis Stroke	Bak gauge Speed	Main Motor	Oil Tank	Length	Width	Height	Throat Depth	Table Height	Table Width	Weight
	A		I	J	B									L	E	G	H	F	K	
	inch	Ton	inch	inch	inch	IPM	IPM	IPM	inch	inch	IPM	hp	gal	inch	inch	inch	inch	inch	inch	lbs
2600-100	102	110	11	20	83	425	24	377,95	31,5	10	1180	10	40	130	89	103	19,7	33,5	3,3	15950
2600-135	102	149	11	20	83	425	24	377,95	31,5	10	1180	15	40	130	93	105	19,7	33,5	3,3	17050
3100-100	122	110	11	20	100	425	24	377,95	31,5	10	1180	10	40	148	89	103	19,7	33,5	3,3	17270
3100-135	122	149	11	20	100	425	24	377,95	31,5	10	1180	15	40	148	93	105	19,7	33,5	3,3	17820
3100-175	122	193	11	20	100	425	24	377,95	31,5	10	1180	15	40	149	94	114	19,7	36,2	3,3	21670
3100-220	122	242	11	20	100	425	24	377,95	31,5	10	1180	20	53	149	95	115	19,7	36,2	3,3	24750
3700-135	146	149	11	20	122	425	24	377,95	31,5	10	1180	15	53	169	93	105	19,7	33,5	3,3	20130
3700-175	146	193	11	20	122	425	24	377,95	31,5	10	1180	15	53	170	94	114	19,7	36,2	3,3	25630
3700-220	146	242	11	20	122	425	24	377,95	31,5	10	1180	20	53	170	95	115	19,7	36,2	3,3	28050
4100-135	161	149	11	20	140	425	24	377,95	31,5	10	1180	15	53	183	93	105	19,7	33,5	3,3	21890
4100-175	161	193	11	20	140	425	24	377,95	31,5	10	1180	15	53	184	94	112	19,7	36,2	3,3	26950
4100-220	161	242	11	20	140	425	24	377,95	31,5	10	1180	20	53	184	95	115	19,7	36,2	3,3	30250
4270-135	168	149	11	20	140	425	24	377,95	31,5	10	1180	15	53	183	93	105	19,7	33,5	3,3	22770
4270-175	168	193	11	20	140	425	24	377,95	31,5	10	1180	15	53	184	94	114	19,7	36,2	3,3	28160
4270-220	168	242	11	20	140	425	24	377,95	31,5	10	1180	20	53	184	95	115	19,7	36,2	3,3	30690



Any information and/or data can be changed by Vartek without prior notice

6100x600 TON



ACCURAFORM

H Y D R A U L I C P R E S S B R A K E



AccuraForm is a versatile press brake designed to be utilized in low to medium volume/medium to high mix environments. It is an ideal press brake for customers that need frequent setups for their production but do not run products with uneven flanges or tapered edges that would require a six axis backgauge.

Whether you want to form a part by air bending, bottoming or hemming, AccuraForm's advanced angle calculation formula, precise servo hydraulic system and electronic linear scales ensure you get the right part every time.

The editable material database on AccuraForm lets you add as many material as you want and even allows you to enter the springback of the material so the control can autocorrect angles to compensate for springback.



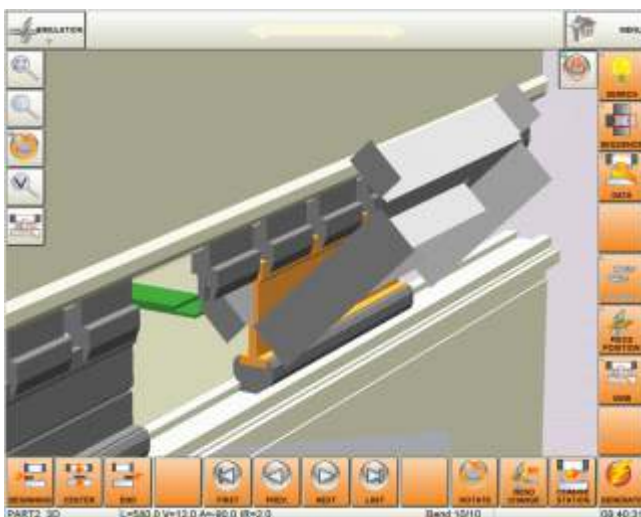
If you are focused on productivity and efficiency in your shop floor as we are, you are aware that setup times for your machine can make the difference between running a profit or loss.

Different jobs require different tools and frequently changing tools on a press brake with a clunky clamp system is no fun.

We agree and for this reason, we have equipped AccuraForm with the easiest tool changing system you can find. Just mount your punch into the holder vertically and press the clamping button. The system will auto-seat and auto-align. You are done!

A common scenario. You need to set up multiple tool stations for stage bending a complex part. Backgauge fingers are already programmed by your CNC but how do you align your tools with the fingers for each bending step?

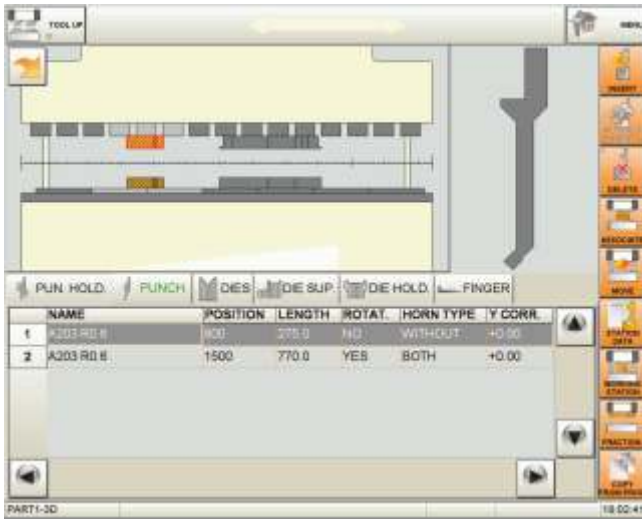
Enter VisioForm! Our unique tool locator (optional equipment for AccuraForm) is a strip of LED lights that sit right above the punch clamp and will help you set up your tools easily by lighting up the exact spot you need to mount your tools. Along with the vertical punch mount ability, VisioForm makes it a breeze to set up your tooling stations. But VisioForm does not stop there and also continues to guide you during the bending process. For each bend, VisioForm will light up the correct tool station so you will know where to gauge your part without even looking at your control!



Turning blueprints into parts is another process that can be time consuming and a productivity killer. No more with AccuraForm. You get a free copy of offline software that will run on your computer. You can create part programs in 2D or 3D and send to AccuraForm via network connection or transfer them on a USB thumbdrive.

You don't even have to program your part manually. If you get a dxf drawing of the part, NexT can process that flat DXF and turn it into a full blown 3D part program!

DXF drawings exported from SolidWorks* will have crucial information like thickness, type of material, angle, allowance and radii automatically embedded and NexT can read all that information and create a fully formed product to run immediately without any intervention from you

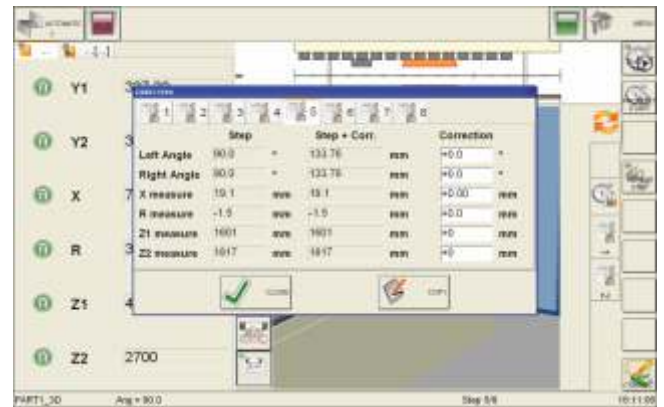


Choosing the right punch and die for the job is crucial. Choosing wrong tools not only causes your part to be scrapped but may even damage your tools.

Let NexT choose the right punch and die with one touch of a button. When you program a part, NexT's autotool feature will search your tool library and will offer you the right punch and die for the job in hand.

Precision shops, working with high value materials like stainless steel and aluminum, hate to see the material being scrapped by overbending or underbending in the first run due to springback of the material or other factors in play.

We want your first part to be perfect so we have created a prototype mode that helps you bend the perfect part without scrapping your material.



AccuraForm's backgauge (X,R, Z1, Z2) running on ballscrews and servo motors ensure precise gauging of your parts. CNC controlled backgauge fingers are positioned automatically at the right place whether you are bending a small piece or full length plate.

AccuraForm's CNC controlled bed crowning system negates the deflection of lower bed during bending and ensures all-even angles along the full length of the bed.





State of the art hydraulics with servo proportional valves, honed and chrome covered cylinders with precision ground pistons and high quality seals ensure decades of trouble-free operation.

Auto start-stop function stops all the electric motors when the machine is left idle for a specified time and starts right back when the pedal or start button is pressed.

This feature not only reduces your electric bill and help save the environment but also prevents the hydraulic oil from reaching high temperatures therefore keeps the angles consistent from the start of the day to the end.



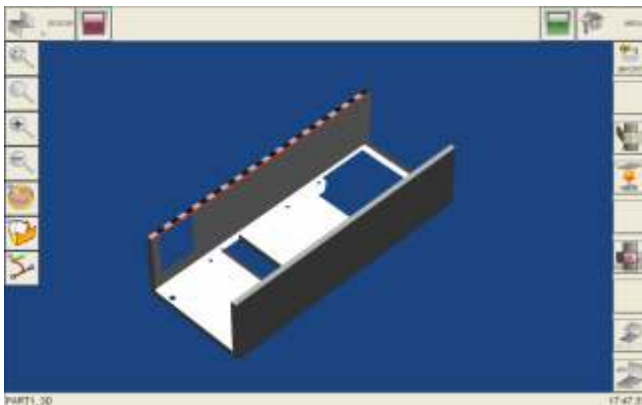
All NexT controls are equipped with remote diagnostic feature and in the unlikely event of an issue, our engineers can remotely connect to your machine and diagnose any issues you might have.

**NEXT
3.0
CNC
CONTROL**

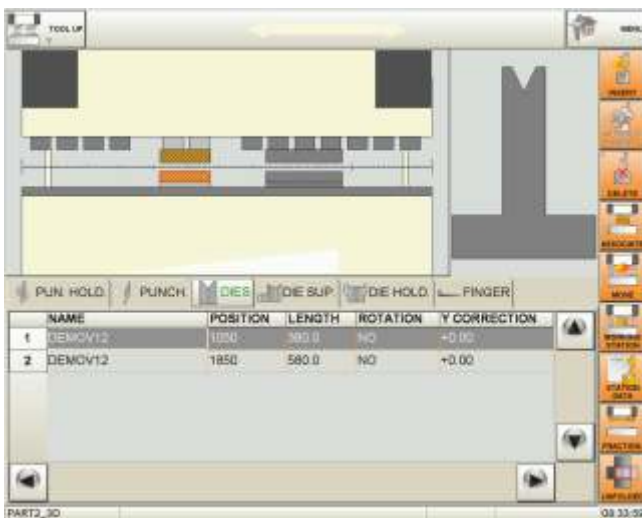
A good press brake is only complete with a good control. A good control should be your companion and should solve problems for you, not the other way around.

It should be simple enough both when you want to bend a one-hit L beam or want to tackle a complex 3D drawing.

Creating a simple yet elegant companion for you was our primary goal. We hope you like the features below we designed for your production to be more efficient and your products to be flawless.



2D or 3D? - Whether you're bending a box panel or a simple two hit part, you will find Next's carefully and elegantly designed 2D and 3D part creating interface a joy to work on. On its 17" beautiful and colorful touchscreen, a large canvas will display your part and will let you easily manipulate with taps and touches.



Tooling Stations - One part, three different tool stations. On Next, it takes only a minute to set three or more different tooling stations. Coupled with VisioForm LED system, you will literally spend two minutes setting up your machine for the next job.



DXF Import - You know you can easily create your part in 2D or 3D on Next but you don't even need to do that if you already have a DXF drawing of your part. Just load your DXF directly to the control or on the offline software and watch Next magically transform a flat drawing into a 3D part. If you are creating your DXF on SolidWorks, Next will read all the embedded information in the DXF like angle, allowance, radius, thickness and material type and will create a full 3D part without you touching a thing.

**YOUR COMPANION
YOUR PROBLEM SOLVER
NEXT**

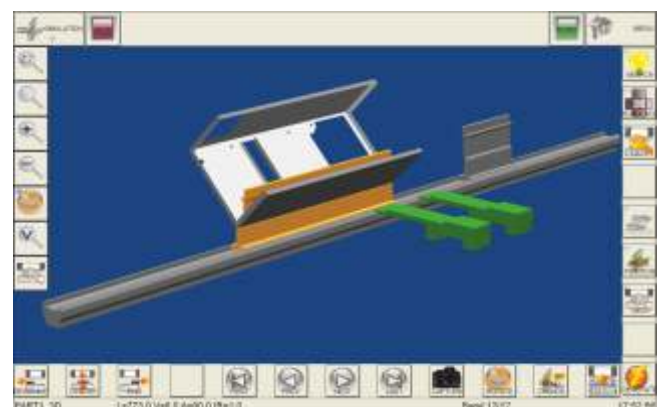
Autotooling - Creating your part is half the job done but if you don't choose the right tooling for your part, you will not get a finished part but a scrap. Even worse, you may end up damaging your tools. This scenario is more common than you think and that is the reason we designed auto tooling feature on NexT. Once you finish drawing or importing your part, all you need to do is to hit autotooling button and NexT will offer the right punch and die. Stress free!



Offline Software - Of course we don't want you to stop your production while you are preparing a new part program. You can prepare your part programs or import your DXFs on your PC and transfer them either through a network connection or with a USB thumb drive without stopping your press brake what it does best, running parts!



User Interface - When you are running a press brake, you spend most of your time on the control, creating parts, modifying parts and running parts. This is why we spent a great deal of time creating our user interface, making it simple yet elegant, powerful yet easy to grasp. We know how hard it is to find experienced press brake operators, how hard it is to train rookie operators and our primary goal was to create a control that can be run by anyone. And when we say anyone, we mean it! Please ask your local dealer for a hands on demo and you will see what we mean!



Standard Equipments

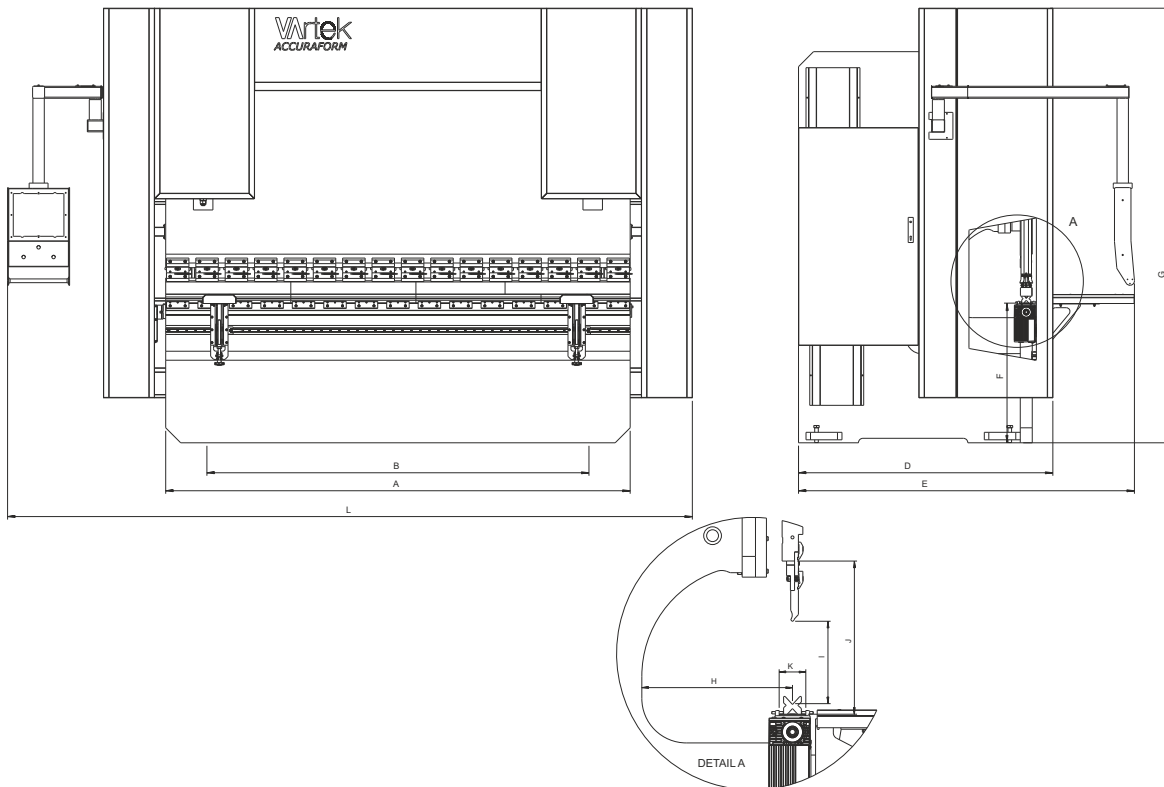
- Rigid frame designed on SolidWorks with stress and deflection analysis, welded by certified welders and machined to 0,01 mm precision in single piece.
- NexT 3.0 17" 2D/3D graphic touchscreen control.
- Dependable servo hydraulic system provided by Hoerbieger.
- Honed, chrome covered cylinders with high precision ground pistons
- Y1-Y2 synchronized hydraulic cylinders running on dual ram guides on each side for smooth ascend and descend.
- 4 axis backgauge (X,R,Z1,Z2) running on ballscrews with servo motors to easily gauge complex parts.
- Hydraulic punch holder with vertical mount, auto seat and auto align function.
- European (or American) die holder with quick change mechanism.
- High stroke and daylight for deep box/panel bending.
- 500 mm throat depth to utilize full length and deep bends.
- High resolution linear scales with an accuracy of 0,01 mm for precise bending.
- Automatic crowning of die bed for even angles along full length of bend.
- Front support arms sliding on linear guides to easily gauge small parts.

Optional Equipments

- Front laser guards for finger protection.
- VisioForm LED bend guide system
- Custom design throat, stroke and daylight.
- CNC controlled bending aids in front to easily handle large plates.
- Real time angle measurement and correction system.
- Large selection of punches and dies.
- Tandem Preparation
- Automatic Lubrication System

AccuraForm Tech Specs

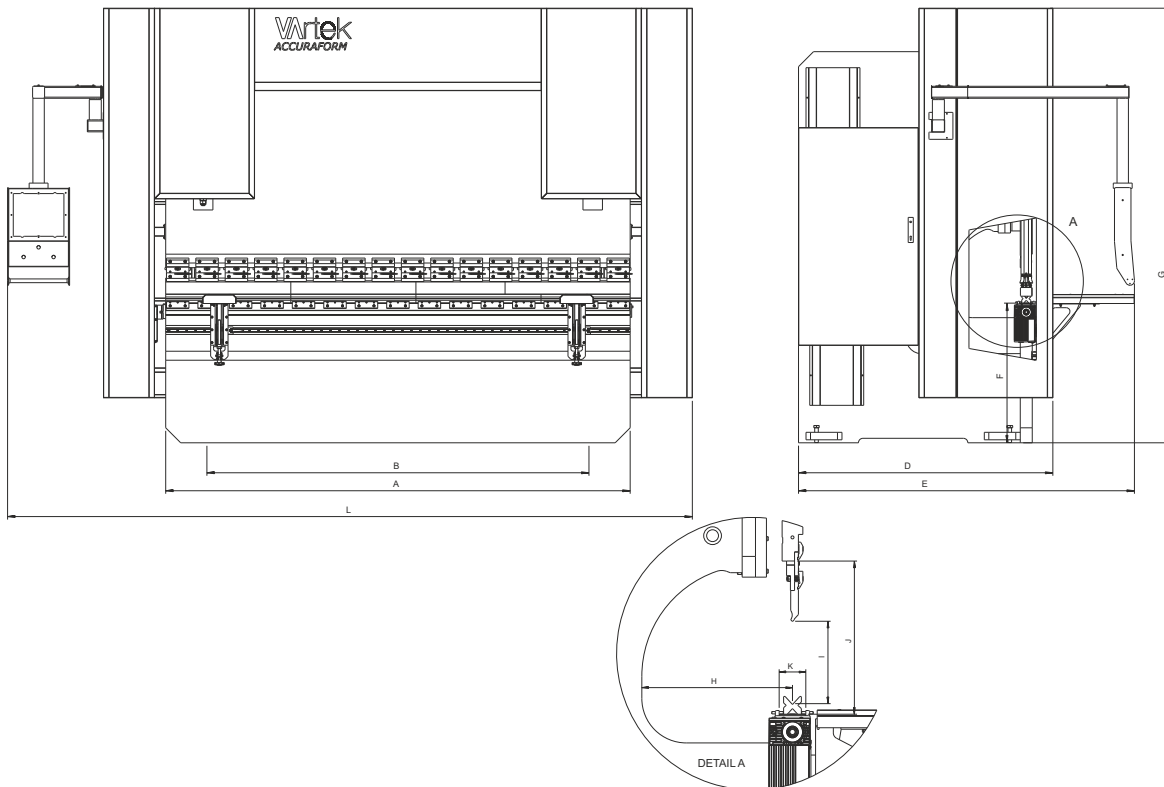
MODEL	Bending Length	Bending Force	Stroke	Daylight	Distance Between Frames	Y Axis Freefall Speed	Y Axis Bending Speed	Y Axis Return Speed	X Axis Stroke	R Axis Stroke	Bakgauge Speed	Main Motor	Oil Tank	Length	Width	Height	Transport Width	Throat Depth	Table Height	Table Width	Weight
	A		I	J	B									L	E	G	D	H	F	K	
	mm	Ton	mm	mm	mm	mm/sec	mm/sec	mm/sec	mm	mm	mm/sec	kW	Lt	mm	mm	mm	mm	mm	mm	mm	kg
2100-40	2100	40	140	380	1650	180	10	160	800	250	500	5,5	100	2950	1950	2200	1550	300	860	90	4100
2600-100	2600	100	280	520	2100	180	10	160	800	250	500	11	250	3450	2250	2830	1750	500	860	90	7250
2600-135	2600	135	280	520	2100	180	10	160	800	250	500	11	250	3450	2250	2830	1750	500	860	90	7750
3100-100	3100	100	280	520	2550	180	10	160	800	250	500	11	250	3900	2250	2830	1750	500	860	90	7850
3100-135	3100	135	280	520	2550	180	10	160	800	250	500	11	250	3900	2250	2830	1750	500	860	90	8100
3100-175	3100	175	280	520	2550	180	10	160	800	250	500	15	250	3950	2300	2900	1850	500	930	90	9850
3100-220	3100	220	280	520	2550	180	10	160	800	250	500	15	250	3950	2300	2900	1850	500	930	90	11250
3100-300	3100	300	300	540	2550	180	10	160	800	250	500	22	250	4000	2600	3050	2100	500	930	120	14250
3100-400	3100	400	330	590	2550	120	10	100	800	250	500	30	400	4050	2800	3300	2250	600	1030	120	20050
3700-135	3700	135	280	520	3100	180	10	160	800	250	500	11	250	4450	2250	2830	1750	500	860	90	9150
3700-175	3700	175	280	520	3100	180	10	160	800	250	500	15	250	4500	2300	2900	1850	500	930	90	11650
3700-220	3700	220	280	520	3100	180	10	160	800	250	500	15	250	4500	2300	2900	1850	500	930	90	12750
3700-300	3700	300	300	540	3100	180	10	160	800	250	500	22	250	4550	2600	3050	2100	500	930	120	15850
3700-400	3700	400	330	590	3100	120	10	100	800	250	500	30	400	4600	2800	3300	2250	600	1030	120	21650
4100-135	4100	135	280	520	3550	180	10	160	800	250	500	11	250	4900	2250	2830	1750	500	860	90	9950
4100-175	4100	175	280	520	3550	180	10	160	800	250	500	15	250	4950	2300	2900	1850	500	930	90	12250
4100-220	4100	220	280	520	3550	180	10	160	800	250	500	15	250	4950	2300	2900	1850	500	930	90	13750
4100-300	4100	300	300	540	3550	180	10	160	800	250	500	22	250	5000	2600	3050	2100	500	930	120	16450
4100-400	4100	400	330	590	3550	120	10	100	800	250	500	30	400	5100	2800	3300	2250	500	1030	120	22750
4270-135	4270	135	280	520	3550	180	10	160	800	250	500	11	250	4900	2250	2830	1750	500	860	90	10350
4270-175	4270	175	280	520	3550	180	10	160	800	250	500	15	250	4950	2300	2900	1850	500	930	90	12800
4270-220	4270	220	280	520	3550	180	10	160	800	250	500	15	250	4950	2300	2900	1850	500	930	90	13950
4270-300	4270	300	300	540	3550	180	10	160	800	250	500	22	250	5000	2600	3050	2100	500	930	120	17100
4270-400	4270	400	330	590	3550	120	10	100	800	250	500	30	400	5100	2800	3300	2250	600	1030	120	23350
6100-220	6100	220	280	520	5100	120	10	100	800	250	500	15	250	6850	2300	3050	1900	500	1050	120	19650
6100-300	6100	300	300	540	5100	100	8	100	800	250	500	22	250	6890	2600	3200	2100	500	1050	120	23750
6100-400	6100	400	330	590	5100	100	8	100	800	250	500	30	400	6800	2800	3400	2250	600	1100	120	30750



Any information and/or data can be changed by Vartek without prior notice

AccuraForm Tech Specs

MODEL	Bending Length	Bending Force	Stroke	Day light	Distance Between Frames	Y Axis Freefall Speed	Y Axis Bending Speed	Y Axis Return Speed	X Axis Stroke	R Axis Stroke	Bakgauge Speed	Main Motor	Oil Tank	Length	Width	Height	Throat Depth	Table Height	Table Width	Weight
	A		I	J	B									L	E	G	H	F	K	
	inch	Ton	inch	inch	inch	IPM	IPM	IPM	inch	inch	IPM	hp	gal	inch	inch	inch	inch	inch	inch	lbs
2100-40	83	44	6	15	65	425	24	378	31,5	10	1180	7	26	97	83	79	11,8	30,3	3,3	9020
2600-100	102	110	11	20	83	425	24	378	31,5	10	1180	10	40	130	89	103	19,7	33,5	3,3	15950
2600-135	102	149	11	20	83	425	24	378	31,5	10	1180	15	40	130	93	105	19,7	33,5	3,3	17050
3100-100	122	110	11	20	100	425	24	378	31,5	10	1180	10	40	148	89	103	19,7	33,5	3,3	17270
3100-135	122	149	11	20	100	425	24	378	31,5	10	1180	15	40	148	93	105	19,7	33,5	3,3	17820
3100-175	122	193	11	20	100	425	24	378	31,5	10	1180	15	40	149	94	114	19,7	36,2	3,3	21670
3100-220	122	242	11	20	100	425	24	378	31,5	10	1180	20	53	149	95	115	19,7	36,2	3,3	24750
3100-300	122	330	12	21	100	285	24	236	31,5	10	1180	29	79	150	106	117	19,7	36,2	5,9	31350
3100-400	122	440	13	22	100	236	19	236	31,5	10	591	40	106	157	112	129	23,6	40,6	7,9	44110
3700-135	146	149	11	20	122	425	24	378	31,5	10	1180	15	53	169	93	105	19,7	33,5	3,3	20130
3700-175	146	193	11	20	122	425	24	378	31,5	10	1180	15	53	170	94	114	19,7	36,2	3,3	25630
3700-220	146	242	11	20	122	425	24	378	31,5	10	1180	20	53	170	95	115	19,7	36,2	3,3	28050
3700-300	146	330	12	21	122	285	24	236	31,5	10	1180	29	79	172	106	117	19,7	36,2	5,9	34870
3700-400	146	440	13	22	122	236	19	236	31,5	10	591	40	106	176	112	132	23,6	40,6	7,9	47630
4100-135	161	149	11	20	140	425	24	378	31,5	10	1180	15	53	183	93	105	19,7	33,5	3,3	21890
4100-175	161	193	11	20	140	425	24	378	31,5	10	1180	15	53	184	94	112	19,7	36,2	3,3	26950
4100-220	161	242	11	20	140	425	24	378	31,5	10	1180	20	53	184	95	115	19,7	36,2	3,3	30250
4100-300	161	330	12	21	140	285	24	236	31,5	10	1180	29	79	185	106	117	19,7	36,2	5,9	36190
4100-400	161	440	13	22	140	236	19	236	31,5	10	591	40	106	196	112	136	23,6	40,6	7,9	50050
4270-135	168	149	11	20	140	425	24	378	31,5	10	1180	15	53	183	93	105	19,7	33,5	3,3	22770
4270-175	168	193	11	20	140	425	24	378	31,5	10	1180	15	53	184	94	114	19,7	36,2	3,3	28160
4270-220	168	242	11	20	140	425	24	378	31,5	10	1180	20	53	184	95	115	19,7	36,2	3,3	30690
4270-300	168	330	12	21	140	285	24	236	31,5	10	1180	29	79	185	106	117	19,7	36,2	5,9	37620
4270-400	168	440	13	22	140	236	19	236	31,5	10	591	40	106	196	112	136	23,6	40,6	7,9	51370
6100-220	240	242	11	20	201	285	24	236	31,5	10	1180	20	66	261	106	120	19,7	36,2	3,3	43230
6100-300	240	330	12	21	201	285	19	285	31,5	10	1180	29	79	261	107	128	19,7	36,2	5,9	52250
6100-400	240	440	13	22	201	236	19	236	31,5	10	1180	40	106	262	112	138	19,7	40,6	7,9	67650



Any information and/or data can be changed by Vartek without prior notice

6100x300 TON



TANDEM 6200x350 TON



ADVANCEFORM

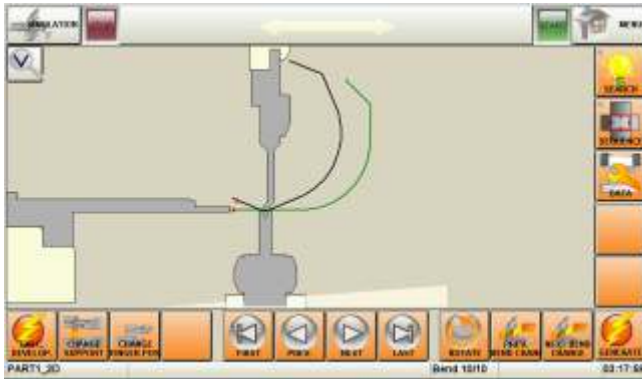
H Y D R A U L I C P R E S S B R A K E



AdvanceForm is designed and built for production environments that process high volume/low mix products. AdvanceForm shares the same modular structure with AccuraForm so customers purchasing AdvanceForm enjoy a rigid frame machined to 0,01 mm accuracy in single piece with a deep throat and high stroke/daylight that can form large format plates as well as deep box/panels.

Whether you want to form a part by air bending, bottoming or hemming, AdvanceForm's advanced angle calculation formula, precise servo hydraulic system and electronic linear scales ensure you get the right part every time.

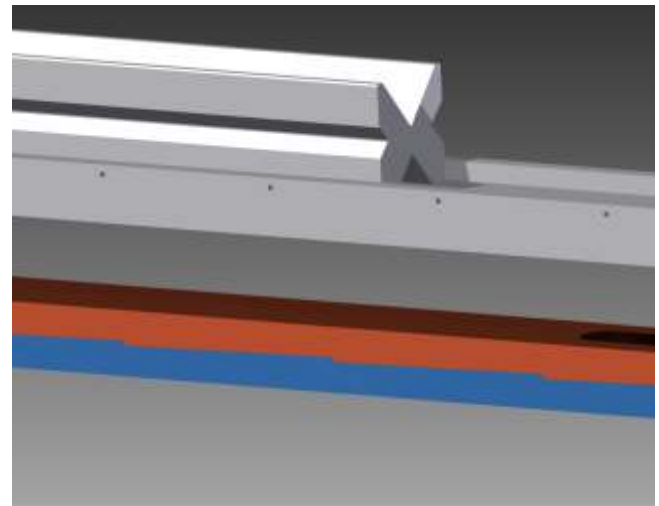
The editable material database on AdvanceForm lets you add as many material as you want and even allows you to enter the springback of the material so the control can autocorrect angles to compensate for springback.



AdvanceForm comes with NexT 2.0, a full fledged 2D graphic control with 15" touchscreen that is very easy to program and to run.

After you put in flange lengths and angles of the part you want to bend, NexT will tell you the exact dimension of the sheet you need to cut on your shear or laser cutting machine and will simulate the optimum bending sequence with minimum rotation of the part and avoiding any collision with tools or the machine.

AdvanceForm's hand operated bed crowning system ensures even angles along the full length of the bed and can be upgraded to CNC controlled bed crowning on request.



Servo driven two axis (X,R) backgauge runs on ballscrews for maximum precision. It has two precision machined gauging fingers that can be moved along the backgauge bar on linear guides.



State of the art hydraulics with servo proportional valves, honed and chrome covered cylinders with precision ground pistons and high quality seals ensure decades of trouble-free operation.

Auto start-stop function stops all the electric motors when the machine is left idle for a specified time and starts right back when the pedal or start button is pressed.

This feature not only reduces your electric bill and help save the environment but also prevents the hydraulic oil from reaching high temperatures therefore keeps the angles consistent from the start of the day to the end.



All NexT controls are equipped with remote diagnostic feature and in the unlikely event of an issue, our engineers can remotely connect to your machine and diagnose any issues you might have.

Standard Equipments

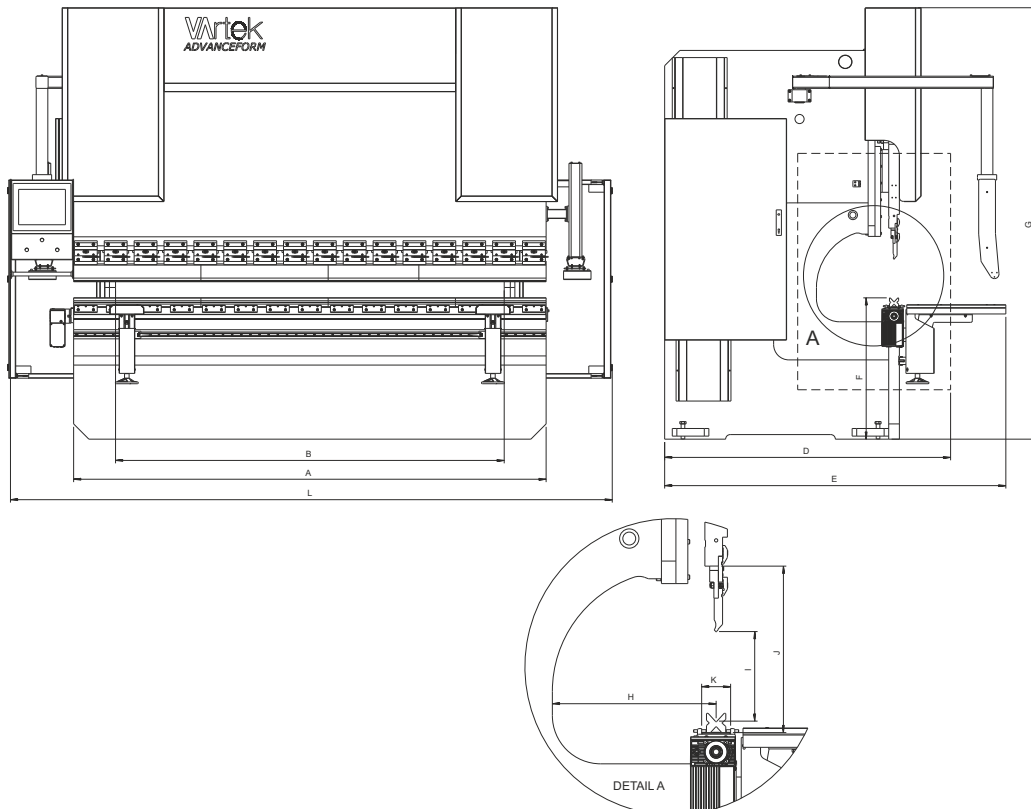
- Rigid frame designed on SolidWorks with stress and deflection analysis, welded by certified welders and machined to 0,01 mm precision in single piece.
- NexT 2.0 15" 2D graphic touchscreen control.
- Dependable servo hydraulic system provided by Hoerbieger.
- Honed, chrome covered cylinders with high precision ground pistons
- Y1-Y2 synchronized hydraulic cylinders running on dual ram guides on each side for smooth ascend and descend.
- 2 axis backgauge (X,R) running on ballscrews with servo motors to easily gauge parts.
- European and/or American style quick release punch clamps
- European die holder with quick change mechanism.
- Full length precision ground and hardened punch and 4V die set.
- Manual crowning of die bed for even angles along full length of bend.
- High stroke and daylight for deep box/panel bending.
- 500 mm throat depth to utilize full length and deep bends.
- High resolution linear scales with an accuracy of 0,01 mm for precise bending.
- Front support arms sliding on linear guides to easily gauge small parts.

Optional Equipments

- Front laser guards for finger protection.
- Automatic crowning of die bed for even angles along full length of bend.
- Custom design throat, stroke and daylight.
- Large selection of punches and dies.
- Tandem Preparation
- Automatic Lubrication System

AdvanceForm Tech Specs

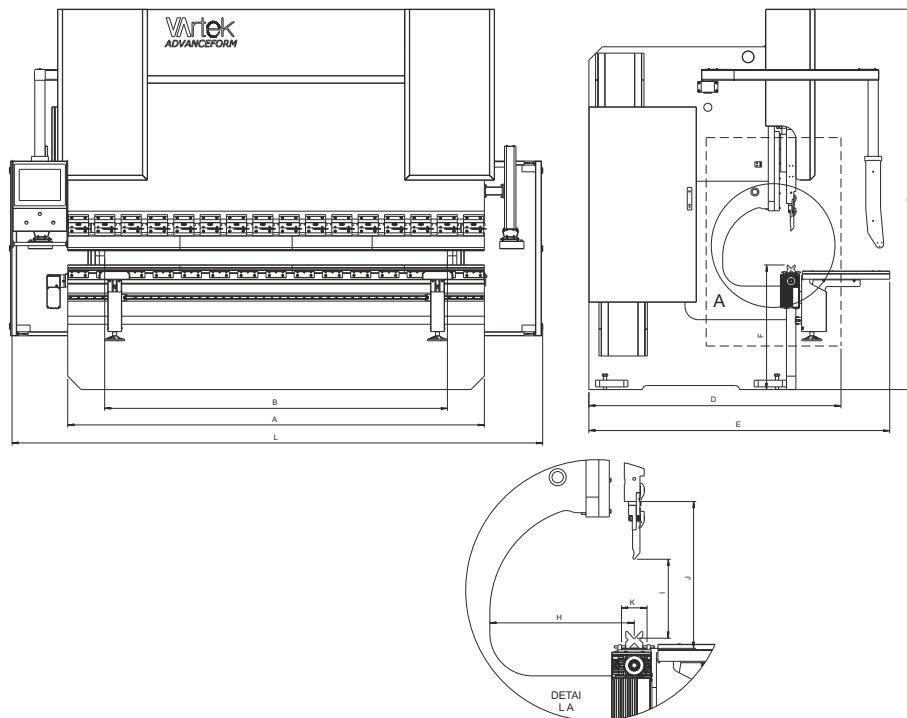
MODEL	Bending Length	Bending Force	Stroke	Daylight	Distance Between Frames	Y Axis Freefall Speed	Y Axis Bending Speed	Y Axis Return Speed	X Axis Stroke	R Axis Stroke	Backgauge Speed	Main Motor	Oil Tank	Length	Width	Height	Transport Width	Throat Depth	Table Height	Table Width	Weight	
	A	I	J	B	B	mm/sec	mm/sec	mm/sec	mm	mm	mm/sec	kW	Lt	L	E	G	D	H	F	K		
	mm	Ton	mm	mm	mm	mm/sec	mm/sec	mm/sec	mm	mm	mm/sec	kW	Lt	mm	mm	mm	mm	mm	mm	mm	mm	kg
1500-40	1500	40	140	380	1250	180	10	160	800	250	500	5.5	100	2550	1950	2200	1550	300	860	90	3300	
2100-40	2100	40	140	380	1650	180	10	160	800	250	500	5.5	100	2950	1950	2200	1550	300	860	90	4100	
2100-60	2100	60	140	420	1650	180	10	160	800	250	500	5.5	100	2980	2250	2350	1550	400	860	90	4400	
2600-100	2600	100	280	520	2100	180	10	160	800	250	500	11	250	3450	2250	2830	1750	500	860	90	7250	
2600-135	2600	135	280	520	2100	180	10	160	800	250	500	11	250	3450	2250	2830	1750	500	860	90	7750	
3100-100	3100	100	280	520	2550	180	10	160	800	250	500	11	250	3900	2250	2830	1750	500	860	90	7850	
3100-135	3100	135	280	520	2550	180	10	160	800	250	500	11	250	3900	2250	2830	1750	500	860	90	8100	
3100-175	3100	175	280	520	2550	180	10	160	800	250	500	15	250	3950	2300	2900	1850	500	930	90	9850	
3100-220	3100	220	280	520	2550	180	10	160	800	250	500	15	250	3950	2300	2900	1850	500	930	90	11250	
3100-300	3100	300	300	540	2550	180	10	160	800	250	500	22	250	4000	2600	3050	2100	500	930	120	14250	
3100-400	3100	400	330	590	2550	120	10	100	800	250	500	30	400	4050	2800	3300	2250	600	1030	120	20050	
3700-135	3700	135	280	520	3100	180	10	160	800	250	500	11	250	4450	2250	2830	1750	500	860	90	9150	
3700-175	3700	175	280	520	3100	180	10	160	800	250	500	15	250	4500	2300	2900	1850	500	930	90	11650	
3700-220	3700	220	280	520	3100	180	10	160	800	250	500	15	250	4500	2300	2900	1850	500	930	90	12750	
3700-300	3700	300	300	540	3100	180	10	160	800	250	500	22	250	4550	2600	3050	2100	500	930	120	15850	
3700-400	3700	400	330	590	3100	120	10	100	800	250	500	30	400	4600	2800	3300	2250	600	1030	120	21650	
4100-135	4100	135	280	520	3550	180	10	160	800	250	500	11	250	4900	2250	2830	1750	500	860	90	9950	
4100-175	4100	175	280	520	3550	180	10	160	800	250	500	15	250	4950	2300	2900	1850	500	930	90	12250	
4100-220	4100	220	280	520	3550	180	10	160	800	250	500	15	250	4950	2300	2900	1850	500	930	90	13750	
4100-300	4100	300	300	540	3550	180	10	160	800	250	500	22	250	5000	2600	3050	2100	500	930	120	16450	
4100-400	4100	400	330	590	3550	120	10	100	800	250	500	30	400	5100	2800	3300	2250	500	1030	120	22750	
4270-135	4270	135	280	520	3550	180	10	160	800	250	500	11	250	4900	2250	2830	1750	500	860	90	10350	
4270-175	4270	175	280	520	3550	180	10	160	800	250	500	15	250	4950	2300	2900	1850	500	930	90	12800	
4270-220	4270	220	280	520	3550	180	10	160	800	250	500	15	250	4950	2300	2900	1850	500	930	90	13950	
4270-300	4270	300	300	540	3550	180	10	160	800	250	500	22	250	5000	2600	3050	2100	500	930	120	17100	
4270-400	4270	400	330	590	3550	120	10	100	800	250	500	30	400	5100	2800	3300	2250	600	1030	120	23350	
6100-220	6100	220	280	520	5100	120	10	100	800	250	500	15	250	6850	2300	3050	1900	500	1050	120	19650	
6100-300	6100	300	300	540	5100	100	8	100	800	250	500	22	250	6890	2600	3200	2100	500	1050	120	23750	
6100-400	6100	400	330	590	5100	100	8	100	800	250	500	30	400	6800	2800	3400	2250	600	1100	120	30750	



Any information and/or data can be changed by Vartek without prior notice

AdvanceForm Tech Specs

MODEL	Bending Length	Bending Force	Stroke	Daylight	Distance Between Frames	Y Axis Freefall Speed	Y Axis Bending Speed	Y Axis Return Speed	X Axis Stroke	R Axis Stroke	Backgauge Speed	Main Motor	Oil Tank	Length	Width	Height	Throat Depth	Table Height	Table Width	Weight	
	A	I	J	B										L	E	G	H	F	K		
	inch	Ton	inch	inch	inch	IPM	IPM	IPM	inch	inch	IPM	hp	gal	inch	inch	inch	inch	inch	inch	inch	lbs
1500-40	59	44	6	16	49	425	24	378	31,5	10	1180	7	26	92	83	79	11,8	30,3	3,3	7260	
2100-40	83	44	6	16	65	425	24	378	31,5	10	1180	7	26	97	83	79	11,8	30,3	3,3	9020	
2600-100	102	110	11	21	83	425	24	378	31,5	10	1180	10	40	130	89	103	19,7	33,5	3,3	15950	
2600-135	102	149	11	21	83	425	24	378	31,5	10	1180	15	40	130	93	105	19,7	33,5	3,3	17050	
3100-100	122	110	11	21	100	425	24	378	31,5	10	1180	10	40	148	89	103	19,7	33,5	3,3	17270	
3100-135	122	149	11	21	100	425	24	378	31,5	10	1180	15	40	148	93	105	19,7	33,5	3,3	17820	
3100-175	122	193	11	21	100	425	24	378	31,5	10	1180	15	40	149	94	114	19,7	36,2	3,3	21670	
3100-220	122	242	11	21	100	425	24	378	31,5	10	1180	20	53	149	95	115	19,7	36,2	3,3	24750	
3100-300	122	330	12	22	100	285	24	236	31,5	10	1180	29	79	150	106	117	19,7	36,2	5,9	31350	
3100-400	122	440	13	23	100	236	19	236	31,5	10	591	40	106	157	112	129	23,6	40,6	7,9	44110	
3700-135	146	149	11	21	122	425	24	378	31,5	10	1180	15	53	169	93	105	19,7	33,5	3,3	20130	
3700-175	146	193	11	21	122	425	24	378	31,5	10	1180	15	53	170	94	114	19,7	36,2	3,3	25630	
3700-220	146	242	11	21	122	425	24	378	31,5	10	1180	20	53	170	95	115	19,7	36,2	3,3	28050	
3700-300	146	330	12	22	122	285	24	236	31,5	10	1180	29	79	172	106	117	19,7	36,2	5,9	34870	
3700-400	146	440	13	23	122	236	19	236	31,5	10	591	40	106	176	112	132	23,6	40,6	7,9	47630	
4100-135	161	149	11	21	140	425	24	378	31,5	10	1180	15	53	183	93	105	19,7	33,5	3,3	21890	
4100-175	161	193	11	21	140	425	24	378	31,5	10	1180	15	53	184	94	112	19,7	36,2	3,3	26950	
4100-220	161	242	11	21	140	425	24	378	31,5	10	1180	20	53	184	95	115	19,7	36,2	3,3	30250	
4100-300	161	330	12	22	140	285	24	236	31,5	10	1180	29	79	185	106	117	19,7	36,2	5,9	36190	
4100-400	161	440	13	23	140	236	19	236	31,5	10	591	40	106	196	112	136	23,6	40,6	7,9	50050	
4270-135	168	149	11	21	140	425	24	378	31,5	10	1180	15	53	183	93	105	19,7	33,5	3,3	22770	
4270-175	168	193	11	21	140	425	24	378	31,5	10	1180	15	53	184	94	114	19,7	36,2	3,3	28160	
4270-220	168	242	11	21	140	425	24	378	31,5	10	1180	20	53	184	95	115	19,7	36,2	3,3	30690	
4270-300	168	330	12	22	140	285	24	236	31,5	10	1180	29	79	185	106	117	19,7	36,2	5,9	37620	
4270-400	168	440	13	23	140	236	19	236	31,5	10	591	40	106	196	112	136	23,6	40,6	7,9	51370	
6100-220	240	242	11	21	201	285	24	236	31,5	10	1180	20	66	261	106	120	19,7	36,2	3,3	43230	
6100-300	240	330	12	22	201	285	19	285	31,5	10	1180	29	79	261	107	128	19,7	36,2	5,9	52250	
6100-400	240	440	13	23	201	236	19	236	31,5	10	1180	40	106	262	112	138	23,6	40,6	7,9	67650	



Any information and/or data can be changed by Vartek without prior notice

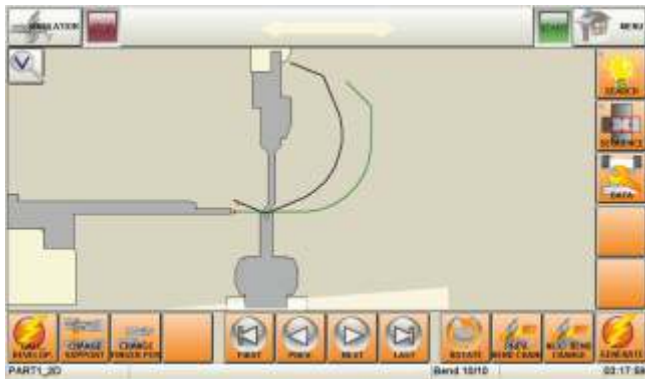
BASICFORM

HYDRAULIC PRESS BRAKE



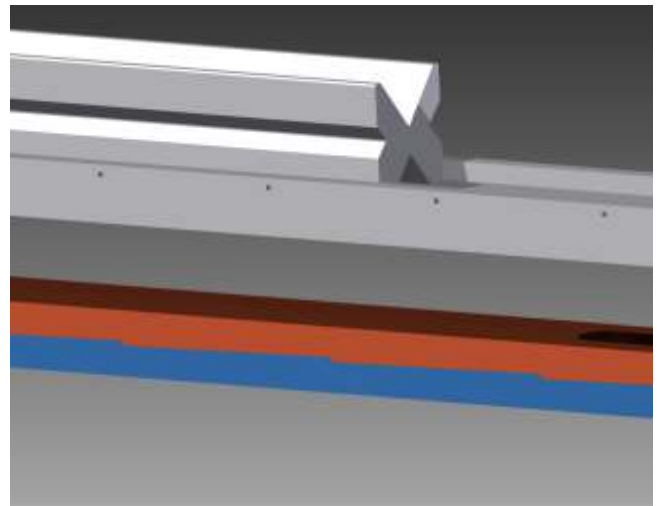
BasicForm is designed and built for customers who process simple parts and do not need to run their press brake for more than a couple of hours a day. Easy to use control and simple operation of EasyForm makes it convenient for customers who require a budget solution for their simple bending requirements.

BasicForm is an entry level press brake but by sharing the same modular structure with AdvanceForm, it makes no compromise on quality, consistency and dependability. Customers that choose BasicForm will enjoy a large throat depth, high stroke and daylight for deep box bendings, dependable hydraulic system and high precision linear scale system.



Next 1.0 shot BasicForm comes with NexT 1.0, easiest press brake control you can find in the market for basic forming needs. In a single, well designed screen, you can input all your flange lengths and angles to create a part program. It literally takes seconds to bend a part on BasicForm thanks to NexT 1.0. Graphic tool library and graphical visualization of the part enables NexT 1.0 to avoid collision of the part with the tools.

BasicForm can be equipped with a hand operated bed crowning system on demand that ensures even angles along the full length of the bed.



A single axis (X) backgauge running on ballscrews helps you to gauge your part precisely. It has two precision machined gauging fingers that can be moved along the backgauge bar and the height of the fingers can also be adjusted manually.



State of the art hydraulics with servo proportional valves, honed and chrome covered cylinders with precision ground pistons and high quality seals ensure decades of trouble-free operation.

Auto start-stop function stops all the electric motors when the machine is left idle for a specified time and starts right back when the pedal or start button is pressed.

This feature not only reduces your electric bill and help save the environment but also prevents the hydraulic oil from reaching high temperatures therefore keeps the angles consistent from the start of the day to the end.



All NexT controls are equipped with remote diagnostic feature and in the unlikely event of an issue, our engineers can remotely connect to your machine and diagnose any issues you might have.

Standard Equipments

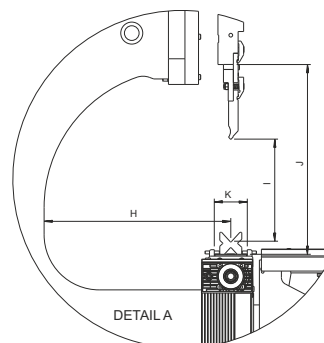
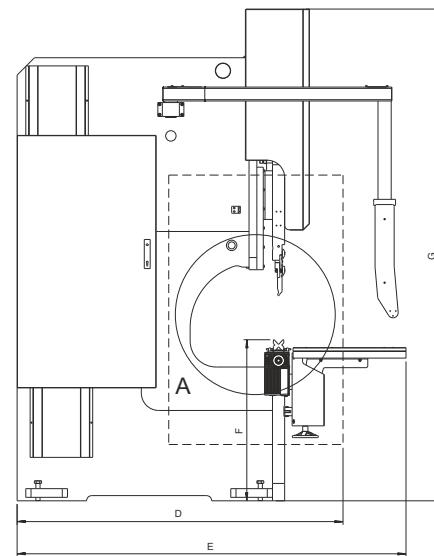
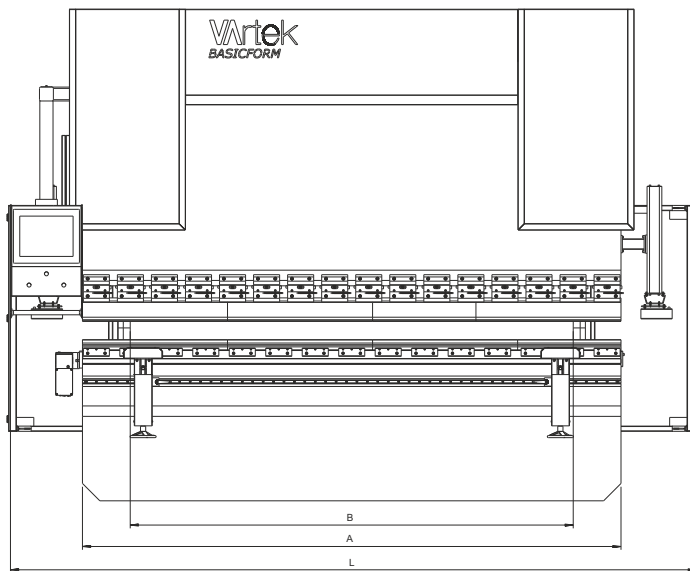
- Rigid frame designed on SolidWorks with stress and deflection analysis, welded by certified welders and machined to 0,01 mm precision in single piece.
- NexT 1.0 10" touchscreen control with 2D visualization.
- Dependable servo hydraulic system.
- Honed, chrome covered cylinders with high precision ground pistons
- Y1-Y2 synchronized hydraulic cylinders running on dual ram guides on each side for smooth ascend and descend.
- Single axis backgauge (X) with manual height adjustment, running on ballscrews for maximum accuracy .
- European and/or American style quick release punch clamps
- European die holder with quick change mechanism.
- Full length precision ground and hardened punch and 4V die set.
- High stroke and daylight for deep box/panel bending.
- 500 mm throat depth to utilize full length and deep bends.
- High resolution linear scales with an accuracy of 0,01 mm for precise bending.
- Front support arms sliding on linear guides to easily gauge small parts.

Optional Equipments

- Front laser guards for finger protection.
- Manual crowning of die bed for even angles along full length of bend.
- Automatic crowning of die bed for even angles along full length of bend.
- Custom design throat, stroke and daylight.
- Large selection of punches and dies.

BasicForm Tech Specs

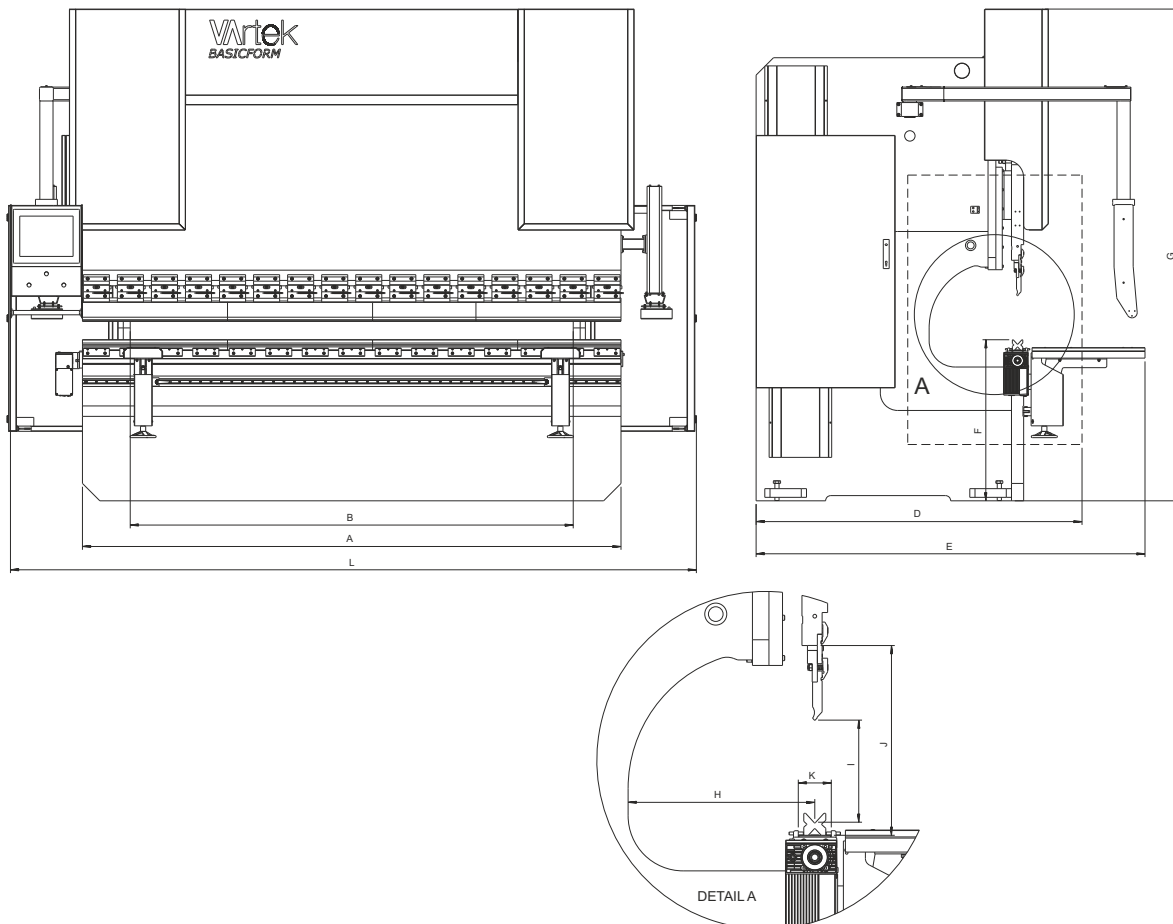
MODEL	Bending Length	Bending Force	Stroke	Daylight	Distance Between Frames	Y Axis Freefall Speed	Y Axis Bending Speed	Y Axis Return Speed	X Axis Stroke	Bakgauge Speed	Main Motor	Oil Tank	Length	Width	Height	Transport Width	Throat Depth	Table Height	Table Width	Weight
	A		I	J	B								L	E	G	D	H	F	K	
	mm	Ton	mm	mm	mm	mm/sec	mm/sec	mm/sec	mm	mm/sec	kW	Lt	mm	mm	mm	mm	mm	mm	mm	kg
1500-40	1500	40	140	380	1250	180	10	160	800	250	5,5	100	2550	1950	2200	1550	300	860	90	3300
2100-40	2100	40	140	380	1650	180	10	160	800	250	5,5	100	2950	1950	2200	1550	300	860	90	4050
2100-60	2100	60	140	420	1650	180	10	160	800	250	5,5	100	2980	2250	2350	1550	400	860	90	4400
2600-100	2600	100	280	520	2100	180	10	160	800	250	11	250	3450	2250	2830	1750	500	860	90	7250
2600-135	2600	135	280	520	2100	180	10	160	800	250	11	250	3450	2250	2830	1750	500	860	90	7750
3100-100	3100	100	280	520	2550	180	10	160	800	250	11	250	3900	2250	2830	1750	500	860	90	7850
3100-135	3100	135	280	520	2550	180	10	160	800	250	11	250	3900	2250	2830	1750	500	860	90	8100
3100-175	3100	175	280	520	2550	180	10	160	800	250	15	250	3950	2300	2900	1850	500	930	90	9850
3100-220	3100	220	280	520	2550	180	10	160	800	250	15	250	3950	2300	2900	1850	500	930	90	11250
3100-300	3100	300	300	540	2550	180	10	160	800	250	22	250	4000	2600	3050	2100	500	930	120	14250
3700-135	3700	135	280	520	3100	180	10	160	800	250	11	250	4450	2250	2830	1750	500	860	90	9150
3700-175	3700	175	280	520	3100	180	10	160	800	250	15	250	4500	2300	2900	1850	500	930	90	11650
3700-220	3700	220	280	520	3100	180	10	160	800	250	15	250	4500	2300	2900	1850	500	930	90	12750
3700-300	3700	300	300	540	3100	180	10	160	800	250	22	250	4550	2600	3050	2100	500	930	120	15850



Any information and/or data can be changed by Vartek without prior notice

BasicForm Tech Specs

MODEL	Bending Length	Bending Force	Stroke	Daylight	Distance Between Frames	Y Axis Freefall Speed	Y Axis Bending Speed	Y Axis Return Speed	X Axis Stroke	Bakgauge Speed	Main Motor	Oil Tank	Length	Width	Height	Throat Depth	Table Height	Table Width	Weight
	A	I	J	B									L	E	G	H	F	K	
	inch	Ton	inch	inch	inch	IPM	IPM	IPM	inch	IPM	hp	gal	inch	inch	inch	inch	inch	inch	lbs
1500-40	59	44	6	16	49	425	24	378	31,5	591	7	26	92	83	79	11,8	30,3	3,3	7260
2100-40	83	44	6	16	65	425	24	378	31,5	591	7	26	97	83	79	11,8	30,3	3,3	8910
2600-100	102	110	11	21	83	425	24	378	31,5	591	10	40	130	89	103	19,7	33,5	3,3	15950
2600-135	102	149	11	21	83	425	24	378	31,5	591	15	40	130	93	105	19,7	33,5	3,3	17050
3100-100	122	110	11	21	100	425	24	378	31,5	591	10	40	148	89	103	19,7	33,5	3,3	17270
3100-135	122	149	11	21	100	425	24	378	31,5	591	15	40	148	93	105	19,7	33,5	3,3	17820
3100-175	122	193	11	21	100	425	24	378	31,5	591	15	40	149	94	114	19,7	36,2	3,3	21670
3100-220	122	242	11	21	100	425	24	378	31,5	591	20	53	149	95	115	19,7	36,2	3,3	24750
3100-300	122	330	11	21	100	285	24	285	31,5	591	29	79	150	106	117	19,7	36,2	5,9	31350
3700-135	146	149	11	21	122	425	24	378	31,5	591	15	53	169	93	105	19,7	33,5	3,3	20330
3700-175	146	193	11	21	122	425	24	378	31,5	591	15	53	170	94	114	19,7	36,2	3,3	25630
3700-220	146	242	11	21	122	425	24	378	31,5	591	20	53	170	95	115	19,7	36,2	3,3	28050
3700-300	146	330	11	21	122	285	24	285	31,5	591	29	79	172	106	117	19,7	36,2	5,9	34870



Any information and/or data can be changed by Vartek without prior notice

PRIMACUT

HYDRAULIC GUILLOTINE SHEAR



PrimaCut is designed and built for customers who require precision and versatility from a shear. It is a heavy duty shear with a very strong, rigid frame that performs admirably both in maximum and minimum capacity thanks to its automatic cutting angle adjustment and automatic blade clearance.

Its heavy frame and powerful hydraulic system allows PrimaCut to cut maximum thickness at very low pressure and this leads to decades of trouble free operation due to prolonged life time of hydraulic components.



PrimaCut's easy to use and capable control Cybelec Cybtouch 8 lets you to enter all the information in one screen and start cutting your material right away. You can also create multistep programs with different backgauge stroke if needed.

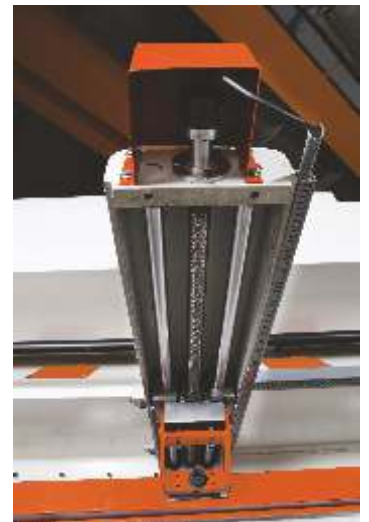


Automatic lubrication system lubricates moving parts at a specified number of strokes and prolongs the life time of critical components.



Blade gap and cutting angle are automatically adjusted when you enter the thickness of the material on Cybtouch 8 control. Cutting stroke is also automatically adjusted when you enter the length of the plate.

PrimaCut's backgauge has 1000 mm stroke and runs on ballscrews for maximum precision.



Squaring arm and front support arms, cutting table with roller balls and illuminated cutting line makes it very easy to handle the plate to be cut

Standard Equipments

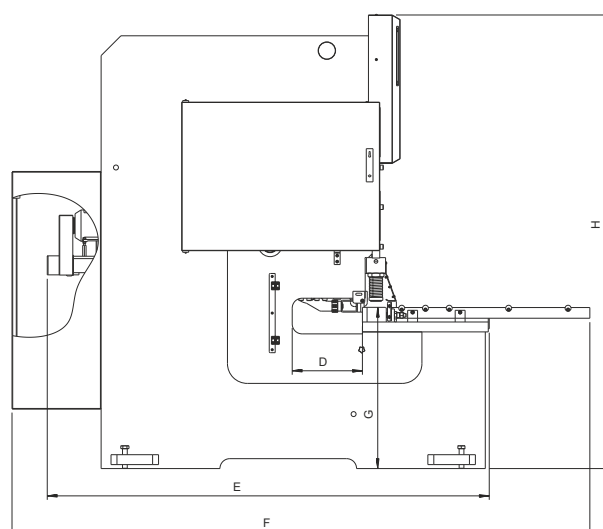
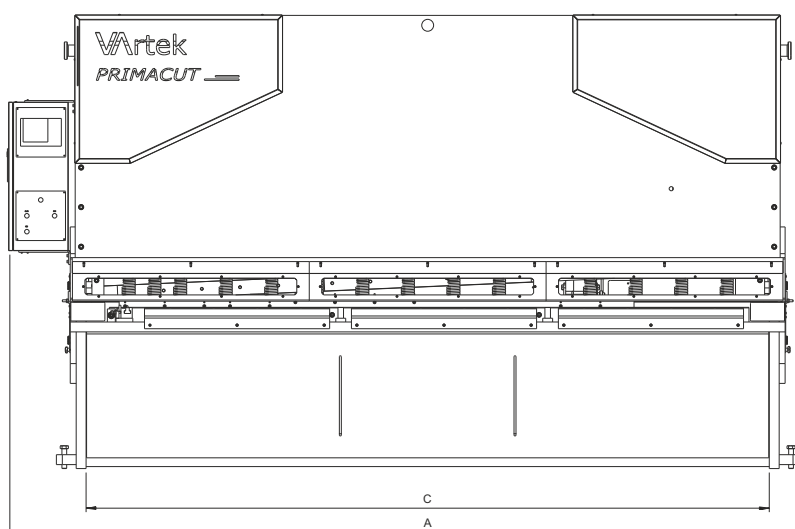
- Rigid frame designed on SolidWorks with stress and deflection analysis, welded by certified welders and machined to 0,01 mm precision in single piece.
- Hardened&Ground cutting blades in sections.(Bottom 4 sided, top 2 sided)
- Cybelec Cybtouch 8 controller with EasyCut feature.
- 1000 mm backgauge running on ballscrews with swing away feature
- 1000 mm squaring arm and front support arms
- Sheet sliding panels at the back
- Hoerbieger Hydraulic System
- Siemens electrical system
- Hydraulic hold downs
- Illuminated cutting line
- Automatic Blade Gap Adjustment system
- Automatic Stroke adjustment
- Automatic cutting angle
- Automatic Lubrication System

Optional Equipments

- Pneumatic Sheet Support System at the back (to support thin sheets during cutting)
- Sheet Conveyor and Stacking System
- Oil Cooler and Oil Heater
- Light Barriers on the front for finger protection
- Laser Cutting Line
- Front Angle Gauge for tapered cuts

PrimaCut Tech Specs

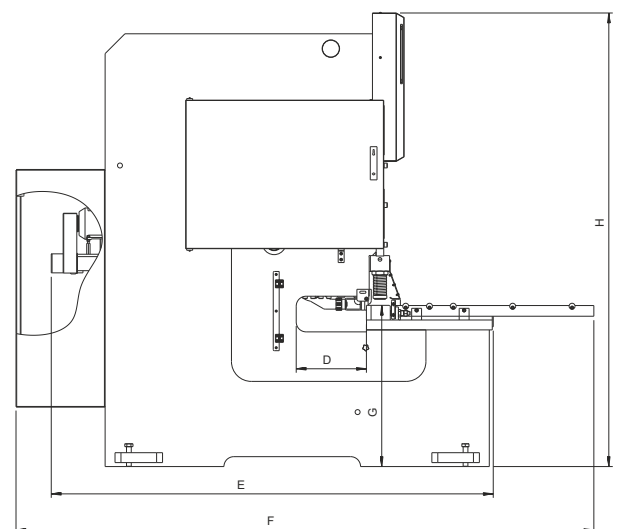
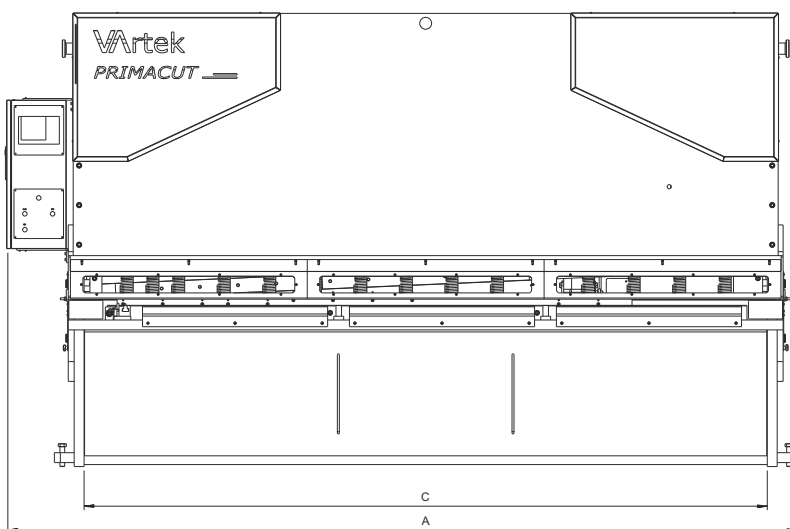
MODEL	Cutting Angle	Cutting Length	Max. Cutting Capacity	Stroke per Minute	Length	Width	Height	Total Width	Throat Depth	Working Height	Number of Holddown	Backgauge Speed	Motor	Oil Tank	Weight
	(°)	mm	mm	1/min	mm	mm	mm		mm	mm	pcs	mm/sec	kW	Lt	kg
2606	0,5°-2,5°	2600	6	15...20	3500	2100	2200	2950	350	790	13	200	11	150	6450
3106	0,5°-2,5°	3100	6	14...18	4000	2100	2200	2950	350	790	15	200	11	150	7500
3110	0,5°-2,5°	3100	10	12...16	4050	2250	2190	3000	350	815	15	200	22	300	10250
3113	0,5°-2,5°	3100	13	12...16	4050	2250	2250	3000	350	815	15	200	22	400	12000
3116	0,5°-2,5°	3100	16	8...12	4150	2350	2480	3100	350	880	15	200	30	500	18000
3120	0,5°-2,5°	3100	20	6...10	4200	2430	2790	3250	350	1000	15	200	37	500	24500
3125	0,5°-2,5°	3100	25	4...9	4200	2480	2830	3250	350	1000	19	200	55	600	28250
4106	0,5°-2,5°	4100	6	13...19	5000	2100	2280	2950	350	790	19	200	11	300	9750
4110	0,5°-2,5°	4100	10	10...16	5050	2250	2230	3000	350	815	19	200	22	300	12650
4113	0,5°-2,5°	4100	13	10...16	5050	2250	2330	3000	350	815	19	200	22	400	14650
4116	0,5°-2,5°	4100	16	6...11	5150	2350	2600	3100	350	880	19	200	30	500	22000
4120	0,5°-2,5°	4100	20	5...9	5200	2430	2890	3250	350	1100	32	200	37	500	27150
6106	0,5°-2,5°	6100	6	8...12	7000	2200	2350	3000	350	790	32	200	15	300	17500
6110	0,5°-2,5°	6100	10	7...10	7050	2350	2440	3100	350	815	32	200	30	300	26500
6113	0,5°-2,5°	6100	13	7...10	7050	2350	2440	3100	350	815	32	200	30	400	28500
6116	0,5°-2,5°	6100	16	4...9	7150	2500	2750	3250	350	880	32	200	37	500	33500
6120	0,5°-2,5°	6100	20	3...8	7200	2550	3150	3350	350	1100	32	200	45	500	41750



Any information and/or data can be changed by Vartek without prior notice

PrimaCut Tech Specs

MODEL	Cutting Angle	Cutting Length	Max. Cutting Capacity	Stroke per Minute	Length	Width	Height	Throat Depth	Working Height	Number of Holddown	Backgauge Speed	Motor	Oil Tank	Weight
	(°)	inch	60000 psi	1/min	A	F	H	D	G	pcs	IPM	hp	gal	lbs
2606	0,5°-2,5°	102	1/4	20 - 35	130	104	85	14	31	12	472	15	40	14190
3106	0,5°-2,5°	122	1/4	18 - 32	161	104	85	14	31	15	472	15	40	16500
3110	0,5°-2,5°	122	3/8	14 - 25	159	106	90	14	32	15	472	29	79	22550
3113	0,5°-2,5°	122	1/2	12 - 23	159	106	90	14	32	15	472	29	106	26400
3116	0,5 - 2°	122	5/8	10 - 20	161	114	97	14	35	15	472	40	132	39600
3120	0,5 - 2°	122	3/4	9 - 16	162	121	100	14	35	15	472	50	132	53900
3125	0,5°-2,5°	122	1	7 - 13	156	112	110	14	39	19	472	74	159	62150
4106	0,5°-2,5°	161	1/4	16 - 25	202	105	85	14	31	19	472	15	79	21450
4110	0,5°-2,5°	161	3/8	12 - 22	194	106	90	14	32	19	472	29	79	27830
4113	0,5°-2,5°	161	1/2	11 - 20	195	107	96	14	32	19	472	29	106	32230
4116	0,5 - 2°	161	5/8	9 - 18	199	114	97	14	35	19	472	40	132	48400
4120	0,5 - 2°	161	3/4	6 - 12	200	121	100	14	35	19	472	50	132	59730
6106	0,5°-2,5°	240	1/4	13 - 19	280	105	85	14	31	32	472	20	79	38500
6110	0,5°-2,5°	240	3/8	11 - 17	274	106	90	14	32	32	472	40	79	58300
6113	0,5 - 2°	240	1/2	7 - 11	282	106	90	14	38	32	472	40	106	62700
6116	0,5 - 2°	240	5/8	8 - 14	279	114	97	14	39	32	472	50	132	73700
6120	0,5 - 2°	240	3/4	5 - 10	281	121	100	14	41	32	472	60	132	91850



Any information and/or data can be changed by Vartek without prior notice

6100x6 MM



3100x20 MM



ECOCUT

HYDRAULIC SWING BEAM SHEAR



EcoCut is designed and built for customers who require a dependable, swing beam type shear with a good price/performance ratio.

EcoCut's simple control, automatic blade gap adjustment system, 1000 mm backgauge with swing away feature makes it an easy to run, all-around shear.

EcoCut does not compromise even in 6 mm capacity model by offering a rigid frame with standard throat depth.



EcoCut's user friendly touchscreen control lets you program your backgauge and automatically adjusts the blade gap in one simple-designed working page.

EcoCut's backgauge has 1000 mm stroke with swing away functionality and runs on ballscrews for maximum precision.



Blade gap is automatically adjusted when you enter the thickness of the material on the control. Cutting stroke is also automatically adjusted when you enter the length of the plate.

Squaring arm and front support arms, cutting table with roller balls and illuminated cutting line makes it very easy to handle the plate to be cut.



Standard Equipments

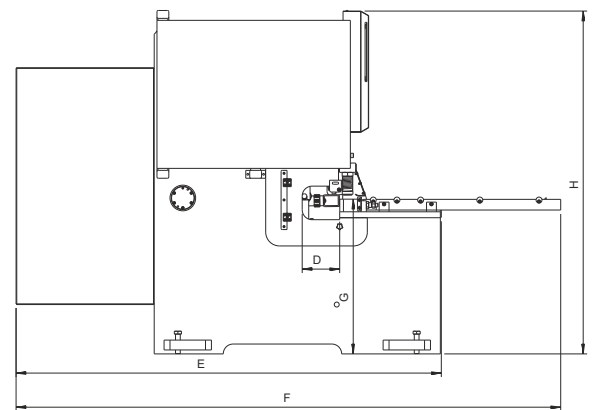
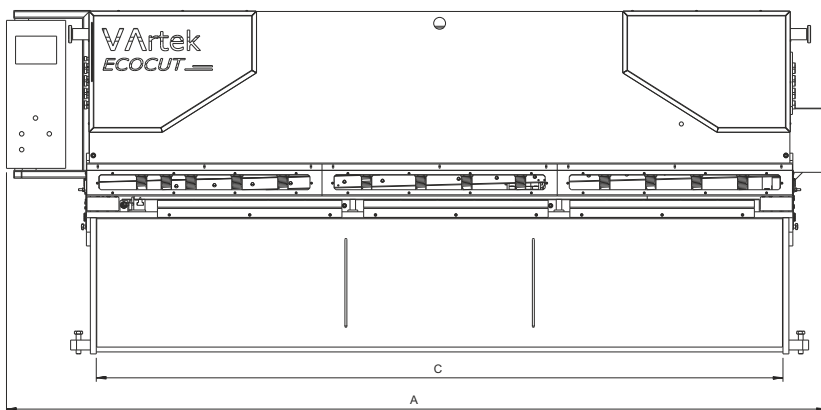
- Rigid frame designed on SolidWorks with stress and deflection analysis, welded by certified welders and machined to 0,01 mm precision in single piece.
- Hardened&Ground cutting blades in sections.(4 sided lower blade, 2 sided upper blade)
- Touchscreen controller with EasyCut feature.
- 1000 mm backgauge running on ballscrews with swing away feature
- 1000 mm squaring arm and front support arms
- Sheet sliding panels at the back
- Hoerbieger Hydraulic System
- Siemens electrical system
- Hydraulic hold downs
- Illuminated cutting line
- Automatic Blade Gap Adjustment system
- Automatic Stroke adjustment

Optional Features

- Pneumatic Sheet Support System at the back (to support thin sheets during cutting)
- Sheet Conveyor and Stacking System
- Oil Cooler and Oil Heater
- Light Barriers on the front for finger protection
- Laser Cutting Line
- Front Angle Gauge for tapered cuts

EcoCut Tech Specs

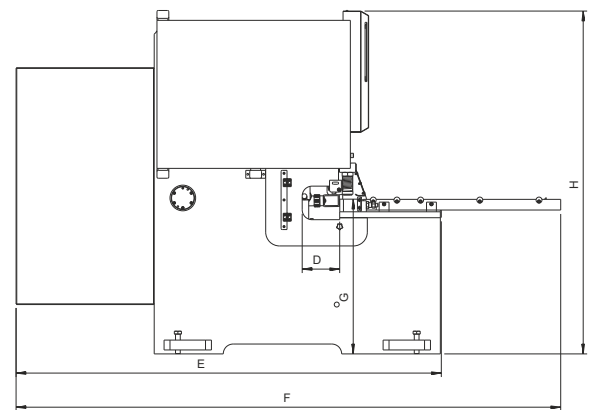
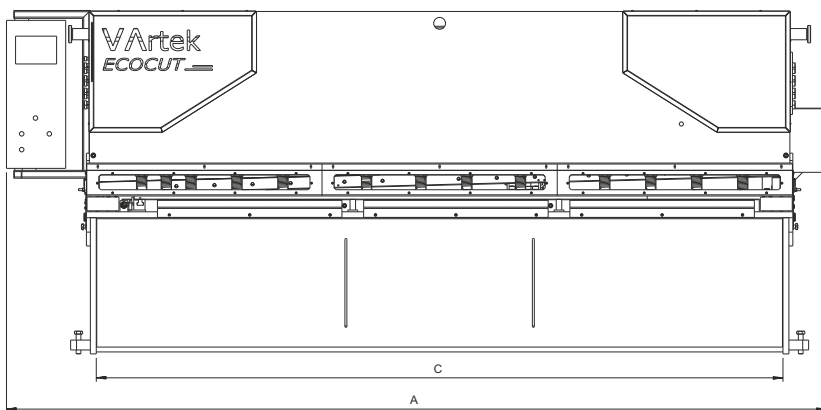
MODEL	Cutting Angle	Cutting Length	Max. Cutting Capacity	Stroke per Minute	Length	Width	Height	Total Width	Throat Depth	Working Height	Distance Between legs	Number of holddowns	Motor	Backgauge Speed	Oil Tank	Weight
	(°)	mm	mm	l/min	mm	mm	mm	mm	mm	mm	mm	pcs	kW	mm/sec	Lt	kg
2606	1,5°	2600	6	18	3700	2200	1800	2800	190	790	2800	12	11	200	150	5300
3106	1,5°	3100	6	16	4200	2200	1800	2800	190	790	3480	15	11	200	150	6250
3110	2°	3100	10	14	4050	2450	2100	3000	300	805	3300	15	22	200	300	9800
3113	2,3°	3100	13	12	4050	2450	2100	3000	300	805	3300	15	22	200	400	11850
4106	1,5°	4100	6	16	5200	2200	1900	2800	190	790	4480	19	11	200	150	8250
4110	2°	4100	10	12	5050	2450	2200	3000	300	805	4300	19	22	200	300	12450
4113	2,3°	4100	13	10	5050	2450	2200	3000	300	805	4300	19	22	200	400	13750



Any information and/or data can be changed by Vartek without prior notice

EcoCut Tech Specs

MODEL	Cutting Angle	Cutting Length	Max. Cutting Capacity	Stroke per Minute	Length	Width	Height	Total Width	Throat Depth	Working Height	Distance Between legs	Number of holddowns	Motor	Backgauge Speed	Oil Tank	Weight
	(°)	inch	inch	1/min	inch	inch	inch	inch	inch	inch	inch	pcs	hp	IPM	gal	lbs
			60000 psi		A	F	H	E	D	G	C					
2606	1,5°	102	1/4	18	135	105	70	82	7	31	110	12	15	472	40	11660
3106	1,5°	122	1/4	16	162	105	70	82	7	31	137	15	15	472	79	13750
3110	1,8°	122	3/8	14	155	107	82	88	10	32	130	15	29	472	79	21560
3113	2,3°	122	1/2	12	156	108	83	88	12	32	130	15	29	472	106	26070
4106	1,5°	161	1/4	16	202	105	70	82	7	31	176	19	15	472	79	18150
4110	1,8°	161	3/8	12	194	107	87	88	10	32	169	19	29	472	79	27390
4113	2,3°	161	1/2	10	195	108	88	88	12	32	169	19	29	472	106	30250



Any information and/or data can be changed by Vartek without prior notice

Vartek

Machinery

Vartek

PRIMAFORM

Minareli Çavuş Mh. Atalay Cd. No:31 Nilüfer - BURSA / TURKEY

+90 224 443 12 23 +90 224 443 12 03

info@vartekmachinery.com



KOSGEB

www.kosgeb.gov.tr

B. Tarihi: 12.10.2018

B. Yeri: GÖZDE MATBAA