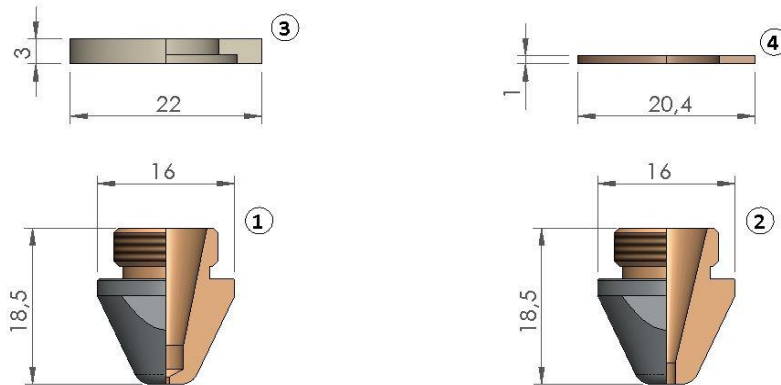


---

Accessories

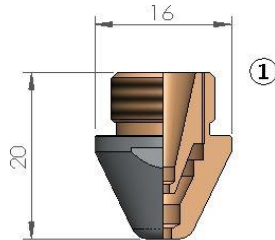
POS	LS. CODE	ORIGINAL CODE	DESCRIPTION	unit price	10 pack price
	889001	500615	ACETONE LT 1		
	889002	1222024	CLEANING STICKS 50 PZ.		
	889003	500822	CLEANING MAPS 50 PZ.		
	889004		DROPPER 100 cc		
	889005		CLEANING DISKS		
	889006		LATEX THIMBLE 50 PZ.		
	889007		OPTICAL MANUTENTION CLEANING KIT		
	889008		OPTICAL CLEANING KIT		
	889009		FIBER LASER PROTECTION GLASSES 1070 UVEX		
	889010		CO2 PROTECTION GLASSES (MAX 3000W)		
	889011		CO2 PROTECTION GLASSES L5 5000W		
	889012		FIBER LASER PROTECTION GLASSES		
	889013		BELLOWS BRUSH		
	889014		LENS CLEANING SUPPORT		
	889015	370000	EASY KIT WATER CLEANING FOR LASER TRUMPF		
	889016	2594	ADDITIVE CLEANING FOR LASER TRUMPF 30ML ( GREEN)		
	889017	2513	ADDITIVE ANTICORROSIVE FOR LASER TRUMPF 30ML( LIGHT BLUE)		
	889018	73199	ADDITIVE COPPER INHIBITOR FOR LASER TRUMPF 30ML (YELLOW)		
	889019	ST40	ADDITIVE ST 40 SANITIZER FOR LASER TRUMPF 20ML (RED)		
	889020	TOPOL	POLISH FOR CLEANING LENS - 100ML		
	889021	TOPOL	POLISH FOR CLEANING LENS - 200ML		
	889022	134336	OLIO POMPA VUOTO V46		
	889023		AEROSHELL 560 LT 1		
	889024		LIQUIDO POMPA VUOTO GS 32 LT 2		

## Replacement parts suitable for AMADA<sup>®</sup>



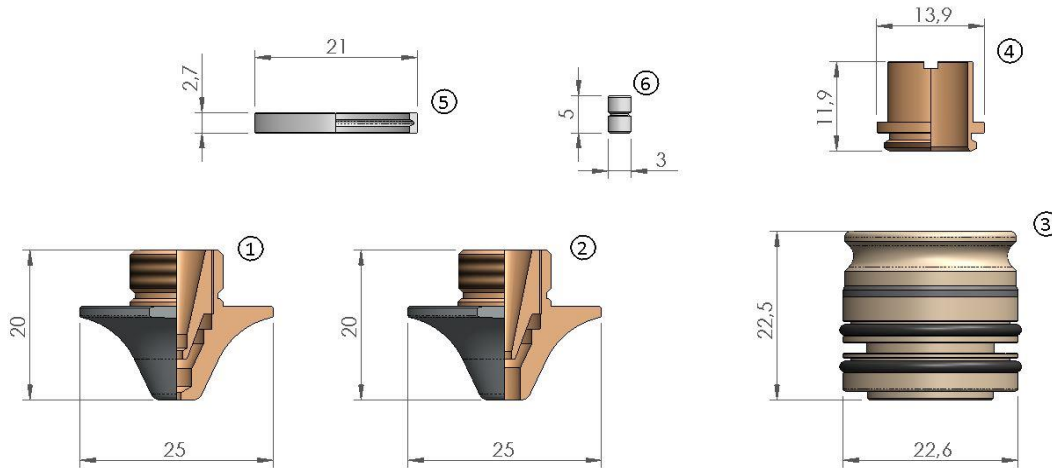
POS	LS. CODE	ORIGINAL CODE	DESCRIPTION	unit price	10 pack price
1	105001CW		AMADA <sup>®</sup> NOZZLE Ø 0.8 CP		
	105002CW	1664545U	AMADA <sup>®</sup> NOZZLE Ø 1.0 CP		
	105003CW	1664545U	AMADA <sup>®</sup> NOZZLE Ø 1.25 CP		
	105004CW	1664545U	AMADA <sup>®</sup> NOZZLE Ø 1.5 CP		
	105005CW	1664545U	AMADA <sup>®</sup> NOZZLE Ø 1.75 CP		
2	105006CW	1664644U-71341610	AMADA <sup>®</sup> NOZZLE Ø 2.0 CP		
	105007CW	1664545U	AMADA <sup>®</sup> NOZZLE Ø 2.5 CP		
	105008CW	1664645U-71360142	AMADA <sup>®</sup> NOZZLE Ø 3.0 CP		
	105009CW		AMADA <sup>®</sup> NOZZLE Ø 4.0 CP		
3	109020		AMADA <sup>®</sup> DISC HEAD PROTECTION CERAMIC Ø 22		
4	109019	71341614	AMADA <sup>®</sup> DISC HEAD PROTECTION VESPEL Ø 21		

## Replacement parts suitable for AMADA<sup>®</sup>



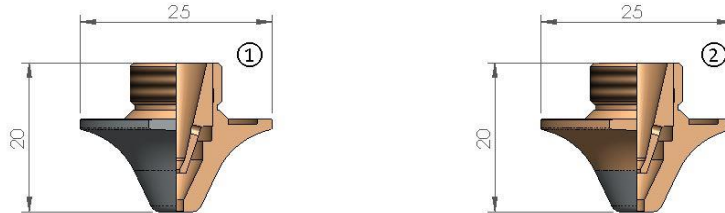
POS	LS. CODE	ORIGINAL CODE	DESCRIPTION	unit price	10 pack price
1	105015CW	1669864/7134162	AMADA <sup>®</sup> DOUBLE NOZZLE Ø D1.0 CP		
	105016CW	1669864/7134162	AMADA <sup>®</sup> DOUBLE NOZZLE Ø D1.2 CP		
	105017CW	1669864/7134162	AMADA <sup>®</sup> DOUBLE NOZZLE Ø D1.4 CP		
	105018CW	1669864/7134162	AMADA <sup>®</sup> DOUBLE NOZZLE Ø D1.5 CP		
	105019CW	1669864/7134162	AMADA <sup>®</sup> DOUBLE NOZZLE Ø D1.8 CP		
	105020CW	1669864/7134162	AMADA <sup>®</sup> DOUBLE NOZZLE Ø D2.0 CP		
	105021CW	1669864/7134162/ 41341680/71341772	AMADA <sup>®</sup> DOUBLE NOZZLE Ø D2.5 CP		
	105022CW	1669864/7134163	AMADA <sup>®</sup> DOUBLE NOZZLE Ø D3.0 CP		
	105023CW	1669864/7134162	AMADA <sup>®</sup> DOUBLE NOZZLE Ø D3.5 CP		
	105024CW		AMADA <sup>®</sup> DOUBLE NOZZLE Ø D3.8 CP		
	105025CW	1669795/71341681	AMADA <sup>®</sup> DOUBLE NOZZLE Ø D4.0 CP		

## Replacement parts suitable for AMADA<sup>®</sup>

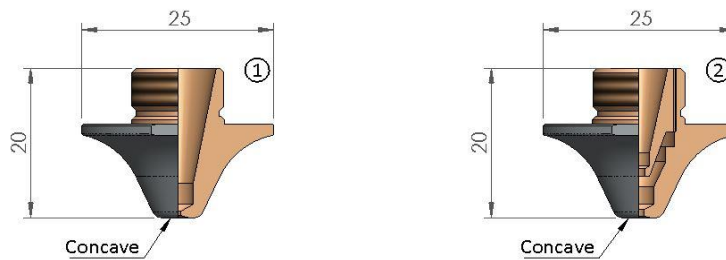


POS	LS. CODE	ORIGINAL CODE	DESCRIPTION	unit price	10 pack price
1	101020C		AMADA <sup>®</sup> DOUBLE NOZZLE Ø D1.2E CP ECO CUT		
	101020CW		AMADA <sup>®</sup> DOUBLE NOZZLE Ø D1.2E CP ECO CUT		
	101021C	71518550-71461029-71502038	AMADA <sup>®</sup> DOUBLE NOZZLE Ø D1.4E CP ECO CUT		
	101021CW	71518550-71461029-71502038	AMADA <sup>®</sup> DOUBLE NOZZLE Ø D1.4E CP ECO CUT		
	101022C		AMADA <sup>®</sup> DOUBLE NOZZLE Ø D1.7E CP ECO CUT		
	101022CW		AMADA <sup>®</sup> DOUBLE NOZZLE Ø D1.7E CP ECO CUT		
	101023C		AMADA <sup>®</sup> DOUBLE NOZZLE Ø D2.0E CP ECO CUT		
	101023CW		AMADA <sup>®</sup> DOUBLE NOZZLE Ø D2.0E CP ECO CUT		
	101024C	71516789-71501059	AMADA <sup>®</sup> DOUBLE NOZZLE Ø D2.5E CP ECO CUT		
	101024CW	71516789-71501059	AMADA <sup>®</sup> DOUBLE NOZZLE Ø D2.5E CP ECO CUT		
	101025C		AMADA <sup>®</sup> DOUBLE NOZZLE Ø D3.0E CP ECO CUT		
	101025CW		AMADA <sup>®</sup> DOUBLE NOZZLE Ø D3.0E CP ECO CUT		
	101026C	71516790-71501060	AMADA <sup>®</sup> DOUBLE NOZZLE Ø D4.0E CP ECO CUT		
	101026CW	71516790-71501060	AMADA <sup>®</sup> DOUBLE NOZZLE Ø D4.0E CP ECO CUT		
2	104003C	71501093	AMADA <sup>®</sup> DOUBLE NOZZLE Ø D4.0 AL CP		
3	109001	71712350	AMADA <sup>®</sup> NOZZLE HOLDER PLUG-IN with INNER		
	109002	71712350	AMADA <sup>®</sup> NOZZLE HOLDER PLUG-IN		
4	109010	71716438-71798350	AMADA <sup>®</sup> INNER FOR PLUG-IN		
5	109006	71712340	AMADA <sup>®</sup> PTFE COLLAR WITH GROOVE		
6	109007	71712344	AMADA <sup>®</sup> LOCATING PIN		

## Replacement parts suitable for AMADA<sup>®</sup>

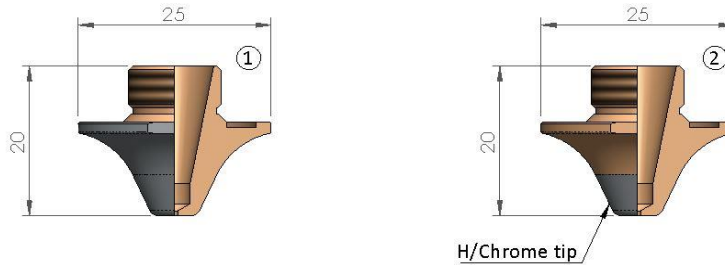


POS	LS. CODE	ORIGINAL CODE	DESCRIPTION	unit price	10 pack price
1	104007C		AMADA <sup>®</sup> DOUBLE NOZZLE Ø D1.5F CP		
	104008C	71570022	AMADA <sup>®</sup> DOUBLE NOZZLE Ø D2.0F CP		
	104009C		AMADA <sup>®</sup> DOUBLE NOZZLE Ø D2.5F CP		
	104011C		AMADA <sup>®</sup> DOUBLE NOZZLE Ø D4.0F CP		
2	104007CK		AMADA <sup>®</sup> DOUBLE NOZZLE Ø D1.5F CP		
	104008CK		AMADA <sup>®</sup> DOUBLE NOZZLE Ø D2.0F CP		
	104009CK		AMADA <sup>®</sup> DOUBLE NOZZLE Ø D2.5F CP		
	104011CK		AMADA <sup>®</sup> DOUBLE NOZZLE Ø D4.0F CP		



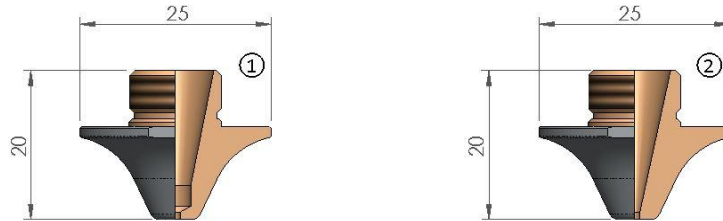
POS	LS. CODE	ORIGINAL CODE	DESCRIPTION	unit price	10 pack price
1	101030C		AMADA <sup>®</sup> NOZZLE Ø S0.8 CP W/CONCAVE		
	101030CW		AMADA <sup>®</sup> NOZZLE Ø S0.8 CP W/CONCAVE		
	101031C		AMADA <sup>®</sup> NOZZLE Ø S1.0 CP W/CONCAVE		
	101031CW		AMADA <sup>®</sup> NOZZLE Ø S1.0 CP W/CONCAVE		
	101032C		AMADA <sup>®</sup> NOZZLE Ø S1.2 CP W/CONCAVE		
	101032CW		AMADA <sup>®</sup> NOZZLE Ø S1.2 CP W/CONCAVE		
2	101037C		AMADA <sup>®</sup> DOUBLE NOZZLE Ø D1.4 CP W/CONCAVE		
	101037CW		AMADA <sup>®</sup> DOUBLE NOZZLE Ø D1.4 CP W/CONCAVE		

## Replacement parts suitable for AMADA<sup>®</sup>



POS	LS. CODE	ORIGINAL CODE	DESCRIPTION	unit price	10 pack price
1	104015C		AMADA <sup>®</sup> NOZZLE Ø S0.8 FE CP		
	104016C	71570021, S1.0FE	AMADA <sup>®</sup> NOZZLE Ø S1.0 FE CP		
	104017C	71570020, S1.2FE	AMADA <sup>®</sup> NOZZLE Ø S1.2 FE CP		
	104018C		AMADA <sup>®</sup> NOZZLE Ø S1.4 FE CP		
2	104015CK		AMADA <sup>®</sup> NOZZLE Ø S0.8 FE CP		
	104016CK	71570021, S1.0FE	AMADA <sup>®</sup> NOZZLE Ø S1.0 FE CP		
	104017CK	71570020, S1.2FE	AMADA <sup>®</sup> NOZZLE Ø S1.2 FE CP		
	104018CK		AMADA <sup>®</sup> NOZZLE Ø S1.4 FE CP		

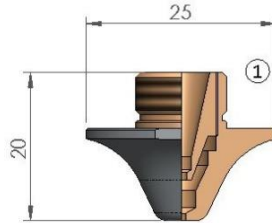
## Replacement parts suitable for AMADA<sup>®</sup>



POS	LS. CODE	ORIGINAL CODE	DESCRIPTION	unit price	10 pack price
1	101002C		AMADA <sup>®</sup> NOZZLE Ø S0.8E CP ECO CUT		
	101002CW		AMADA <sup>®</sup> NOZZLE Ø S0.8E CP ECO CUT		
	101003C	71566685	AMADA <sup>®</sup> NOZZLE Ø S1.0E CP ECO CUT		
	101003CW	71566685	AMADA <sup>®</sup> NOZZLE Ø S1.0E CP ECO CUT		
	101004C	71502037-71461028-71566686-71369812	AMADA <sup>®</sup> NOZZLE Ø S1.2E CP ECO CUT		
	101004CW	71502037-71461028-71566686-71369812	AMADA <sup>®</sup> NOZZLE Ø S1.2E CP ECO CUT		
	101007C		AMADA <sup>®</sup> NOZZLE Ø S1.5E CP ECO CUT		
	101007CW		AMADA <sup>®</sup> NOZZLE Ø S1.5E CP ECO CUT		
	101010C		AMADA <sup>®</sup> NOZZLE Ø S2.0E CP ECO CUT		
	101010CW		AMADA <sup>®</sup> NOZZLE Ø S2.0E CP ECO CUT		
	101013C		AMADA <sup>®</sup> NOZZLE Ø S2.5E CP ECO CUT		
	101013CW		AMADA <sup>®</sup> NOZZLE Ø S2.5E CP ECO CUT		
	101015C		AMADA <sup>®</sup> NOZZLE Ø S3.0E CP ECO CUT		
	101015CW		AMADA <sup>®</sup> NOZZLE Ø S3.0E CP ECO CUT		
2	101005C		AMADA <sup>®</sup> NOZZLE Ø S1.4 CP ECO CUT		
	101005CW		AMADA <sup>®</sup> NOZZLE Ø S1.4 CP ECO CUT		
	101006C	71501056 - 71712720	AMADA <sup>®</sup> NOZZLE Ø S1.5 CP ECO CUT		
	101006CW	71501056 - 71712720	AMADA <sup>®</sup> NOZZLE Ø S1.5 CP ECO CUT		
	101008C		AMADA <sup>®</sup> NOZZLE Ø S1.7 CP ECO CUT		
	101008CW		AMADA <sup>®</sup> NOZZLE Ø S1.7 CP ECO CUT		
	101009C	71501057-71555124	AMADA <sup>®</sup> NOZZLE Ø S2.0 CP ECO CUT		
	101009CW	71501057-71555124	AMADA <sup>®</sup> NOZZLE Ø S2.0 CP ECO CUT		
	101011C		AMADA <sup>®</sup> NOZZLE Ø S2.3 CP ECO CUT		
	101011CW		AMADA <sup>®</sup> NOZZLE Ø S2.3 CP ECO CUT		
	101012C		AMADA <sup>®</sup> NOZZLE Ø S2.5 CP ECO CUT		
	101012CW		AMADA <sup>®</sup> NOZZLE Ø S2.5 CP ECO CUT		
	101014C	71516788-71501058	AMADA <sup>®</sup> NOZZLE Ø S3.0 CP ECO CUT		
	101014CW	71516788-71501058	AMADA <sup>®</sup> NOZZLE Ø S3.0 CP ECO CUT		
101016C		AMADA <sup>®</sup> NOZZLE Ø S4.0 CP ECO CUT			
101016CW		AMADA <sup>®</sup> NOZZLE Ø S4.0 CP ECO CUT			



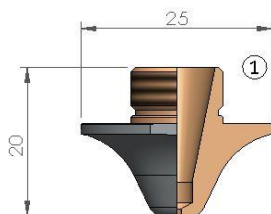
## Replacement parts suitable for AMADA<sup>®</sup>



POS	LS. CODE	ORIGINAL CODE	DESCRIPTION	unit price	10 pack price
1	101040C	1572361	AMADA <sup>®</sup> DOUBLE NOZZLE Ø D1.2 CP		
	101040CW	1572361	AMADA <sup>®</sup> DOUBLE NOZZLE Ø D1.2 CP		
	101041C	71369813, 71502038, 71341779, 71518550	AMADA <sup>®</sup> DOUBLE NOZZLE Ø D1.4 CP		
	101041CW	71369813, 71502038, 71341779, 71518550	AMADA <sup>®</sup> DOUBLE NOZZLE Ø D1.4 CP		
	101042C	1572361, 71518548, 1572380	AMADA <sup>®</sup> DOUBLE NOZZLE Ø D1.7 CP		
	101042CW	1572361, 71518548, 1572380	AMADA <sup>®</sup> DOUBLE NOZZLE Ø D1.7 CP		
	101043C	1572361	AMADA <sup>®</sup> DOUBLE NOZZLE Ø D2.0 CP		
	101043CW	1572361	AMADA <sup>®</sup> DOUBLE NOZZLE Ø D2.0 CP		
	101044C	71501059, 71515394, 71516789, 1576398	AMADA <sup>®</sup> DOUBLE NOZZLE Ø D2.5 CP		
	101044CW	71501059, 71515394, 71516789, 1576398	AMADA <sup>®</sup> DOUBLE NOZZLE Ø D2.5 CP		
	101045C	1572361	AMADA <sup>®</sup> DOUBLE NOZZLE Ø D3.0 CP		
	101045CW	1572361	AMADA <sup>®</sup> DOUBLE NOZZLE Ø D3.0 CP		
	101046C	71501060, 71515395, 1576399	AMADA <sup>®</sup> DOUBLE NOZZLE Ø D4.0 CP		
	101046CW	71501060, 71515395, 1576399	AMADA <sup>®</sup> DOUBLE NOZZLE Ø D4.0 CP		
	101047C		AMADA <sup>®</sup> DOUBLE NOZZLE Ø D4.0 CP INNER D2.0		
	101047CW		AMADA <sup>®</sup> DOUBLE NOZZLE Ø D4.0 CP INNER D2.0		
	101048C	1572361	AMADA <sup>®</sup> DOUBLE NOZZLE Ø D5.0 CP		
	101048CW	1572361	AMADA <sup>®</sup> DOUBLE NOZZLE Ø D5.0 CP		
	101049C		AMADA <sup>®</sup> DOUBLE NOZZLE Ø D6.0 CP		
	101049CW		AMADA <sup>®</sup> DOUBLE NOZZLE Ø D6.0 CP		



## Replacement parts suitable for AMADA<sup>®</sup>



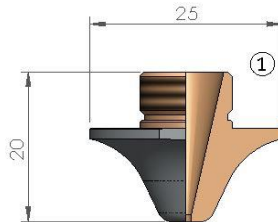
POS	LS. CODE	ORIGINAL CODE	DESCRIPTION	unit price	10 pack price
1	101050C	1572362, 71563584	AMADA <sup>®</sup> NOZZLE Ø 0.8 CP		
	101050CW	1572362, 71563584	AMADA <sup>®</sup> NOZZLE Ø 0.8 CP		
	101051C	1572367A, 71563585	AMADA <sup>®</sup> NOZZLE Ø 1.0 CP		
	101051CW	1572367A, 71563585	AMADA <sup>®</sup> NOZZLE Ø 1.0 CP		
	101052C	71369812, 71461028, 71341778	AMADA <sup>®</sup> NOZZLE Ø 1.2 CP		
	101052CW	71369812, 71461028, 71341778	AMADA <sup>®</sup> NOZZLE Ø 1.2 CP		
	101053C	1572362	AMADA <sup>®</sup> NOZZLE Ø 1.4 CP		
	101053CW	1572362	AMADA <sup>®</sup> NOZZLE Ø 1.4 CP		
	101054C	1572362, 1572368B	AMADA <sup>®</sup> NOZZLE Ø 1.5 CP		
	101054CW	1572362, 1572368B	AMADA <sup>®</sup> NOZZLE Ø 1.5 CP		
	101055C	1572362	AMADA <sup>®</sup> NOZZLE Ø 1.7 CP		
	101055CW	1572362	AMADA <sup>®</sup> NOZZLE Ø 1.7 CP		
	101056C	71515392, 71369815	AMADA <sup>®</sup> NOZZLE Ø 2.0 CP		
	101056CW	71515392, 71369815	AMADA <sup>®</sup> NOZZLE Ø 2.0 CP		
	101057C		AMADA <sup>®</sup> NOZZLE Ø 2.5 CP		
	101057CW		AMADA <sup>®</sup> NOZZLE Ø 2.5 CP		
	101058C	71515393, 1576112	AMADA <sup>®</sup> NOZZLE Ø 3.0 CP		
	101058CW	71515393, 1576112	AMADA <sup>®</sup> NOZZLE Ø 3.0 CP		
	101059C	1572362	AMADA <sup>®</sup> NOZZLE Ø 4.0 CP		
	101059CW	1572362	AMADA <sup>®</sup> NOZZLE Ø 4.0 CP		

---



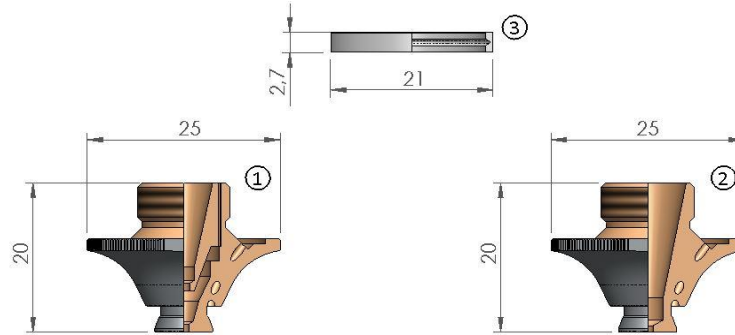
---

## Replacement parts suitable for AMADA<sup>®</sup>



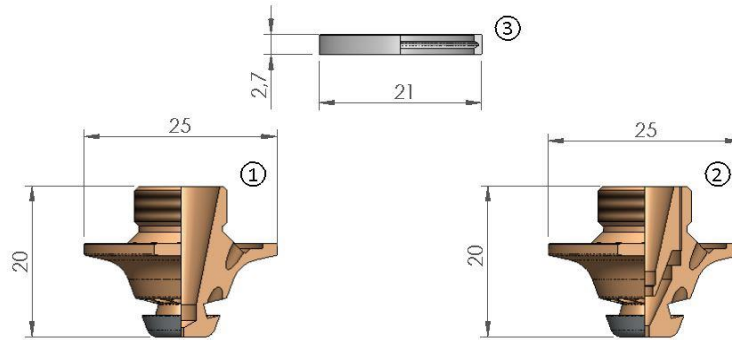
POS	LS. CODE	ORIGINAL CODE	DESCRIPTION	unit price	10 pack price
1	101060C		AMADA <sup>®</sup> NOZZLE Ø 0.8 CP		
	101060CW		AMADA <sup>®</sup> NOZZLE Ø 0.8 CP		
	101061C		AMADA <sup>®</sup> NOZZLE Ø 1.0 CP		
	101061CW		AMADA <sup>®</sup> NOZZLE Ø 1.0 CP		
	101062C		AMADA <sup>®</sup> NOZZLE Ø 1.2 CP		
	101062CW		AMADA <sup>®</sup> NOZZLE Ø 1.2 CP		
	101063C		AMADA <sup>®</sup> NOZZLE Ø 1.4 CP		
	101063CW		AMADA <sup>®</sup> NOZZLE Ø 1.4 CP		
	101064C		AMADA <sup>®</sup> NOZZLE Ø 1.5 CP		
	101064CW		AMADA <sup>®</sup> NOZZLE Ø 1.5 CP		
	101065C		AMADA <sup>®</sup> NOZZLE Ø 1.7 CP		
	101065CW		AMADA <sup>®</sup> NOZZLE Ø 1.7 CP		
	101066C		AMADA <sup>®</sup> NOZZLE Ø 2.0 CP		
	101066CW		AMADA <sup>®</sup> NOZZLE Ø 2.0 CP		
	101067C		AMADA <sup>®</sup> NOZZLE Ø 2.3 CP		
	101067CW		AMADA <sup>®</sup> NOZZLE Ø 2.3 CP		
	101068C		AMADA <sup>®</sup> NOZZLE Ø 3.0 CP		
	101068CW		AMADA <sup>®</sup> NOZZLE Ø 3.0 CP		

## Replacement parts suitable for AMADA<sup>®</sup>



POS	LS. CODE	ORIGINAL CODE	DESCRIPTION	unit price	10 pack price
1	102003C		AMADA <sup>®</sup> DOUBLE NOZZLE Ø D1.4W CP WACS		
	102003CT		AMADA <sup>®</sup> DOUBLE NOZZLE Ø D1.4W CP WACS WITH COLLAR		
	102004C		AMADA <sup>®</sup> DOUBLE NOZZLE Ø D1.7W CP WACS		
	102004CT		AMADA <sup>®</sup> DOUBLE NOZZLE Ø D1.7W CP WACS WITH COLLAR		
	102005C		AMADA <sup>®</sup> DOUBLE NOZZLE Ø D2.0W CP WACS		
	102005CT		AMADA <sup>®</sup> DOUBLE NOZZLE Ø D2.0W CP WACS WITH COLLAR		
	102006C	71712335	AMADA <sup>®</sup> DOUBLE NOZZLE Ø D2.5W CP WACS		
	102006CT		AMADA <sup>®</sup> DOUBLE NOZZLE Ø D2.5W CP WACS WITH COLLAR		
	102007C		AMADA <sup>®</sup> DOUBLE NOZZLE Ø D3.0W CP WACS		
	102007CT		AMADA <sup>®</sup> DOUBLE NOZZLE Ø D3.0W CP WACS WITH COLLAR		
	102008C		AMADA <sup>®</sup> DOUBLE NOZZLE Ø D3.5W CP WACS		
	102008CT		AMADA <sup>®</sup> DOUBLE NOZZLE Ø D3.5W CP WACS WITH COLLAR		
	102009C	71712336 - 71461158	AMADA <sup>®</sup> DOUBLE NOZZLE Ø D4.0W CP WACS		
	102009CT		AMADA <sup>®</sup> DOUBLE NOZZLE Ø D4.0W CP WACS WITH COLLAR		
	102010C		AMADA <sup>®</sup> DOUBLE NOZZLE Ø D4.5W CP WACS		
	102010CT		AMADA <sup>®</sup> DOUBLE NOZZLE Ø D4.5W CP WACS WITH COLLAR		
102011C		AMADA <sup>®</sup> DOUBLE NOZZLE Ø D5.0W CP WACS			
102011CT		AMADA <sup>®</sup> DOUBLE NOZZLE Ø D5.0W CP WACS WITH COLLAR			
2	102016C		AMADA <sup>®</sup> NOZZLE Ø S1.2W CP WACS		
	102016CT		AMADA <sup>®</sup> NOZZLE Ø S1.2W CP WACS WITH COLLAR		
	102017C		AMADA <sup>®</sup> NOZZLE Ø S1.4W CP WACS		
	102017CT		AMADA <sup>®</sup> NOZZLE Ø S1.4W CP WACS WITH COLLAR		
3	109006	71712340	AMADA <sup>®</sup> PTFE COLLAR WITH GROOVE		

## Replacement parts suitable for AMADA<sup>®</sup>



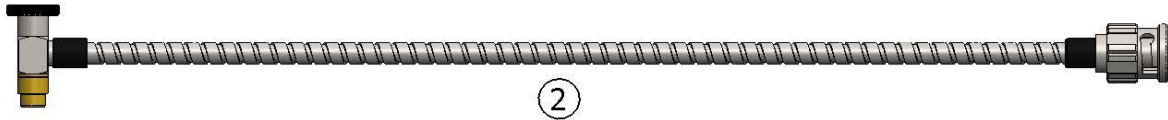
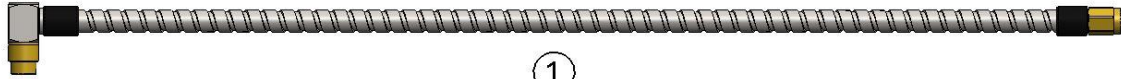
POS	LS. CODE	ORIGINAL CODE	DESCRIPTION	unit price	10 pack price
1	102021CK		AMADA <sup>®</sup> NOZZLE Ø S0.8 FE FIBER CP		
	102021CKT		AMADA <sup>®</sup> NOZZLE Ø S0.8 FE FIBER CP WITH COLLAR		
	102022CK	71570030	AMADA <sup>®</sup> NOZZLE Ø S1.0 FE FIBER CP		
	102022CKT	71570030	AMADA <sup>®</sup> NOZZLE Ø S1.0 FE FIBER CP WITH COLLAR		
	102023CK	71570023	AMADA <sup>®</sup> NOZZLE Ø S1.2 FE FIBER CP		
	102023CKT	71570023	AMADA <sup>®</sup> NOZZLE Ø S1.2 FE FIBER CP WITH COLLAR		
	102024CK		AMADA <sup>®</sup> NOZZLE Ø S1.4 FE FIBER CP		
	102024CKT		AMADA <sup>®</sup> NOZZLE Ø S1.4 FE FIBER CP WITH COLLAR		
	102025CK		AMADA <sup>®</sup> NOZZLE Ø S1.7 FE FIBER CP		
	102025CKT		AMADA <sup>®</sup> NOZZLE Ø S1.7 FE FIBER CP WITH COLLAR		
	102026CK		AMADA <sup>®</sup> NOZZLE Ø S2.0 FE FIBER CP		
	102026CKT		AMADA <sup>®</sup> NOZZLE Ø S2.0 FE FIBER CP WITH COLLAR		
2	102032CK		AMADA <sup>®</sup> DOUBLE NOZZLE Ø D1.2 FE FIBER CP		
	102032CKT		AMADA <sup>®</sup> DOUBLE NOZZLE Ø D1.2 FE FIBER CP WITH COLLAR		
	102033CK		AMADA <sup>®</sup> DOUBLE NOZZLE Ø D1.5 FE FIBER CP		
	102033CKT		AMADA <sup>®</sup> DOUBLE NOZZLE Ø D1.5 FE FIBER CP WITH COLLAR		
3	109006	71712340	AMADA <sup>®</sup> PTFE COLLAR WITH GROOVE		

---



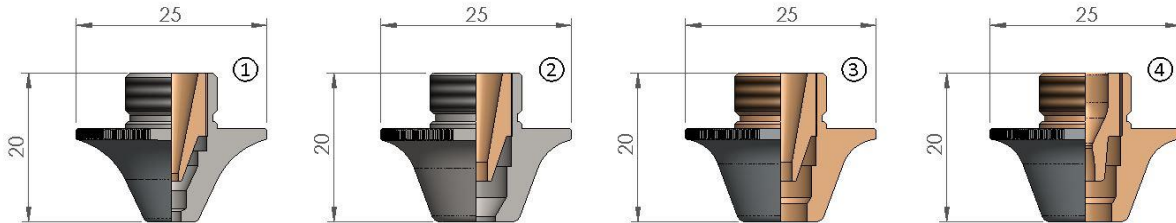
---

Replacement parts suitable for AMADA<sup>®</sup>

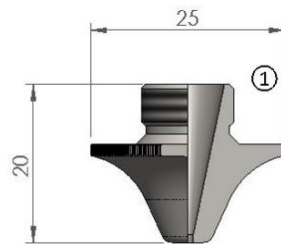


POS	LS. CODE	ORIGINAL CODE	DESCRIPTION	unit price	10 pack price
1	109021	71341630	AMADA <sup>®</sup> SENSOR CABLE		
2	109022	71398965	AMADA <sup>®</sup> SENSOR CABLE HS 15		

## Replacement parts suitable for AMADA<sup>®</sup>

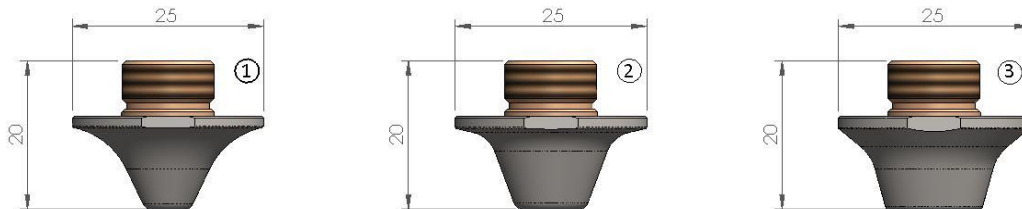


POS	LS. CODE	ORIGINAL CODE	DESCRIPTION	unit price	10 pack price
1	103012K		AMADA <sup>®</sup> DOUBLE NOZZLE Ø D2.5CC SPECIAL CP FOR CLEAN CUT		
	103013K	71341728 - 71555121	AMADA <sup>®</sup> DOUBLE NOZZLE Ø D4.0CC SPECIAL CP FOR CLEAN CUT		
2	103014K		AMADA <sup>®</sup> DOUBLE NOZZLE Ø D5.0CC SPECIAL CP FOR CLEAN CUT		
	103015K		AMADA <sup>®</sup> DOUBLE NOZZLE Ø D6.0CC SPECIAL CP FOR CLEAN CUT		
	103016K	71341729 - 71712721	AMADA <sup>®</sup> DOUBLE NOZZLE Ø D7.0CC SPECIAL CP FOR CLEAN CUT		
3	104005C	71501092	AMADA <sup>®</sup> DOUBLE NOZZLE Ø 7.0 AL CC CP		
4	104013C	71712692	AMADA <sup>®</sup> DOUBLE NOZZLE Ø 7.0SC CP SILKY CUT		

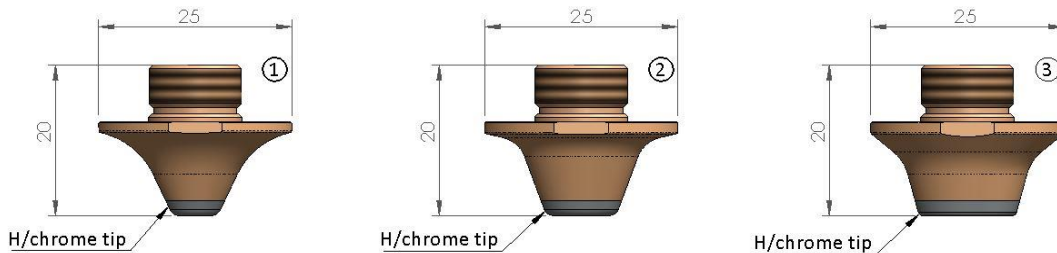


POS	LS. CODE	ORIGINAL CODE	DESCRIPTION	unit price	10 pack price
1	103003K		AMADA <sup>®</sup> NOZZLE Ø S1.5CC SPECIAL CP FOR CLEAN CUT		
	103004K	71502043	AMADA <sup>®</sup> NOZZLE Ø S2.0CC SPECIAL CP FOR CLEAN CUT		
	103005K		AMADA <sup>®</sup> NOZZLE Ø S2.5CC SPECIAL CP FOR CLEAN CUT		
	103006K	71502044	AMADA <sup>®</sup> NOZZLE Ø S3.0CC SPECIAL CP FOR CLEAN CUT		

## Replacement parts suitable for AMADA<sup>®</sup>



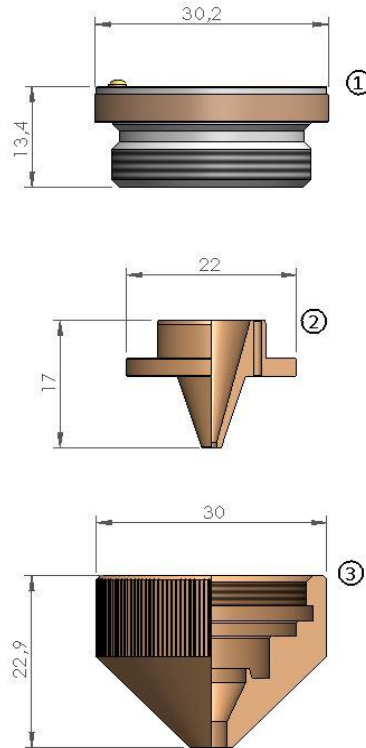
POS	LS. CODE	ORIGINAL CODE	DESCRIPTION	unit price	10 pack price
1	106001C		AMADA <sup>®</sup> DOUBLE NOZZLE Ø2.5 CP - SS		
	106002C		AMADA <sup>®</sup> DOUBLE NOZZLE Ø3.0 CP - SS		
	106003C		AMADA <sup>®</sup> DOUBLE NOZZLE Ø4.0 CP - SS		
2	106004C		AMADA <sup>®</sup> DOUBLE NOZZLE Ø6.0 CP - SS		
3	106005C		AMADA <sup>®</sup> DOUBLE NOZZLE Ø10.0 CP - SS		



POS	LS. CODE	ORIGINAL CODE	DESCRIPTION	unit price	10 pack price
1	106001CK		AMADA <sup>®</sup> DOUBLE NOZZLE Ø2.5 CP - SS		
	106002CK		AMADA <sup>®</sup> DOUBLE NOZZLE Ø3.0 CP - SS		
	106003CK		AMADA <sup>®</sup> DOUBLE NOZZLE Ø4.0 CP - SS		
2	106004CK		AMADA <sup>®</sup> DOUBLE NOZZLE Ø6.0 CP - SS		
3	106005CK		AMADA <sup>®</sup> DOUBLE NOZZLE Ø10.0 CP - SS		

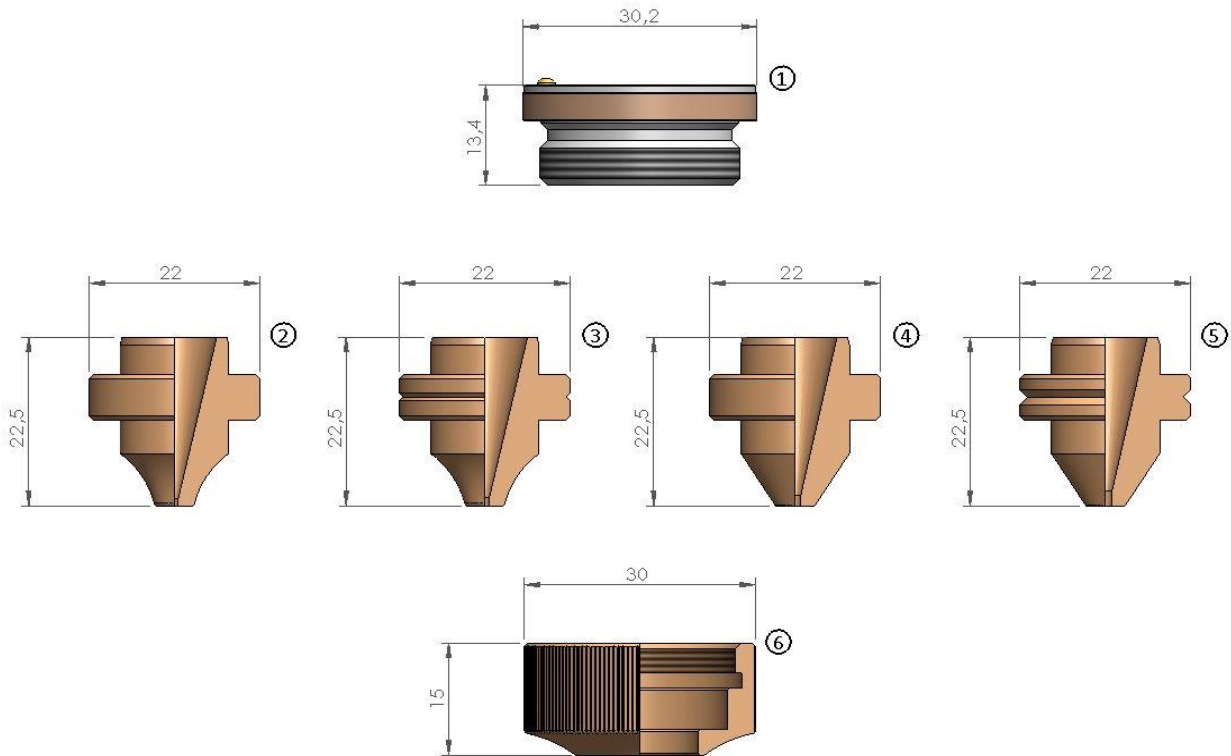


## Replacement parts suitable for AMADA<sup>®</sup>



POS	LS. CODE	ORIGINAL CODE	DESCRIPTION	unit price	10 pack price
1	309001	P0594-860-00001 - 71800010	MITSUBISHI <sup>®</sup> NOZZLE HOLDER IT HP2" MZP/MEL		
2	302110	W270	MITSUBISHI <sup>®</sup> INNER NOZZLE Ø 1.3 - 8 HOLES		
	302111	71800023 - BQ943D156H01 - W270-1.5	MITSUBISHI <sup>®</sup> INNER NOZZLE Ø 1.5 - 8 HOLES		
	302112		MITSUBISHI <sup>®</sup> INNER NOZZLE Ø 2.0 - 8 HOLES		
	302121	71800024 - BQ943D156H03 - W515	MITSUBISHI <sup>®</sup> INNER NOZZLE Ø 1.5 - 24 HOLES		
	302122		MITSUBISHI <sup>®</sup> INNER NOZZLE Ø 2.0 - 24 HOLES		
3	302305	71800027- BQ933D221H04-P0593-86000001	MITSUBISHI <sup>®</sup> OUTER NOZZLE WITH INNER WALL		

## Replacement parts suitable for AMADA<sup>®</sup>



POS	LS. CODE	ORIGINAL CODE	DESCRIPTION	unit price	10 pack price
1	309001	P0594-860-00001 - 71800010	PRECITEC NOZZLE HOLDER IT HP2" MZP/MEL		
2	302201	BQ933D283H01 - 71800016A0	mitsubishi <sup>®</sup> NOZZLE S10 Ø 1.0		
	302203		mitsubishi <sup>®</sup> NOZZLE S14 Ø 1.4		
3	302202	BQ943D269H01- W18Q93326901- BQ943D157H01 - 71800018	mitsubishi <sup>®</sup> NOZZLE S12 Ø 1.2		
	302204	71800019 - BQ943D157H02	mitsubishi <sup>®</sup> NOZZLE S15 Ø 1.5		
	302206		mitsubishi <sup>®</sup> NOZZLE S20 Ø 2.0		
4	302207		mitsubishi <sup>®</sup> NOZZLE S25 Ø 2.5		
	302208		mitsubishi <sup>®</sup> NOZZLE S30 Ø 3.0		
	302209		mitsubishi <sup>®</sup> NOZZLE S35 Ø 3.5		
	302210		mitsubishi <sup>®</sup> NOZZLE S17 Ø 1.7		
5	302205	W18Q93302701	mitsubishi <sup>®</sup> NOZZLE S17 Ø 1.7		
6	302301	71800026 - BQ933D94H01	mitsubishi <sup>®</sup> NOZZLE NUT		

---

 Replacement parts suitable for AMADA<sup>®</sup>

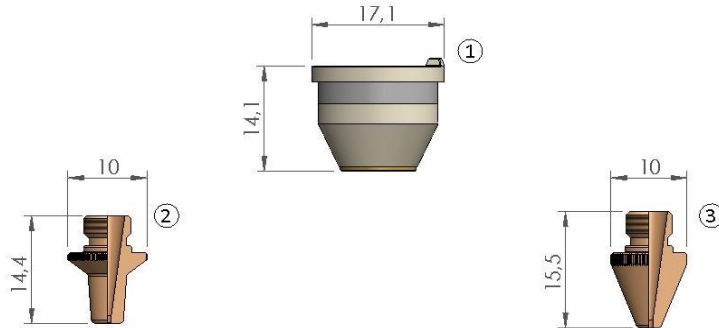

POS	LS. CODE	ORIGINAL CODE	DESCRIPTION	unit price	10 pack price
1	105031CW	62094006	AMADA <sup>®</sup> NOZZLE Ø 1.0 CP		
	105032CW	62094006	AMADA <sup>®</sup> NOZZLE Ø 1.25 CP		
	105033CW	62094006, 1507610	AMADA <sup>®</sup> NOZZLE Ø 1.5 CP		
	105034CW	62094006	AMADA <sup>®</sup> NOZZLE Ø 1.75 CP		
	105035CW	62094006, 1507611	AMADA <sup>®</sup> NOZZLE Ø 2.0 CP		
	105036CW	62094006	AMADA <sup>®</sup> NOZZLE Ø 2.5 CP		
	105037CW	62094008, 71102007	AMADA <sup>®</sup> NOZZLE Ø 3.0 CP		
2	105041CW	62094005	AMADA <sup>®</sup> NOZZLE Ø 1.0 CP		
	105042CW	62094005	AMADA <sup>®</sup> NOZZLE Ø 1.25 CP		
	105043CW	62094005, 71341515	AMADA <sup>®</sup> NOZZLE Ø 1.5 CP		
	105044CW	62094005, 71341515-1.75	AMADA <sup>®</sup> NOZZLE Ø 1.75 CP		
	105045CW	62094005, 71102006	AMADA <sup>®</sup> NOZZLE Ø 2.0 CP		
	105046CW	62094005	AMADA <sup>®</sup> NOZZLE Ø 2.5 CP		
	105047CW	62094005, 71341515-3.0	AMADA <sup>®</sup> NOZZLE Ø 3.0 CP		

---



---

## Replacement parts suitable for BLM<sup>®</sup>



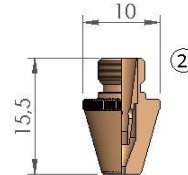
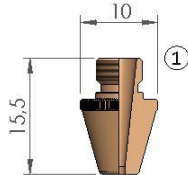
POS	LS. CODE	ORIGINAL CODE	DESCRIPTION	unit price	10 pack price
1	059010	280408	PRECITEC <sup>®</sup> ORIGINAL NOZZLE HOLDER KT M1.5" KN		
2	402001W	0455054	BLM <sup>®</sup> NOZZLE Ø 1.0		
	402002W	0455034	BLM <sup>®</sup> NOZZLE Ø 1.5		
	402003W	0455024	BLM <sup>®</sup> NOZZLE Ø 1.8		
	402004W	0455014	BLM <sup>®</sup> NOZZLE Ø 2.0		
	402005W	C50762A	BLM <sup>®</sup> NOZZLE Ø 2.5		
	402006W	455044	BLM <sup>®</sup> NOZZLE Ø 1.2		
3	402010W	6930250031/00	BLM <sup>®</sup> NOZZLE Ø 1.0 TCL		
	402011W	6930250032/00	BLM <sup>®</sup> NOZZLE Ø 1.2 TCL		
	402012W	6930250033/00	BLM <sup>®</sup> NOZZLE Ø 1.5 TCL		
	402013W	6930250034/00	BLM <sup>®</sup> NOZZLE Ø 1.8 TCL		
	402014W	6930250035/00	BLM <sup>®</sup> NOZZLE Ø 2.0 TCL		
	402015W	6930250043/00	BLM <sup>®</sup> NOZZLE Ø 2.3 TCL		
	402016W	6930250036/00	BLM <sup>®</sup> NOZZLE Ø 2.5 TCL		
	402017W	6930250044/00	BLM <sup>®</sup> NOZZLE Ø 3.0 TCL		

---



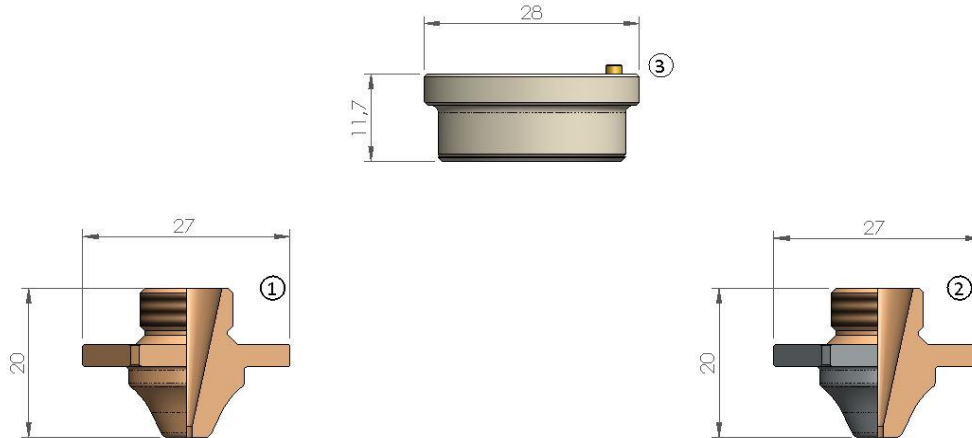
---

## Replacement parts suitable for BLM<sup>®</sup>



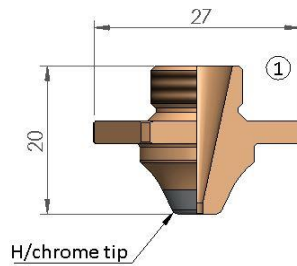
POS	LS. CODE	ORIGINAL CODE	DESCRIPTION	unit price	10 pack price
1	402020W	6930250862	BLM <sup>®</sup> NOZZLE Ø 1.0 KNL		
	402021W	6930250863	BLM <sup>®</sup> NOZZLE Ø 1.2 KNL		
	402022W	6930250835	BLM <sup>®</sup> NOZZLE Ø 1.5 KNL		
	402023W	6930250864	BLM <sup>®</sup> NOZZLE Ø 1.8 KNL		
	402024W	6930250836	BLM <sup>®</sup> NOZZLE Ø 2.0 KNL		
	402025W		BLM <sup>®</sup> NOZZLE Ø 2.3 KNL		
	402026W	6930250865	BLM <sup>®</sup> NOZZLE Ø 2.5 KNL		
	402027W	6930250866	BLM <sup>®</sup> NOZZLE Ø 3.0 KNL		
2	402030W	693025857	BLM <sup>®</sup> DOUBLE NOZZLE Ø 1.0 KNL		
	402031W	693025858	BLM <sup>®</sup> DOUBLE NOZZLE Ø 1.2 KNL		
	402032W	693025837	BLM <sup>®</sup> DOUBLE NOZZLE Ø 1.5 KNL		
	402033W	693025859	BLM <sup>®</sup> DOUBLE NOZZLE Ø 1.8 KNL		
	402034W	693025838	BLM <sup>®</sup> DOUBLE NOZZLE Ø 2.0 KNL		
	402035W		BLM <sup>®</sup> DOUBLE NOZZLE Ø 2.3 KNL		
	402036W	693025860	BLM <sup>®</sup> DOUBLE NOZZLE Ø 2.5 KNL		
	402037W	693025861	BLM <sup>®</sup> DOUBLE NOZZLE Ø 3.0 KNL		

## Replacement parts suitable for BLM<sup>®</sup>



POS	LS. CODE	ORIGINAL CODE	DESCRIPTION	unit price	10 pack price
1	401020	6930250800/00	BLM <sup>®</sup> NOZZLE SCB Ø 1.0		
	401021	6930250801/00	BLM <sup>®</sup> NOZZLE SCB Ø 1.2		
	401022	6930250802/00	BLM <sup>®</sup> NOZZLE SCB Ø 1.5		
	401023	6930250803/00	BLM <sup>®</sup> NOZZLE SCB Ø 1.8		
	401024	6930250804/00	BLM <sup>®</sup> NOZZLE SCB Ø 2.0		
	401025	6930250805/00	BLM <sup>®</sup> NOZZLE SCB Ø 2.3		
	401026	6930250806/00	BLM <sup>®</sup> NOZZLE SCB Ø 2.5		
	401027	6930250807/00	BLM <sup>®</sup> NOZZLE SCB Ø 3.0		
	401028	6930250808/00	BLM <sup>®</sup> NOZZLE SCB Ø 3.5		
	401029	6930250809/00	BLM <sup>®</sup> NOZZLE SCB Ø 4.0		
2	401020K	6930250800/00	BLM <sup>®</sup> NOZZLE SCB Ø 1.0 SPECIAL CP		
	401021K	6930250801/00	BLM <sup>®</sup> NOZZLE SCB Ø 1.2 SPECIAL CP		
	401022K	6930250802/00	BLM <sup>®</sup> NOZZLE SCB Ø 1.5 SPECIAL CP		
	401023K	6930250803/00	BLM <sup>®</sup> NOZZLE SCB Ø 1.8 SPECIAL CP		
	401024K	6930250804/00	BLM <sup>®</sup> NOZZLE SCB Ø 2.0 SPECIAL CP		
	401025K	6930250805/00	BLM <sup>®</sup> NOZZLE SCB Ø 2.3 SPECIAL CP		
	401026K	6930250806/00	BLM <sup>®</sup> NOZZLE SCB Ø 2.5 SPECIAL CP		
	401027K	6930250807/00	BLM <sup>®</sup> NOZZLE SCB Ø 3.0 SPECIAL CP		
	401028K	6930250808/00	BLM <sup>®</sup> NOZZLE SCB Ø 3.5 SPECIAL CP		
	401029K	6930250809/00	BLM <sup>®</sup> NOZZLE SCB Ø 4.0 SPECIAL CP		
3	409001	6930003224/00	BLM <sup>®</sup> NOZZLE HOLDER		

## Replacement parts suitable for BLM<sup>®</sup>



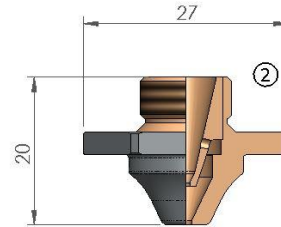
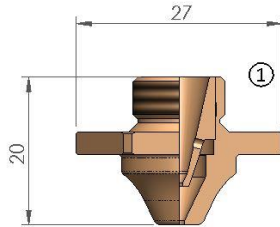
POS	LS. CODE	ORIGINAL CODE	DESCRIPTION	unit price	10 pack price
1	401020CK	6930250800/00	BLM <sup>®</sup> NOZZLE SCB Ø 1.0 CP		
	401021CK	6930250801/00	BLM <sup>®</sup> NOZZLE SCB Ø 1.2 CP		
	401022CK	6930250802/00	BLM <sup>®</sup> NOZZLE SCB Ø 1.5 CP		
	401023CK	6930250803/00	BLM <sup>®</sup> NOZZLE SCB Ø 1.8 CP		
	401024CK	6930250804/00	BLM <sup>®</sup> NOZZLE SCB Ø 2.0 CP		
	401025CK	6930250805/00	BLM <sup>®</sup> NOZZLE SCB Ø 2.3 CP		
	401026CK	6930250806/00	BLM <sup>®</sup> NOZZLE SCB Ø 2.5 CP		
	401027CK	6930250807/00	BLM <sup>®</sup> NOZZLE SCB Ø 3.0 CP		
	401028CK	6930250808/00	BLM <sup>®</sup> NOZZLE SCB Ø 3.5 CP		
	401029CK	6930250809/00	BLM <sup>®</sup> NOZZLE SCB Ø 4.0 CP		



---

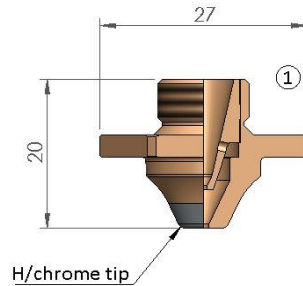


---

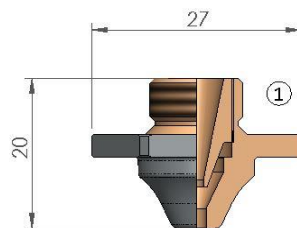
**Replacement parts suitable for BLM<sup>®</sup>**


POS	LS. CODE	ORIGINAL CODE	DESCRIPTION	unit price	10 pack price
1	401040	6930250810/00	BLM <sup>®</sup> DOUBLE NOZZLE D3F Ø 1.0		
	401041	6930250811/00	BLM <sup>®</sup> DOUBLE NOZZLE D3F Ø 1.2		
	401042	6930250812/00	BLM <sup>®</sup> DOUBLE NOZZLE D3F Ø 1.5		
	401043	6930250813/00	BLM <sup>®</sup> DOUBLE NOZZLE D3F Ø 1.8		
	401044	6930250814/00	BLM <sup>®</sup> DOUBLE NOZZLE D3F Ø 2.0		
	401045	6930250815/00	BLM <sup>®</sup> DOUBLE NOZZLE D3F Ø 2.3		
	401046	6930250816/00	BLM <sup>®</sup> DOUBLE NOZZLE D3F Ø 2.5		
	401047	6930250817/00	BLM <sup>®</sup> DOUBLE NOZZLE D3F Ø 3.0		
	401048	6930250818/00	BLM <sup>®</sup> DOUBLE NOZZLE D3F Ø 3.5		
2	401040K	6930250810/00	BLM <sup>®</sup> DOUBLE NOZZLE D3F Ø 1.0 SPECIAL CP		
	401041K	6930250811/00	BLM <sup>®</sup> DOUBLE NOZZLE D3F Ø 1.2 SPECIAL CP		
	401042K	6930250812/00	BLM <sup>®</sup> DOUBLE NOZZLE D3F Ø 1.5 SPECIAL CP		
	401043K	6930250813/00	BLM <sup>®</sup> DOUBLE NOZZLE D3F Ø 1.8 SPECIAL CP		
	401044K	6930250814/00	BLM <sup>®</sup> DOUBLE NOZZLE D3F Ø 2.0 SPECIAL CP		
	401045K	6930250815/00	BLM <sup>®</sup> DOUBLE NOZZLE D3F Ø 2.3 SPECIAL CP		
	401046K	6930250816/00	BLM <sup>®</sup> DOUBLE NOZZLE D3F Ø 2.5 SPECIAL CP		
	401047K	6930250817/00	BLM <sup>®</sup> DOUBLE NOZZLE D3F Ø 3.0 SPECIAL CP		
	401048K	6930250818/00	BLM <sup>®</sup> DOUBLE NOZZLE D3F Ø 3.5 SPECIAL CP		

## Replacement parts suitable for BLM<sup>®</sup>

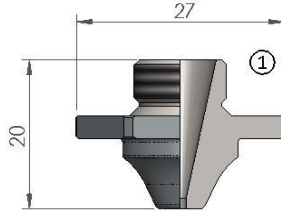


POS	LS. CODE	ORIGINAL CODE	DESCRIPTION	unit price	10 pack price
1	401040CK	6930250810/00	BLM <sup>®</sup> DOUBLE NOZZLE D3F Ø 1.0 CP		
	401041CK	6930250811/00	BLM <sup>®</sup> DOUBLE NOZZLE D3F Ø 1.2 CP		
	401042CK	6930250812/00	BLM <sup>®</sup> DOUBLE NOZZLE D3F Ø 1.5 CP		
	401043CK	6930250813/00	BLM <sup>®</sup> DOUBLE NOZZLE D3F Ø 1.8 CP		
	401044CK	6930250814/00	BLM <sup>®</sup> DOUBLE NOZZLE D3F Ø 2.0 CP		
	401045CK	6930250815/00	BLM <sup>®</sup> DOUBLE NOZZLE D3F Ø 2.3 CP		
	401046CK	6930250816/00	BLM <sup>®</sup> DOUBLE NOZZLE D3F Ø 2.5 CP		
	401047CK	6930250817/00	BLM <sup>®</sup> DOUBLE NOZZLE D3F Ø 3.0 CP		
	401048CK	6930250818/00	BLM <sup>®</sup> DOUBLE NOZZLE D3F Ø 3.5 CP		

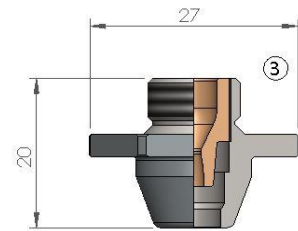
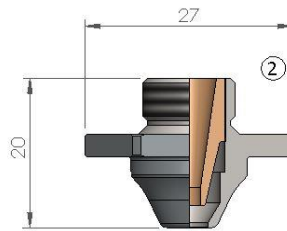
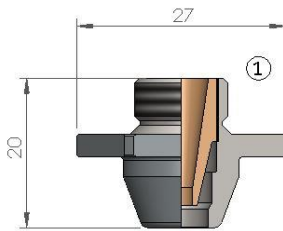


POS	LS. CODE	ORIGINAL CODE	DESCRIPTION	unit price	10 pack price
1	401055K	6930250840	BLM <sup>®</sup> DOUBLE NOZZLE ACB Ø 2.5 SPECIAL CP		
	401058K	6930250839	BLM <sup>®</sup> DOUBLE NOZZLE ACB Ø 4.0 SPECIAL CP		

## Replacement parts suitable for BLM<sup>®</sup>

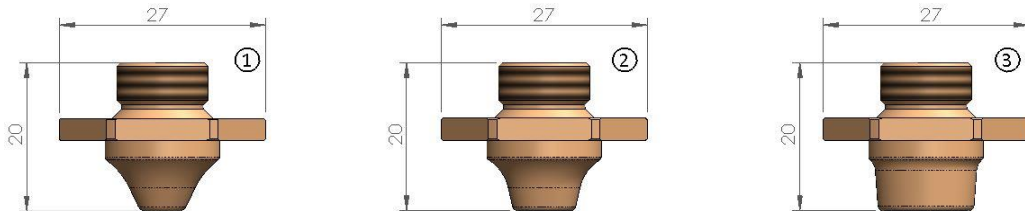


POS	LS. CODE	ORIGINAL CODE	DESCRIPTION	unit price	10 pack price
1	401005K	6930250820/00	BLM <sup>®</sup> NOZZLE NCB Ø 1.5 SPECIAL CP		
	401006K	6930250821/00	BLM <sup>®</sup> NOZZLE NCB Ø 1.8 SPECIAL CP		
	401007K	6930250822/00	BLM <sup>®</sup> NOZZLE NCB Ø 2.0 SPECIAL CP		
	401008K	6930250823/00	BLM <sup>®</sup> NOZZLE NCB Ø 2.3 SPECIAL CP		
	401009K	6930250824/00	BLM <sup>®</sup> NOZZLE NCB Ø 2.5 SPECIAL CP		
	401010K	6930250825/00	BLM <sup>®</sup> NOZZLE NCB Ø 3.0 SPECIAL CP		
	401011K	6930250826/00	BLM <sup>®</sup> NOZZLE NCB Ø 3.5 SPECIAL CP		
	401012K	6930250827/00	BLM <sup>®</sup> NOZZLE NCB Ø 4.0 SPECIAL CP		

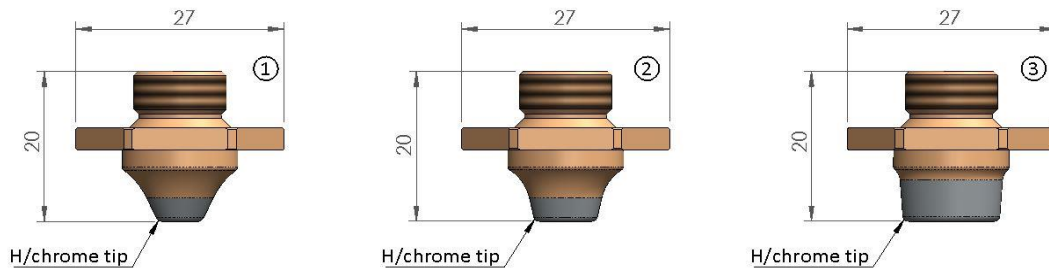


POS	LS. CODE	ORIGINAL CODE	DESCRIPTION	unit price	10 pack price
1	401016K	6930250819	BLM <sup>®</sup> DOUBLE NOZZLE NCB Ø 7.0 SPECIAL CP		
2	401017K	6930250841	BLM <sup>®</sup> DOUBLE NOZZLE NCB Ø 5.0 SPECIAL CP		
3	401018K		BLM <sup>®</sup> DOUBLE NOZZLE QCB Ø 7.0 SPECIAL CP		

## Replacement parts suitable for BLM<sup>®</sup>

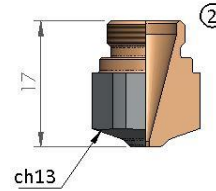
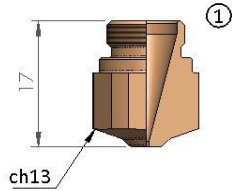


POS	LS. CODE	ORIGINAL CODE	DESCRIPTION	unit price	10 pack price
1	406001		BLM <sup>®</sup> DOUBLE NOZZLE Ø 2.5 - SS		
	406002		BLM <sup>®</sup> DOUBLE NOZZLE Ø 3.0 - SS		
	406003		BLM <sup>®</sup> DOUBLE NOZZLE Ø 4.0 - SS		
2	406004		BLM <sup>®</sup> DOUBLE NOZZLE Ø 6.0 - SS		
3	406005		BLM <sup>®</sup> DOUBLE NOZZLE Ø 10.0 - SS		

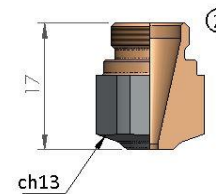
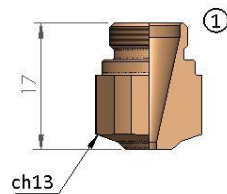


POS	LS. CODE	ORIGINAL CODE	DESCRIPTION	unit price	10 pack price
1	406001CK		BLM <sup>®</sup> DOUBLE NOZZLE Ø2.5 CP - SS		
	406002CK		BLM <sup>®</sup> DOUBLE NOZZLE Ø3.0 CP - SS		
	406003CK		BLM <sup>®</sup> DOUBLE NOZZLE Ø4.0 CP - SS		
2	406004CK		BLM <sup>®</sup> DOUBLE NOZZLE Ø6.0 CP - SS		
3	406005CK		BLM <sup>®</sup> DOUBLE NOZZLE Ø10.0 CP - SS		

## Replacement parts suitable for BYSTRONIC<sup>®</sup>



POS	LS. CODE	ORIGINAL CODE	DESCRIPTION	unit price	10 pack price
1	151001W	3-04277 HK08	BYSTRONIC <sup>®</sup> NOZZLE Ø 0.8 HD		
	151002W	3-01910 HK10	BYSTRONIC <sup>®</sup> NOZZLE Ø 1.0 HD		
	151003W	3-01911 HK12	BYSTRONIC <sup>®</sup> NOZZLE Ø 1.25 HD		
	151004W	3-01912 HK15	BYSTRONIC <sup>®</sup> NOZZLE Ø 1.5 HD		
	151005W	3-01913 HK17	BYSTRONIC <sup>®</sup> NOZZLE Ø 1.75 HD		
2	151001CW	3-04277 HK08	BYSTRONIC <sup>®</sup> NOZZLE Ø 0.8 HD CP		
	151002CW	3-01910 HK10	BYSTRONIC <sup>®</sup> NOZZLE Ø 1.0 HD CP		
	151003CW	3-01911 HK12	BYSTRONIC <sup>®</sup> NOZZLE Ø 1.25 HD CP		
	151004CW	3-01912 HK15	BYSTRONIC <sup>®</sup> NOZZLE Ø 1.5 HD CP		
	151005CW	3-01913 HK17	BYSTRONIC <sup>®</sup> NOZZLE Ø 1.75 HD CP		



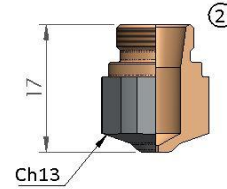
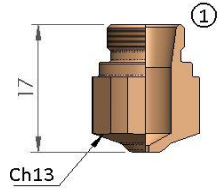
POS	LS. CODE	ORIGINAL CODE	DESCRIPTION	unit price	10 pack price
1	151006W	3-01914 HK20	BYSTRONIC <sup>®</sup> NOZZLE Ø 2.0 HD		
	151007W	3-03854 HK25	BYSTRONIC <sup>®</sup> NOZZLE Ø 2.5 HD		
	151008W	3-06112 HK30	BYSTRONIC <sup>®</sup> NOZZLE Ø 3.0 HD		
	151009W	HK35	BYSTRONIC <sup>®</sup> NOZZLE Ø 3.5 HD		
	151010W	HK40	BYSTRONIC <sup>®</sup> NOZZLE Ø 4.0 HD		
2	151006CW	3-01914 HK20	BYSTRONIC <sup>®</sup> NOZZLE Ø 2.0 HD CP		
	151007CW	3-03854 HK25	BYSTRONIC <sup>®</sup> NOZZLE Ø 2.5 HD CP		
	151008CW	3-06112 HK30	BYSTRONIC <sup>®</sup> NOZZLE Ø 3.0 HD CP		
	151009CW	HK35	BYSTRONIC <sup>®</sup> NOZZLE Ø 3.5 HD CP		
	151010CW	HK40	BYSTRONIC <sup>®</sup> NOZZLE Ø 4.0 HD CP		

---



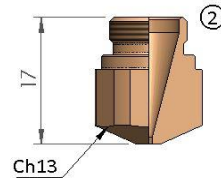
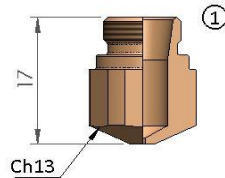
---

## Replacement parts suitable for BYSTRONIC<sup>®</sup>



POS	LS. CODE	ORIGINAL CODE	DESCRIPTION	unit price	10 pack price
1	151014W	3-04273 K08	BYSTRONIC <sup>®</sup> NOZZLE Ø 0.8		
	151015W	3-01905 K10	BYSTRONIC <sup>®</sup> NOZZLE Ø 1.0		
	151016W	3-01906 K12	BYSTRONIC <sup>®</sup> NOZZLE Ø 1.25		
	151017W	3-01907 K15	BYSTRONIC <sup>®</sup> NOZZLE Ø 1.5		
	151018W	3-01908 K17	BYSTRONIC <sup>®</sup> NOZZLE Ø 1.75		
	151019W	3-01909 K20	BYSTRONIC <sup>®</sup> NOZZLE Ø 2.0		
	151020W	3-04274 K25	BYSTRONIC <sup>®</sup> NOZZLE Ø 2.5		
	151021W	3-04275 K30	BYSTRONIC <sup>®</sup> NOZZLE Ø 3.0		
2	151014CW	3-04273 K08	BYSTRONIC <sup>®</sup> NOZZLE Ø 0.8 CP		
	151015CW	3-01905 K10	BYSTRONIC <sup>®</sup> NOZZLE Ø 1.0 CP		
	151016CW	3-01906 K12	BYSTRONIC <sup>®</sup> NOZZLE Ø 1.25 CP		
	151017CW	3-01907 K15	BYSTRONIC <sup>®</sup> NOZZLE Ø 1.5 CP		
	151018CW	3-01908 K17	BYSTRONIC <sup>®</sup> NOZZLE Ø 1.75 CP		
	151019CW	3-01909 K20	BYSTRONIC <sup>®</sup> NOZZLE Ø 2.0 CP		
	151020CW	3-04274 K25	BYSTRONIC <sup>®</sup> NOZZLE Ø 2.5 CP		
	151021CW	3-04275 K30	BYSTRONIC <sup>®</sup> NOZZLE Ø 3.0 CP		

## Replacement parts suitable for BYSTRONIC<sup>®</sup>



POS	LS. CODE	ORIGINAL CODE	DESCRIPTION	unit price	10 pack price
1	151023W	3-04273 K08	BYSTRONIC <sup>®</sup> NOZZLE Ø 0.8		
	151024W	3-01905 K10	BYSTRONIC <sup>®</sup> NOZZLE Ø 1.0		
	151025W	3-01906 K12	BYSTRONIC <sup>®</sup> NOZZLE Ø 1.25		
	151026W	3-01907 K15	BYSTRONIC <sup>®</sup> NOZZLE Ø 1.5		
	151027W	3-01908 K17	BYSTRONIC <sup>®</sup> NOZZLE Ø 1.75		
	151028W	3-01909 K20	BYSTRONIC <sup>®</sup> NOZZLE Ø 2.0		
2	151035W	3-01910 HK10	BYSTRONIC <sup>®</sup> NOZZLE Ø 1.0		
	151036W	3-01911 HK12	BYSTRONIC <sup>®</sup> NOZZLE Ø 1.25		
	151037W	3-01912 HK15	BYSTRONIC <sup>®</sup> NOZZLE Ø 1.5		
	151038W	3-01913 HK17	BYSTRONIC <sup>®</sup> NOZZLE Ø 1.75		
	151039W	3-01914 HK20	BYSTRONIC <sup>®</sup> NOZZLE Ø 2.0		

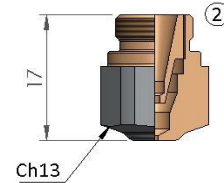
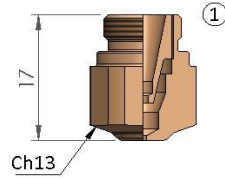


---



---

## Replacement parts suitable for BYSTRONIC<sup>®</sup>



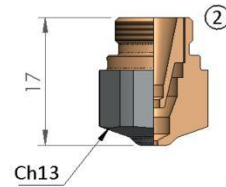
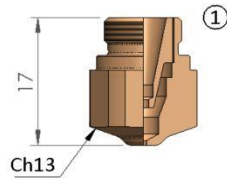
POS	LS. CODE	ORIGINAL CODE	DESCRIPTION	unit price	10 pack price
1	151040W	3-16058 NK10 - 15	BYSTRONIC <sup>®</sup> DOUBLE NOZZLE Ø 1.0		
	151041W	3-16059 NK12- 15	BYSTRONIC <sup>®</sup> DOUBLE NOZZLE Ø 1.25		
	151042W	3-16060 NK15- 15	BYSTRONIC <sup>®</sup> DOUBLE NOZZLE Ø 1.5		
	151043W	3-14317 NK17 - 15	BYSTRONIC <sup>®</sup> DOUBLE NOZZLE Ø 1.75		
	151044W	3-14318 NK20 - 15	BYSTRONIC <sup>®</sup> DOUBLE NOZZLE Ø 2.0		
	151045W	3-14319 NK25 - 15	BYSTRONIC <sup>®</sup> DOUBLE NOZZLE Ø 2.5		
	151046W	3-16256 NK25 - 20	BYSTRONIC <sup>®</sup> DOUBLE NOZZLE Ø 2.5		
	151047W	3-16061 NK30 - 17	BYSTRONIC <sup>®</sup> DOUBLE NOZZLE Ø 3.0		
	151048W	3-16257 NK30 - 20	BYSTRONIC <sup>®</sup> DOUBLE NOZZLE Ø 3.0		
	151049W	NK35-30	BYSTRONIC <sup>®</sup> DOUBLE NOZZLE Ø 3.5		
2	151040CW	3-16058 NK10 - 15	BYSTRONIC <sup>®</sup> DOUBLE NOZZLE Ø 1.0 CP		
	151041CW	3-16059 NK12- 15	BYSTRONIC <sup>®</sup> DOUBLE NOZZLE Ø 1.25 CP		
	151042CW	3-16060 NK15- 15	BYSTRONIC <sup>®</sup> DOUBLE NOZZLE Ø 1.5CP		
	151043CW	3-14317 NK17 - 15	BYSTRONIC <sup>®</sup> DOUBLE NOZZLE Ø 1.75 CP		
	151044CW	3-14318 NK20 - 15	BYSTRONIC <sup>®</sup> DOUBLE NOZZLE Ø 2.0 CP		
	151045CW	3-14319 NK25 - 15	BYSTRONIC <sup>®</sup> DOUBLE NOZZLE Ø 2.5 CP		
	151046CW	3-16256 NK25 - 20	BYSTRONIC <sup>®</sup> DOUBLE NOZZLE Ø 2.5 CP		
	151047CW	3-16061 NK30 - 17	BYSTRONIC <sup>®</sup> DOUBLE NOZZLE Ø 3.0 CP		
	151048CW	3-16257 NK30 - 20	BYSTRONIC <sup>®</sup> DOUBLE NOZZLE Ø 3.0 CP		
	151049CW	NK35-30	BYSTRONIC <sup>®</sup> DOUBLE NOZZLE Ø 3.5 CP		

---



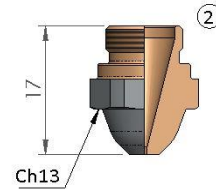
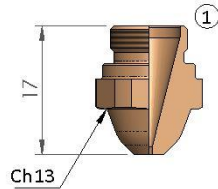
---

## Replacement parts suitable for BYSTRONIC<sup>®</sup>



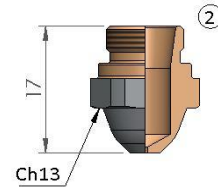
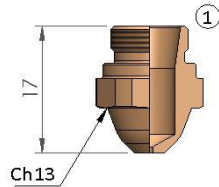
POS	LS. CODE	ORIGINAL CODE	DESCRIPTION	unit price	10 pack price
1	151030W	3-16058 NK10 - 15	BYSTRONIC <sup>®</sup> DOUBLE NOZZLE Ø 1.0		
	151031W	3-16059 NK12 - 15	BYSTRONIC <sup>®</sup> DOUBLE NOZZLE Ø 1.25		
	151032W	3-16060 NK15 - 15	BYSTRONIC <sup>®</sup> DOUBLE NOZZLE Ø 1.5		
	151033W	3-14317 NK17 - 15	BYSTRONIC <sup>®</sup> DOUBLE NOZZLE Ø 1.75		
2	151030CW	3-16058 NK10 - 15	BYSTRONIC <sup>®</sup> DOUBLE NOZZLE Ø 1.0 CP		
	151031CW	3-16059 NK12 - 15	BYSTRONIC <sup>®</sup> DOUBLE NOZZLE Ø 1.25 CP		
	151032CW	3-16060 NK15 - 15	BYSTRONIC <sup>®</sup> DOUBLE NOZZLE Ø 1.5 CP		
	151033CW	3-14317 NK17 - 15	BYSTRONIC <sup>®</sup> DOUBLE NOZZLE Ø 1.75 CP		

## Replacement parts suitable for BYSTRONIC<sup>®</sup>

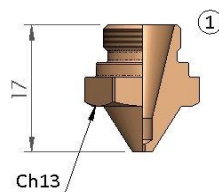


POS	LS. CODE	ORIGINAL CODE	DESCRIPTION	unit price	10 pack price
1	151055W	3-04275 H08	BYSTRONIC <sup>®</sup> NOZZLE Ø 0.8 HD		
	151056W	3-01899 H10	BYSTRONIC <sup>®</sup> NOZZLE Ø 1.0 HD		
	151057W	3-01900 H12	BYSTRONIC <sup>®</sup> NOZZLE Ø 1.25 HD		
	151058W	3-01901 H15	BYSTRONIC <sup>®</sup> NOZZLE Ø 1.5 HD		
	151059W	3-01902 H17	BYSTRONIC <sup>®</sup> NOZZLE Ø 1.75 HD		
	151060W	3-01903 H20	BYSTRONIC <sup>®</sup> NOZZLE Ø 2.0 HD		
	151061W	3-04276 H25	BYSTRONIC <sup>®</sup> NOZZLE Ø 2.5 HD		
	151062W	H30	BYSTRONIC <sup>®</sup> NOZZLE Ø 3.0 HD		
2	151055CW	3-04275 H08	BYSTRONIC <sup>®</sup> NOZZLE Ø 0.8 HD CP		
	151056CW	3-01899 H10	BYSTRONIC <sup>®</sup> NOZZLE Ø 1.0 HD CP		
	151057CW	3-01900 H12	BYSTRONIC <sup>®</sup> NOZZLE Ø 1.25 HD CP		
	151058CW	3-01901 H15	BYSTRONIC <sup>®</sup> NOZZLE Ø 1.5 HD CP		
	151059CW	3-01902 H17	BYSTRONIC <sup>®</sup> NOZZLE Ø 1.75 HD CP		
	151060CW	3-01903 H20	BYSTRONIC <sup>®</sup> NOZZLE Ø 2.0 HD CP		
	151061CW	3-04276 H25	BYSTRONIC <sup>®</sup> NOZZLE Ø 2.5 HD CP		
	151062CW	H30	BYSTRONIC <sup>®</sup> NOZZLE Ø 3.0 HD CP		

## Replacement parts suitable for BYSTRONIC<sup>®</sup>

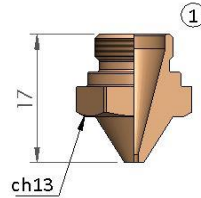


POS	LS. CODE	ORIGINAL CODE	DESCRIPTION	unit price	10 pack price
1	151065W	3-04271 08	BYSTRONIC <sup>®</sup> NOZZLE Ø 0.8		
	151066W	3-01894 10	BYSTRONIC <sup>®</sup> NOZZLE Ø 1.0		
	151067W	3-01895 12	BYSTRONIC <sup>®</sup> NOZZLE Ø 1.25		
	151068W	3-01896 15	BYSTRONIC <sup>®</sup> NOZZLE Ø 1.5		
	151069W	3-01897 17	BYSTRONIC <sup>®</sup> NOZZLE Ø 1.75		
	151070W	3-01898 20	BYSTRONIC <sup>®</sup> NOZZLE Ø 2.0		
	151071W	3-04272 25	BYSTRONIC <sup>®</sup> NOZZLE Ø 2.5		
2	151065CW	3-04271 08	BYSTRONIC <sup>®</sup> NOZZLE Ø 0.8 CP		
	151066CW	3-01894 10	BYSTRONIC <sup>®</sup> NOZZLE Ø 1.0 CP		
	151067CW	3-01895 12	BYSTRONIC <sup>®</sup> NOZZLE Ø 1.25 CP		
	151068CW	3-01896 15	BYSTRONIC <sup>®</sup> NOZZLE Ø 1.5 CP		
	151069CW	3-01897 17	BYSTRONIC <sup>®</sup> NOZZLE Ø 1.75 CP		
	151070CW	3-01898 20	BYSTRONIC <sup>®</sup> NOZZLE Ø 2.0 CP		
	151071CW	3-04272 25	BYSTRONIC <sup>®</sup> NOZZLE Ø 2.5 CP		

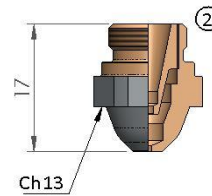
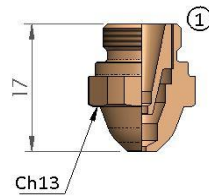


POS	LS. CODE	ORIGINAL CODE	DESCRIPTION	unit price	10 pack price
1	151085W	3-04271 08	BYSTRONIC <sup>®</sup> NOZZLE Ø 0.8		
	151086W	3-01894 10	BYSTRONIC <sup>®</sup> NOZZLE Ø 1.0		
	151087W	3-01895 12	BYSTRONIC <sup>®</sup> NOZZLE Ø 1.25		
	151088W	3-01896 15	BYSTRONIC <sup>®</sup> NOZZLE Ø 1.5		
	151089W	3-01897 17	BYSTRONIC <sup>®</sup> NOZZLE Ø 1.75		
	151090W	3-01898 20	BYSTRONIC <sup>®</sup> NOZZLE Ø 2.0		

## Replacement parts suitable for BYSTRONIC<sup>®</sup>

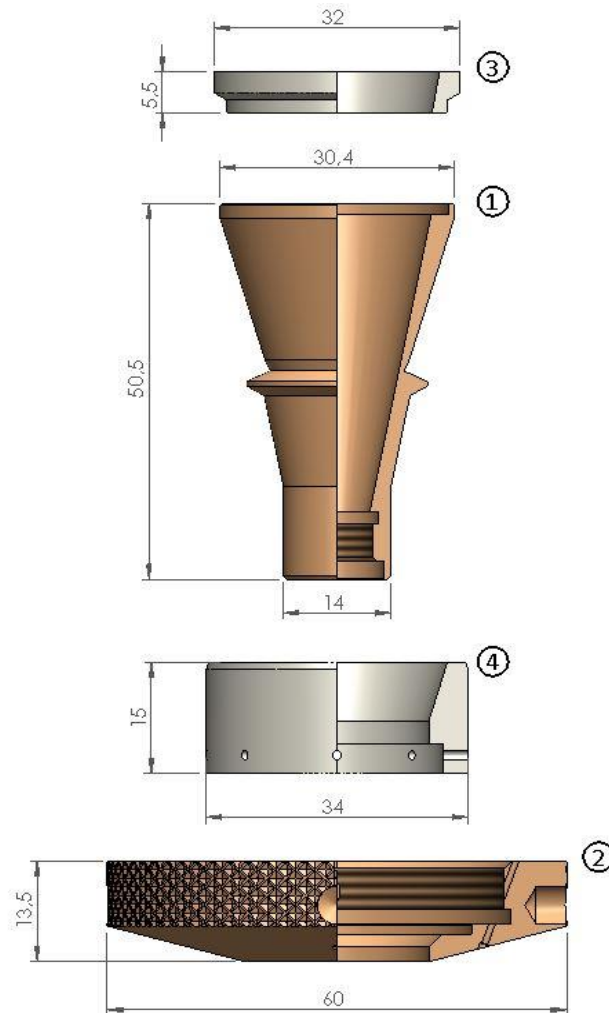


POS	LS. CODE	ORIGINAL CODE	DESCRIPTION	unit price	10 pack price
1	151092W	3-01899 H10	BYSTRONIC <sup>®</sup> DOUBLE NOZZLE Ø 1.0 HD		
	151093W	3-01900 H12	BYSTRONIC <sup>®</sup> DOUBLE NOZZLE Ø 1.25 HD		
	151094W	3-01901 H15	BYSTRONIC <sup>®</sup> DOUBLE NOZZLE Ø 1.5 HD		
	151095W	3-01902 H17	BYSTRONIC <sup>®</sup> DOUBLE NOZZLE Ø 1.75 HD		
	151096W	3-01903 H20	BYSTRONIC <sup>®</sup> DOUBLE NOZZLE Ø 2.0 HD		



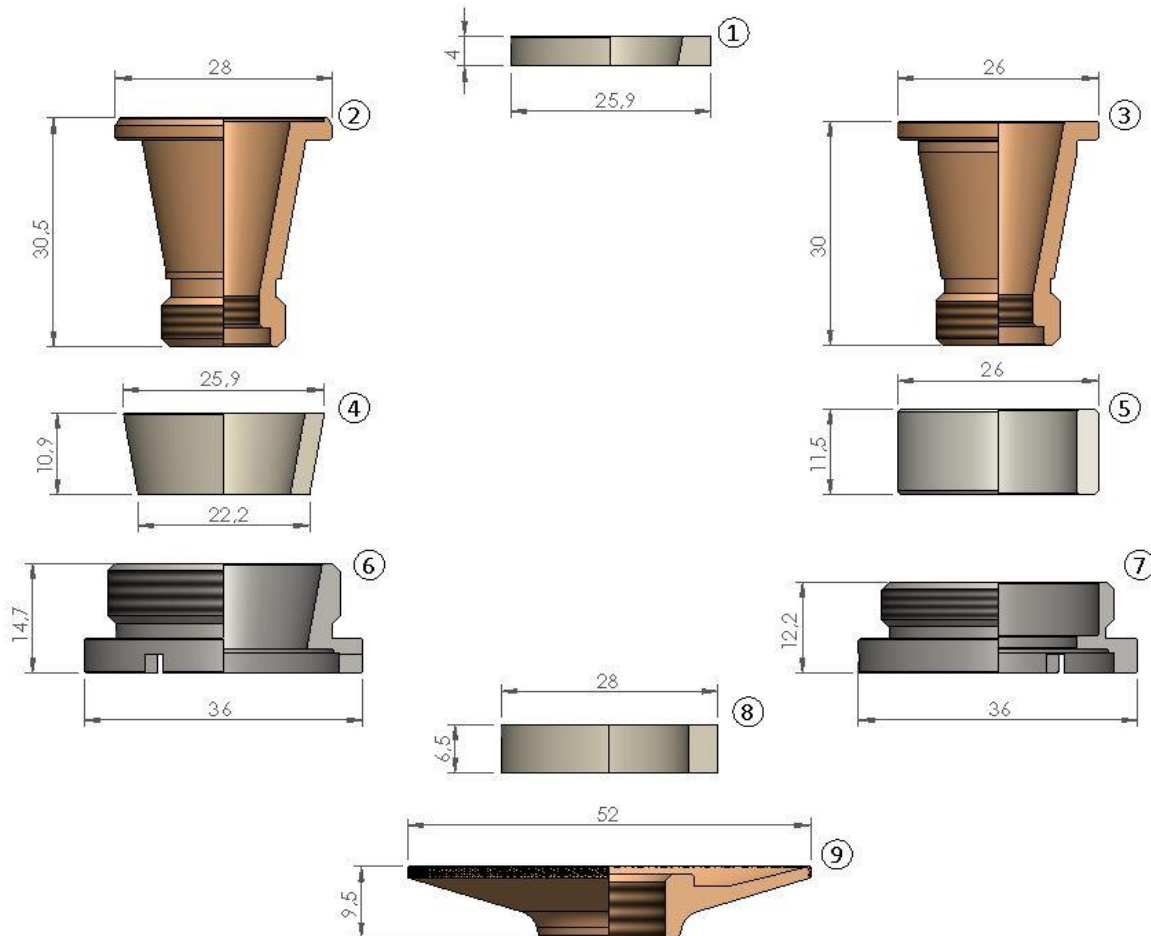
POS	LS. CODE	ORIGINAL CODE	DESCRIPTION	unit price	10 pack price
1	151075W	N10-15	BYSTRONIC <sup>®</sup> DOUBLE NOZZLE Ø 1.0		
	151076W	N12-15	BYSTRONIC <sup>®</sup> DOUBLE NOZZLE Ø 1.25		
	151077W	N15-15	BYSTRONIC <sup>®</sup> DOUBLE NOZZLE Ø 1.5		
	151078W	N17-15	BYSTRONIC <sup>®</sup> DOUBLE NOZZLE Ø 1.75		
	151079W	N20-15	BYSTRONIC <sup>®</sup> DOUBLE NOZZLE Ø 2.0		
	151080W	N25-15	BYSTRONIC <sup>®</sup> DOUBLE NOZZLE Ø 2.5		
	151081W	N25-20	BYSTRONIC <sup>®</sup> DOUBLE NOZZLE Ø 2.5		
	151082W	N30-17	BYSTRONIC <sup>®</sup> DOUBLE NOZZLE Ø 3.0		
	151083W	N30-20	BYSTRONIC <sup>®</sup> DOUBLE NOZZLE Ø 3.0		
2	151075CW	N10-15	BYSTRONIC <sup>®</sup> DOUBLE NOZZLE Ø 1.0 CP		
	151076CW	N12-15	BYSTRONIC <sup>®</sup> DOUBLE NOZZLE Ø 1.25 CP		
	151077CW	N15-15	BYSTRONIC <sup>®</sup> DOUBLE NOZZLE Ø 1.5 CP		
	151078CW	N17-15	BYSTRONIC <sup>®</sup> DOUBLE NOZZLE Ø 1.75 CP		
	151079CW	N20-15	BYSTRONIC <sup>®</sup> DOUBLE NOZZLE Ø 2.0 CP		
	151080CW	N25-15	BYSTRONIC <sup>®</sup> DOUBLE NOZZLE Ø 2.5 CP		
	151081CW	N25-20	BYSTRONIC <sup>®</sup> DOUBLE NOZZLE Ø 2.5 CP		
	151082CW	N30-17	BYSTRONIC <sup>®</sup> DOUBLE NOZZLE Ø 3.0 CP		
	151083CW	N30-20	BYSTRONIC <sup>®</sup> DOUBLE NOZZLE Ø 3.0 CP		

## Replacement parts suitable for BYSTRONIC<sup>®</sup>



POS	LS. CODE	ORIGINAL CODE	DESCRIPTION	unit price	10 pack price
1	159020	2-10837	BYSTRONIC <sup>®</sup> NOZZLE BODY		
2	159025	3-13110	BYSTRONIC <sup>®</sup> COPPER SHIELD		
3	159022	3-13113	BYSTRONIC <sup>®</sup> INSULATING RING		
4	159024	3-13422	BYSTRONIC <sup>®</sup> INSULATING RING WITH HOLES		

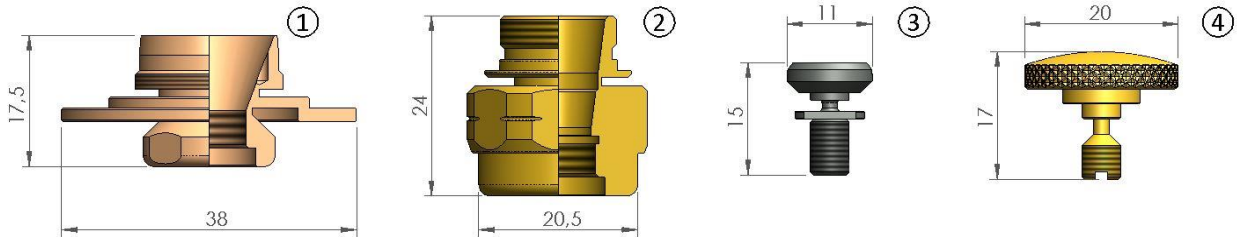
## Replacement parts suitable for BYSTRONIC<sup>®</sup>



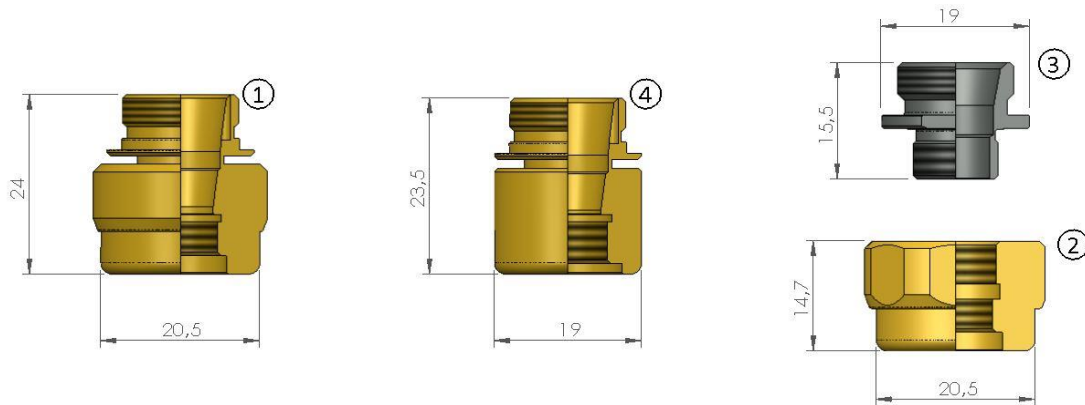
POS	LS. CODE	ORIGINAL CODE	DESCRIPTION	unit price	10 pack price
1	159004	4-01642	BYSTRONIC <sup>®</sup> CERAMIC INSULATING DISC		
	159005	4-01642	BYSTRONIC <sup>®</sup> CERAMIC INSULATING DISC NEW VERSION		
2	159001	2-08701	BYSTRONIC <sup>®</sup> NOZZLE BODY		
3	159002	10032930	BYSTRONIC <sup>®</sup> NOZZLE BODY		
4	159006	4-01959	BYSTRONIC <sup>®</sup> CERAMIC CONE		
	159007	4-01959	BYSTRONIC <sup>®</sup> CERAMIC CONE - NEW VERSION		
5	159010	10032838	BYSTRONIC <sup>®</sup> CERAMIC INSULATING RING		
6	159013	3-11071	BYSTRONIC <sup>®</sup> FASTENING NUT		
7	159014	10032839	BYSTRONIC <sup>®</sup> FASTENING NUT		
8	159008	4-09010	BYSTRONIC <sup>®</sup> CERAMIC INSULATING RING		
5	159017	2-08700	BYSTRONIC <sup>®</sup> SIGNBOARD		



## Replacement parts suitable for BYSTRONIC<sup>®</sup>



POS	LS. CODE	ORIGINAL CODE	DESCRIPTION	unit price	10 pack price
1	159035	10051133	BYSTRONIC <sup>®</sup> ADAPTER mSB		
2	159036	10064099	BYSTRONIC <sup>®</sup> NOZZLE BODY		
3	159029	3-09001	BYSTRONIC <sup>®</sup> SCREW FOR CROSS-JET		
4	159028	4-03136	BYSTRONIC <sup>®</sup> KNURLED SCREW - BRASS		

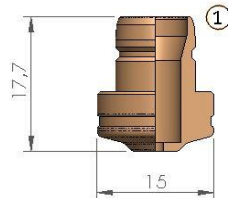


POS	LS. CODE	ORIGINAL CODE	DESCRIPTION	unit price	10 pack price
1	159037		BYSTRONIC <sup>®</sup> NOZZLE BODY		
2	159040	10071494	BYSTRONIC <sup>®</sup> NOZZLE BODY		
3	159041	10075057	BYSTRONIC <sup>®</sup> COUPLING		
4	159038		BISTRONIC <sup>®</sup> NOZZLE BODY		

## Replacement parts suitable for BYSTRONIC<sup>®</sup>



POS	LS. CODE	ORIGINAL CODE	DESCRIPTION	unit price	10 pack price
1	152001W	10048529 HK08	BYSTRONIC <sup>®</sup> NOZZLE Ø 0.8		
	152002W	10035266 HK10	BYSTRONIC <sup>®</sup> NOZZLE Ø 1.0		
	152003W	10035267 HK12	BYSTRONIC <sup>®</sup> NOZZLE Ø 1.2		
	152004W	10035268 HK15	BYSTRONIC <sup>®</sup> NOZZLE Ø 1.5		
	152005W	10035269 HK17	BYSTRONIC <sup>®</sup> NOZZLE Ø 1.75		
	152006W	10035270 HK20	BYSTRONIC <sup>®</sup> NOZZLE Ø 2.0		
	152007W	10035271, HK25	BYSTRONIC <sup>®</sup> NOZZLE Ø 2.5		
	152008W	10035272 HK30	BYSTRONIC <sup>®</sup> NOZZLE Ø 3.0		
	152009W	10049744 HK35	BYSTRONIC <sup>®</sup> NOZZLE Ø 3.5		
2	152015W	10049747 NK10-15	BYSTRONIC <sup>®</sup> DOUBLE NOZZLE Ø 1.0		
	152016W	10035275 NK12-15	BYSTRONIC <sup>®</sup> DOUBLE NOZZLE Ø 1.2		
	152017W	10035278 NK15-15	BYSTRONIC <sup>®</sup> DOUBLE NOZZLE Ø 1.5		
	152018W	10035290 NK17-15	BYSTRONIC <sup>®</sup> DOUBLE NOZZLE Ø 1.75		
	152019W	10035292 NK20-15	BYSTRONIC <sup>®</sup> DOUBLE NOZZLE Ø 2.0		
	152020W	10035294 NK25-15	BYSTRONIC <sup>®</sup> DOUBLE NOZZLE Ø 2.5		
	152021W	10035296 NK25-20	BYSTRONIC <sup>®</sup> DOUBLE NOZZLE Ø 2.5		
	152022W	10035298 NK30-17	BYSTRONIC <sup>®</sup> DOUBLE NOZZLE Ø 3.5		
	152023W	10035301 NK30-20	BYSTRONIC <sup>®</sup> DOUBLE NOZZLE Ø 3.0		
	152024W	10035303 NK35-30	BYSTRONIC <sup>®</sup> DOUBLE NOZZLE Ø 3.5		
	152025W	10068496 NK35-17	BYSTRONIC <sup>®</sup> DOUBLE NOZZLE Ø 3.5		
	152026W	10068496 NK40-17	BYSTRONIC <sup>®</sup> DOUBLE NOZZLE Ø 4.0		



POS	LS. CODE	ORIGINAL CODE	DESCRIPTION	unit price	10 pack price
1	152030W	10039202	BYSTRONIC <sup>®</sup> NOZZLE Ø 2.0		

## Replacement parts suitable for BYSTRONIC<sup>®</sup>

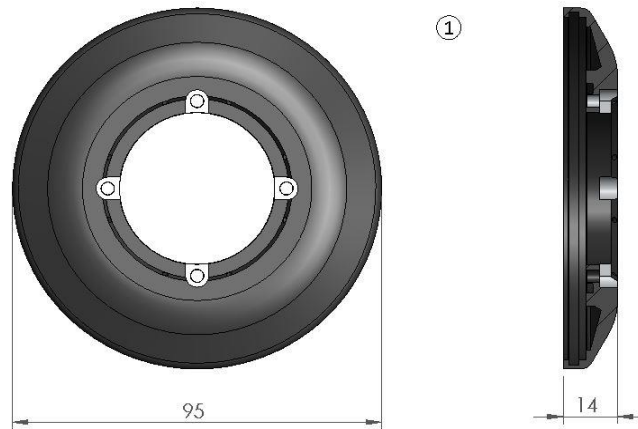


POS	LS. CODE	ORIGINAL CODE	DESCRIPTION	unit price	10 pack price
1	152032CKW	10084700	BYSTRONIC <sup>®</sup> NOZZLE Ø2.0 F20 DW		
	152033CKW	10084701	BYSTRONIC <sup>®</sup> NOZZLE Ø2.5 F25 DW		
	152034CKW	10066333	BYSTRONIC <sup>®</sup> NOZZLE Ø3.0 F30 DW		
	152035CKW	10066332, 10090091	BYSTRONIC <sup>®</sup> NOZZLE Ø3.5 F35 DW		
2	152036CKW	10068494, 10090092	BYSTRONIC <sup>®</sup> NOZZLE Ø5.0 F50 DW		
	152037CKW	10066331	BYSTRONIC <sup>®</sup> NOZZLE Ø4.0 F40 DW		
	152038CKW	10066330	BYSTRONIC <sup>®</sup> NOZZLE Ø4.5 F45 DW		
	152039CKW	10086053	BYSTRONIC <sup>®</sup> NOZZLE Ø5.5 F55 DW		
	152040CKW	10086069	BYSTRONIC <sup>®</sup> NOZZLE Ø6.0 F60 DW		

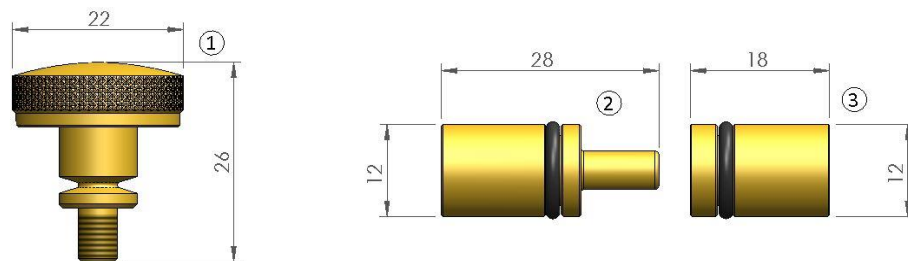


POS	LS. CODE	ORIGINAL CODE	DESCRIPTION	unit price	10 pack price
1	153001CKW	10089806	BYSTRONIC <sup>®</sup> NOZZLE Ø2.0 F20		
	153002CKW	10089805	BYSTRONIC <sup>®</sup> NOZZLE Ø2.5 F25		
	153003CKW	10089803	BYSTRONIC <sup>®</sup> NOZZLE Ø3.0 F30		
	153004CKW	10090089	BYSTRONIC <sup>®</sup> NOZZLE Ø3.5 F35		
2	153005CKW	10089802	BYSTRONIC <sup>®</sup> NOZZLE Ø4.0 F40		
	153006CKW	10089800	BYSTRONIC <sup>®</sup> NOZZLE Ø4.5 F45		
	153007CKW	10090090	BYSTRONIC <sup>®</sup> NOZZLE Ø5.0 F50		
	153008CKW	10089799	BYSTRONIC <sup>®</sup> NOZZLE Ø5.5 F55		
	153009CKW	10089798	BYSTRONIC <sup>®</sup> NOZZLE Ø6.0 F60		

## Replacement parts suitable for BYSTRONIC<sup>®</sup>

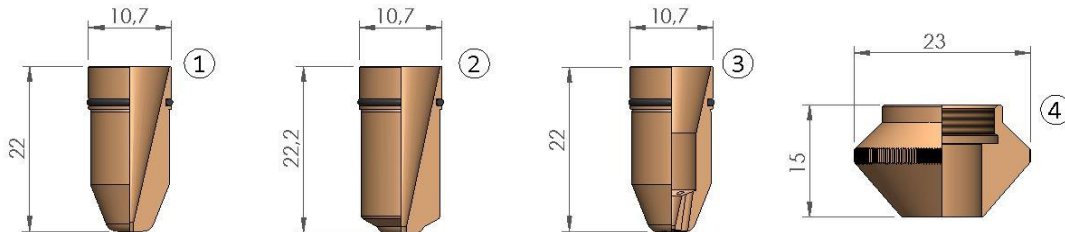


POS	LS. CODE	ORIGINAL CODE	DESCRIPTION	unit price	10 pack price
1	159050	2-03243 Kunde 24608	BYSTRONIC <sup>®</sup> FRONT PLATE		



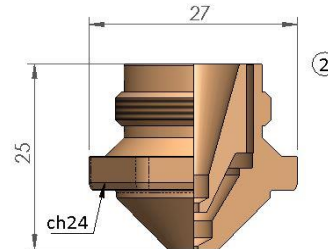
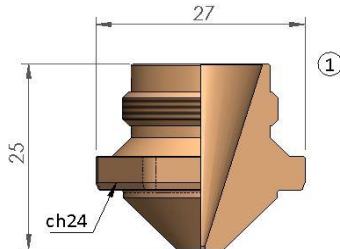
POS	LS. CODE	ORIGINAL CODE	DESCRIPTION	unit price	10 pack price
1	159031	4-04976	BYSTRONIC <sup>®</sup> KNURLED SCREW		
2	159045	7023207	BYSTRONIC <sup>®</sup> MALE WATER CONNECTOR		
3	159046	7023208	BYSTRONIC <sup>®</sup> FEMALE WATER CONNECTOR		
2+3	159047	7023207, 7023208	BYSTRONIC <sup>®</sup> WATER CONNECTOR MALE + FEMALE		

## Replacement parts suitable for CINCINNATI<sup>®</sup>



POS	LS. CODE	ORIGINAL CODE	DESCRIPTION	unit price	10 pack price
1	351002	924635	CINCINNATI <sup>®</sup> NOZZLE Ø 1.0 WITH O-RING		
	351002W	924635	CINCINNATI <sup>®</sup> NOZZLE Ø 1.0 WITH O-RING		
	351003		CINCINNATI <sup>®</sup> NOZZLE Ø 1.2 WITH O-RING		
	351003W		CINCINNATI <sup>®</sup> NOZZLE Ø 1.2 WITH O-RING		
	351004		CINCINNATI <sup>®</sup> NOZZLE Ø 1.3 WITH O-RING		
	351004W		CINCINNATI <sup>®</sup> NOZZLE Ø 1.3 WITH O-RING		
	351005		CINCINNATI <sup>®</sup> NOZZLE Ø 1.4 WITH O-RING		
	351005W		CINCINNATI <sup>®</sup> NOZZLE Ø 1.4 WITH O-RING		
	351006	909660	CINCINNATI <sup>®</sup> NOZZLE Ø 1.5 WITH O-RING		
	351006W	909660	CINCINNATI <sup>®</sup> NOZZLE Ø 1.5 WITH O-RING		
	351007	910315	CINCINNATI <sup>®</sup> NOZZLE Ø 2.0 WITH O-RING		
	351007W	910315	CINCINNATI <sup>®</sup> NOZZLE Ø 2.0 WITH O-RING		
	351008	924638, 913191	CINCINNATI <sup>®</sup> NOZZLE Ø 2.5 WITH O-RING		
	351008W	924638, 913191	CINCINNATI <sup>®</sup> NOZZLE Ø 2.5 WITH O-RING		
	351009	924634	CINCINNATI <sup>®</sup> NOZZLE Ø 3.0 WITH O-RING		
351009W	924634	CINCINNATI <sup>®</sup> NOZZLE Ø 3.0 WITH O-RING			
2	351020	924636, 913188	CINCINNATI <sup>®</sup> NOZZLE Ø 1.5 WITH O-RING		
	351020W	924636, 913188	CINCINNATI <sup>®</sup> NOZZLE Ø 1.5 WITH O-RING		
	351021	924637, 913190	CINCINNATI <sup>®</sup> NOZZLE Ø 2.0 WITH O-RING		
	351021W	924637, 913190	CINCINNATI <sup>®</sup> NOZZLE Ø 2.0 WITH O-RING		
3	352001	923013	CINCINNATI <sup>®</sup> SHOWER NOZZLE Ø 1.0 WITH O-RING		
	352001W	923013	CINCINNATI <sup>®</sup> SHOWER NOZZLE Ø 1.0 WITH O-RING		
	352002	923014	CINCINNATI <sup>®</sup> SHOWER NOZZLE Ø 1.5 WITH O-RING		
	352002W	923014	CINCINNATI <sup>®</sup> SHOWER NOZZLE Ø 1.5 WITH O-RING		
	352003	910315-S	CINCINNATI <sup>®</sup> SHOWER NOZZLE Ø 2,0 WITH O-RING		
	352003W	910315-S	CINCINNATI <sup>®</sup> SHOWER NOZZLE Ø 2,0 WITH O-RING		
4	359001	923021	CINCINNATI <sup>®</sup> TIP RETAINER NUT		

## Replacement parts suitable for DURMA<sup>®</sup>



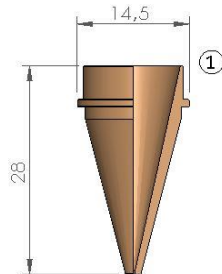
POS	LS. CODE	ORIGINAL CODE	DESCRIPTION	unit price	10 pack price
1	261003		DURMA <sup>®</sup> NOZZLE Ø 1.2		
	261003V		DURMA <sup>®</sup> NOZZLE Ø 1.2		
	261004		DURMA <sup>®</sup> NOZZLE Ø 1.5		
	261004V		DURMA <sup>®</sup> NOZZLE Ø 1.5		
	261005		DURMA <sup>®</sup> NOZZLE Ø 1.8		
	261005V		DURMA <sup>®</sup> NOZZLE Ø 1.8		
	261006		DURMA <sup>®</sup> NOZZLE Ø 2.0		
	261006V		DURMA <sup>®</sup> NOZZLE Ø 2.0		
	261007		DURMA <sup>®</sup> NOZZLE Ø 2.5		
	261007V		DURMA <sup>®</sup> NOZZLE Ø 2.5		
	261008		DURMA <sup>®</sup> NOZZLE Ø 3.0		
	261008V		DURMA <sup>®</sup> NOZZLE Ø 3.0		
	261010		DURMA <sup>®</sup> NOZZLE Ø 4.0		
	261010V		DURMA <sup>®</sup> NOZZLE Ø 4.0		
2	261013		DURMA <sup>®</sup> DOUBLE NOZZLE Ø 1.2		
	261013V		DURMA <sup>®</sup> DOUBLE NOZZLE Ø 1.2		
	261014		DURMA <sup>®</sup> DOUBLE NOZZLE Ø 1.5		
	261014V		DURMA <sup>®</sup> DOUBLE NOZZLE Ø 1.5		
	261015		DURMA <sup>®</sup> DOUBLE NOZZLE Ø 1.8		
	261015V		DURMA <sup>®</sup> DOUBLE NOZZLE Ø 1.8		
	261016		DURMA <sup>®</sup> DOUBLE NOZZLE Ø 2.0		
	261016V		DURMA <sup>®</sup> DOUBLE NOZZLE Ø 2.0		
	261017		DURMA <sup>®</sup> DOUBLE NOZZLE Ø 2.5		
	261017V		DURMA <sup>®</sup> DOUBLE NOZZLE Ø 2.5		
	261018		DURMA <sup>®</sup> DOUBLE NOZZLE Ø 3.0		
	261018V		DURMA <sup>®</sup> DOUBLE NOZZLE Ø 3.0		
	261019		DURMA <sup>®</sup> DOUBLE NOZZLE Ø 3.5		
	261019V		DURMA <sup>®</sup> DOUBLE NOZZLE Ø 3.5		
	261020		DURMA <sup>®</sup> DOUBLENOZZLE Ø 4.0		
	261020V		DURMA <sup>®</sup> DOUBLE NOZZLE Ø 4.0		

---



---

Replacement parts suitable for HAAS<sup>®</sup>



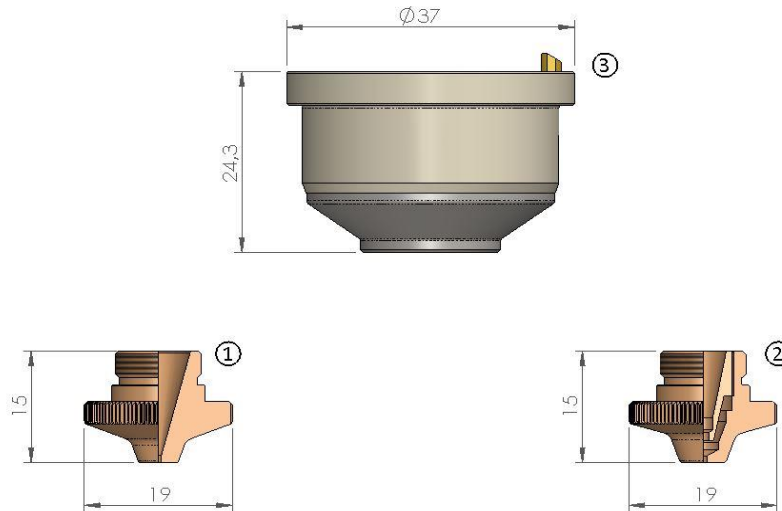
POS	LS. CODE	ORIGINAL CODE	DESCRIPTION	unit price	10 pack price
1	361001		HASS <sup>®</sup> NOZZLE Ø 0.5		
	361002		HASS <sup>®</sup> NOZZLE Ø 1.0		



---



---

**Replacement parts suitable for HANKWANG<sup>®</sup>**


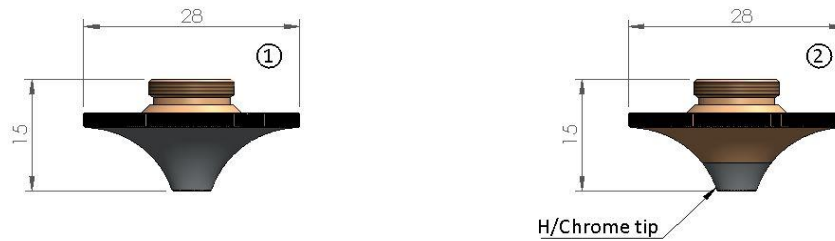
POS	LS. CODE	ORIGINAL CODE	DESCRIPTION	unit price	10 pack price
1	121001	NP08, MX-0988	HANKWANG <sup>®</sup> NOZZLE N Ø 0.8		
	121002	NP10, MX-0989	HANKWANG <sup>®</sup> NOZZLE N Ø 1.0		
	121003	NP12, MX-0990	HANKWANG <sup>®</sup> NOZZLE N Ø 1.2		
	121004	NP15, MX-0991	HANKWANG <sup>®</sup> NOZZLE N Ø 1.5		
	121005	NP18, MX-0993	HANKWANG <sup>®</sup> NOZZLE N Ø 1.8		
	121006	NP20, MX-0992	HANKWANG <sup>®</sup> NOZZLE N Ø 2.0		
	121007	NP25, MX-0994	HANKWANG <sup>®</sup> NOZZLE N Ø 2.5		
	121008	NP30, MX-0995	HANKWANG <sup>®</sup> NOZZLE N Ø 3.0		
2	121012	TP10	HANKWANG <sup>®</sup> DOUBLE NOZZLE N Ø 1.0		
	121013	TP15, HCH-TP1515	HANKWANG <sup>®</sup> DOUBLE NOZZLE N Ø 1.5		
	121014	TP20, HCH-TP1520	HANKWANG <sup>®</sup> DOUBLE NOZZLE N Ø 2.0		
	121015	TP25, HCH-TP1525	HANKWANG <sup>®</sup> DOUBLE NOZZLE N Ø 2.5		
	121016	TP30, HCH-TP2030	HANKWANG <sup>®</sup> DOUBLE NOZZLE N Ø 3.0		
	121017		HANKWANG <sup>®</sup> DOUBLE NOZZLE N Ø 4.0		
3	129001	HCH-S01201	HANKWANG <sup>®</sup> CERAMIC NOZZLE HOLDER		



---



---

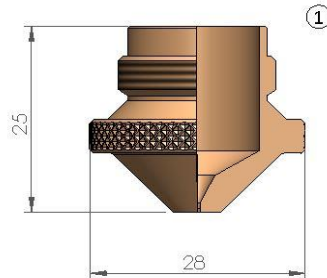
**Replacement parts suitable for HAN'S LASER<sup>®</sup>**


POS	LS. CODE	ORIGINAL CODE	DESCRIPTION	unit price	10 pack price
1	111012C		HAN'S <sup>®</sup> DOUBLE NOZZLE Ø 1.2 CP		
	111012CW		HAN'S <sup>®</sup> DOUBLE NOZZLE Ø 1.2 CP		
	111013C		HAN'S <sup>®</sup> DOUBLE NOZZLE Ø 1.4 CP		
	111013CW		HAN'S <sup>®</sup> DOUBLE NOZZLE Ø 1.4 CP		
	111014C		HAN'S <sup>®</sup> DOUBLE NOZZLE Ø 1.6 CP		
	111014CW		HAN'S <sup>®</sup> DOUBLE NOZZLE Ø 1.6 CP		
	111015C		HAN'S <sup>®</sup> DOUBLE NOZZLE Ø 1.8 CP		
	111015CW		HAN'S <sup>®</sup> DOUBLE NOZZLE Ø 1.8 CP		
	111016C		HAN'S <sup>®</sup> DOUBLE NOZZLE Ø 2.0 CP		
	111016CW		HAN'S <sup>®</sup> DOUBLE NOZZLE Ø 2.0 CP		
2	111012CK		HAN'S <sup>®</sup> DOUBLE NOZZLE Ø 1.2 CP		
	111012CKW		HAN'S <sup>®</sup> DOUBLE NOZZLE Ø 1.2 CP		
	111013CK		HAN'S <sup>®</sup> DOUBLE NOZZLE Ø 1.4 CP		
	111013CKW		HAN'S <sup>®</sup> DOUBLE NOZZLE Ø 1.4 CP		
	111014CK		HAN'S <sup>®</sup> DOUBLE NOZZLE Ø 1.6 CP		
	111014CKW		HAN'S <sup>®</sup> DOUBLE NOZZLE Ø 1.6 CP		
	111015CK		HAN'S <sup>®</sup> DOUBLE NOZZLE Ø 1.8 CP		
	111015CKW		HAN'S <sup>®</sup> DOUBLE NOZZLE Ø 1.8 CP		
	111016CK		HAN'S <sup>®</sup> DOUBLE NOZZLE Ø 2.0 CP		
	111016CKW		HAN'S <sup>®</sup> DOUBLE NOZZLE Ø 2.0 CP		

## Replacement parts suitable for LVD<sup>®</sup>



POS	LS. CODE	ORIGINAL CODE	DESCRIPTION	unit price	5 pack price
1	059020	281146-P0380-211-00001-29100033	PRECITEC <sup>®</sup> ORIG. NOZ. HOLDER IT M1.5" DZ - ALUMINUM		
	059021	281146-P0380-211-00001-29100033	PRECITEC <sup>®</sup> NOZ. HOLDER IT M1.5" DZ - ALUMINUM		
2	059015	P0497-68871	PRECITEC <sup>®</sup> ORIG. NOZ. HOLDER KT M1.5"D <sub>XN</sub> - CERAMIC		



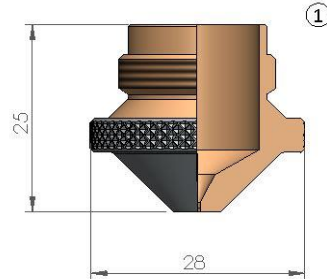
POS	LS. CODE	ORIGINAL CODE	DESCRIPTION	unit price	5 pack price
1	371022	D5241993	LVD <sup>®</sup> NOZZLE Ø 0.8 - CYLINDRICAL		
	371022V	D5241993	LVD <sup>®</sup> NOZZLE Ø 0.8 - CYLINDRICAL		
	371023	D7945470	LVD <sup>®</sup> NOZZLE Ø 1.0 - CYLINDRICAL		
	371023V	D7945470	LVD <sup>®</sup> NOZZLE Ø 1.0 - CYLINDRICAL		
	371024	D5241982	LVD <sup>®</sup> NOZZLE Ø 1.2 - CYLINDRICAL		
	371024V	D5241982	LVD <sup>®</sup> NOZZLE Ø 1.2 - CYLINDRICAL		
	371025	D7945434	LVD <sup>®</sup> NOZZLE Ø 1.5 - CYLINDRICAL		
	371025V	D7945434	LVD <sup>®</sup> NOZZLE Ø 1.5 - CYLINDRICAL		
	371026	D7945452	LVD <sup>®</sup> NOZZLE Ø 2.0 - CYLINDRICAL		
	371026V	D7945452	LVD <sup>®</sup> NOZZLE Ø 2.0 - CYLINDRICAL		
	371027	D7945517	LVD <sup>®</sup> NOZZLE Ø 2.5 - CYLINDRICAL		
	371027V	D7945517	LVD <sup>®</sup> NOZZLE Ø 2.5 - CYLINDRICAL		
	371028		LVD <sup>®</sup> NOZZLE Ø 3.0 - CYLINDRICAL		
	371028V		LVD <sup>®</sup> NOZZLE Ø 3.0 - CYLINDRICAL		

---



---

## Replacement parts suitable for LVD<sup>®</sup>



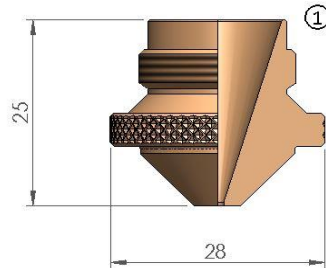
POS	LS. CODE	ORIGINAL CODE	DESCRIPTION	unit price	5 pack price
1	371022C	D5241993	LVD <sup>®</sup> NOZZLE Ø 0.8 - CYLINDRICAL CP		
	371022CV	D5241993	LVD <sup>®</sup> NOZZLE Ø 0.8 - CYLINDRICAL CP		
	371023C	D7945470	LVD <sup>®</sup> NOZZLE Ø 1.0 - CYLINDRICAL CP		
	371023CV	D7945470	LVD <sup>®</sup> NOZZLE Ø 1.0 - CYLINDRICAL CP		
	371024C	D5241982	LVD <sup>®</sup> NOZZLE Ø 1.2 - CYLINDRICAL CP		
	371024CV	D5241982	LVD <sup>®</sup> NOZZLE Ø 1.2 - CYLINDRICAL CP		
	371025C	D7945434	LVD <sup>®</sup> NOZZLE Ø 1.5 - CYLINDRICAL CP		
	371025CV	D7945434	LVD <sup>®</sup> NOZZLE Ø 1.5 - CYLINDRICAL CP		
	371026C	D7945452	LVD <sup>®</sup> NOZZLE Ø 2.0 - CYLINDRICAL CP		
	371026CV	D7945452	LVD <sup>®</sup> NOZZLE Ø 2.0 - CYLINDRICAL CP		
	371027C	D7945517	LVD <sup>®</sup> NOZZLE Ø 2.5 - CYLINDRICAL CP		
	371027CV	D7945517	LVD <sup>®</sup> NOZZLE Ø 2.5 - CYLINDRICAL CP		
	371028C		LVD <sup>®</sup> NOZZLE Ø 3.0 - CYLINDRICAL CP		
	371028CV		LVD <sup>®</sup> NOZZLE Ø 3.0 - CYLINDRICAL CP		

---



---

## Replacement parts suitable for LVD<sup>®</sup>



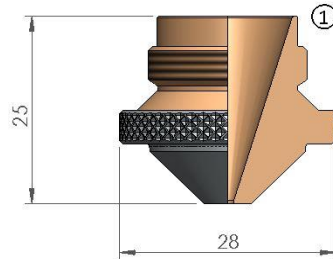
POS	LS. CODE	ORIGINAL CODE	DESCRIPTION	unit price	5 pack price
1	371002	D5241863	LVD <sup>®</sup> NOZZLE Ø 1.0 HD - CONICAL		
	371002V	D5241863	LVD <sup>®</sup> NOZZLE Ø 1.0 HD - CONICAL		
	371003		LVD <sup>®</sup> NOZZLE Ø 1.2 HD - CONICAL		
	371003V		LVD <sup>®</sup> NOZZLE Ø 1.2 HD - CONICAL		
	371004	D5241862	LVD <sup>®</sup> NOZZLE Ø 1.5 HD - CONICAL		
	371004V	D5241862	LVD <sup>®</sup> NOZZLE Ø 1.5 HD - CONICAL		
	371005	D5242512	LVD <sup>®</sup> NOZZLE Ø 1.7 HD - CONICAL		
	371005V	D5242512	LVD <sup>®</sup> NOZZLE Ø 1.7 HD - CONICAL		
	371006	D5241855	LVD <sup>®</sup> NOZZLE Ø 2.0 HD - CONICAL		
	371006V	D5241855	LVD <sup>®</sup> NOZZLE Ø 2.0 HD - CONICAL		
	371007	D5242513-Z000000539D	LVD <sup>®</sup> NOZZLE Ø 2.3 HD - CONICAL		
	371007V	D5242513-Z000000539D	LVD <sup>®</sup> NOZZLE Ø 2.3 HD - CONICAL		
	371008	D5241856-Z000000563B	LVD <sup>®</sup> NOZZLE Ø 2.5 HD - CONICAL		
	371008V	D5241856-Z000000563B	LVD <sup>®</sup> NOZZLE Ø 2.5 HD - CONICAL		
	371009	D5241857-Z000000540	LVD <sup>®</sup> NOZZLE Ø 3.0 HD - CONICAL		
	371009V	D5241857-Z000000540B	LVD <sup>®</sup> NOZZLE Ø 3.0 HD - CONICAL		
	371010	D5241877-Z000000564B	LVD <sup>®</sup> NOZZLE Ø 3.5 HD - CONICAL		
	371010V	D5241877-Z000000564B	LVD <sup>®</sup> NOZZLE Ø 3.5 HD - CONICAL		
	371011	D5241878-Z000000565B	LVD <sup>®</sup> NOZZLE Ø 4.0 HD - CONICAL		
	371011V	D5241878-Z000000565B	LVD <sup>®</sup> NOZZLE Ø 4.0 HD - CONICAL		
	371012	D5242531-Z000000566B	LVD <sup>®</sup> NOZZLE Ø 4.5 HD - CONICAL		
	371012V	D5242531-Z000000566B	LVD <sup>®</sup> NOZZLE Ø 4.5 HD - CONICAL		
	371013	D5242535-Z000000567B	LVD <sup>®</sup> NOZZLE Ø 5.0 HD - CONICAL		
	371013V	D5242535-Z000000567B	LVD <sup>®</sup> NOZZLE Ø 5.0 HD - CONICAL		
371014	D5242536-Z000000568B	LVD <sup>®</sup> NOZZLE Ø 6.0 HD - CONICAL			
371014V	D5242536-Z000000568B	LVD <sup>®</sup> NOZZLE Ø 6.0 HD - CONICAL			

---



---

## Replacement parts suitable for LVD<sup>®</sup>



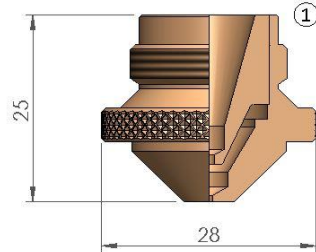
POS	LS. CODE	ORIGINAL CODE	DESCRIPTION	unit price	5 pack price
1	371002C	D5241863	LVD <sup>®</sup> NOZZLE Ø 1.0 HD - CONICAL CP		
	371002CV	D5241863	LVD <sup>®</sup> NOZZLE Ø 1.0 HD - CONICAL CP		
	371003C		LVD <sup>®</sup> NOZZLE Ø 1.2HD - CONICAL CP		
	371003CV		LVD <sup>®</sup> NOZZLE Ø 1.2HD - CONICAL CP		
	371004C	D5241862	LVD <sup>®</sup> NOZZLE Ø 1.5 HD - CONICAL CP		
	371004CV	D5241862	LVD <sup>®</sup> NOZZLE Ø 1.5 HD - CONICAL CP		
	371005C	D5242512	LVD <sup>®</sup> NOZZLE Ø 1.7 HD - CONICAL CP		
	371005CV	D5242512	LVD <sup>®</sup> NOZZLE Ø 1.7 HD - CONICAL CP		
	371006C	D5241855	LVD <sup>®</sup> NOZZLE Ø 2.0 HD - CONICAL CP		
	371006CV	D5241855	LVD <sup>®</sup> NOZZLE Ø 2.0 HD - CONICAL CP		
	371007C	D5242513-Z000000539D	LVD <sup>®</sup> NOZZLE Ø 2.3 HD - CONICAL CP		
	371007CV	D5242513-Z000000539D	LVD <sup>®</sup> NOZZLE Ø 2.3 HD - CONICAL CP		
	371008C	D5241856-Z000000563B	LVD <sup>®</sup> NOZZLE Ø 2.5 HD - CONICAL CP		
	371008CV	D5241856-Z000000563B	LVD <sup>®</sup> NOZZLE Ø 2.5 HD - CONICAL CP		
	371009C	D5241857-Z000000540	LVD <sup>®</sup> NOZZLE Ø 3.0 HD - CONICAL CP		
	371009CV	D5241857-Z000000540B	LVD <sup>®</sup> NOZZLE Ø 3.0 HD - CONICAL CP		
	371010C	D5241877-Z000000564B	LVD <sup>®</sup> NOZZLE Ø 3.5 HD - CONICAL CP		
	371010CV	D5241877-Z000000564B	LVD <sup>®</sup> NOZZLE Ø 3.5 HD - CONICAL CP		
	371011C	D5241878-Z000000565B	LVD <sup>®</sup> NOZZLE Ø 4.0 HD - CONICAL CP		
	371011CV	D5241878-Z000000565B	LVD <sup>®</sup> NOZZLE Ø 4.0 HD - CONICAL CP		
	371012C	D5242531-Z000000566B	LVD <sup>®</sup> NOZZLE Ø 4.5 HD - CONICAL CP		
	371012CV	D5242531-Z000000566B	LVD <sup>®</sup> NOZZLE Ø 4.5 HD - CONICAL CP		
	371013C	D5242535-Z000000567B	LVD <sup>®</sup> NOZZLE Ø 5.0 HD - CONICAL CP		
	371013CV	D5242535-Z000000567B	LVD <sup>®</sup> NOZZLE Ø 5.0 HD - CONICAL CP		
	371014C	D5242536-Z000000568B	LVD <sup>®</sup> NOZZLE Ø 6.0 HD - CONICAL CP		
	371014CV	D5242536-Z000000568B	LVD <sup>®</sup> NOZZLE Ø 6.0 HD - CONICAL CP		

---



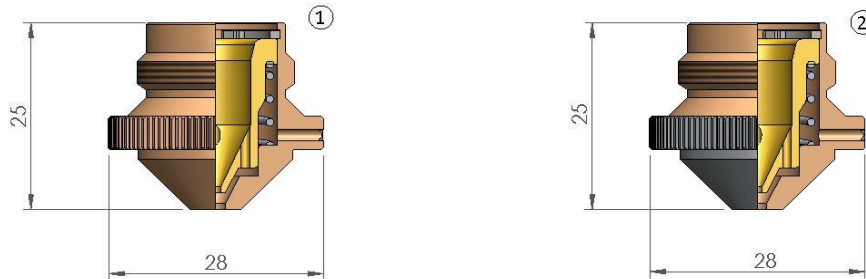
---

## Replacement parts suitable for LVD<sup>®</sup>

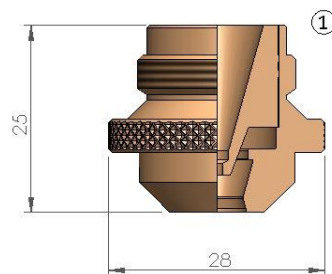


POS	LS. CODE	ORIGINAL CODE	DESCRIPTION	unit price	5 pack price
1	371035		LVD <sup>®</sup> DOUBLE NOZZLE Ø 1.2		
	371035V		LVD <sup>®</sup> DOUBLE NOZZLE Ø 1.2		
	371036	29100304	LVD <sup>®</sup> DOUBLE NOZZLE Ø 1.5		
	371036V	29100304	LVD <sup>®</sup> DOUBLE NOZZLE Ø 1.5		
	371037	29100307	LVD <sup>®</sup> DOUBLE NOZZLE Ø 2.0		
	371037V	29100307	LVD <sup>®</sup> DOUBLE NOZZLE Ø 2.0		
	371038	29100305	LVD <sup>®</sup> DOUBLE NOZZLE Ø 2.5		
	371038V	29100305	LVD <sup>®</sup> DOUBLE NOZZLE Ø 2.5		
	371039	29100306	LVD <sup>®</sup> DOUBLE NOZZLE Ø 3.0		
	371039V	29100306	LVD <sup>®</sup> DOUBLE NOZZLE Ø 3.0		
	371040		LVD <sup>®</sup> DOUBLE NOZZLE Ø 3.5		
	371040V		LVD <sup>®</sup> DOUBLE NOZZLE Ø 3.5		
	371041		LVD <sup>®</sup> DOUBLE NOZZLE Ø 4.0		
	371041V		LVD <sup>®</sup> DOUBLE NOZZLE Ø 4.0		

## Replacement parts suitable for LVD<sup>®</sup>



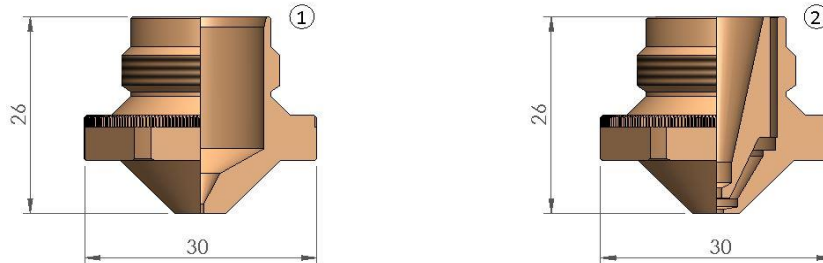
POS	LS. CODE	ORIGINAL CODE	DESCRIPTION	unit price	5 pack price
1	371055	G8040180	LVD <sup>®</sup> DOUBLE NOZZLE W/SPRING Ø 2.5 INNER Ø 1.3		
	371056	G8040181	LVD <sup>®</sup> DOUBLE NOZZLE W/SPRING Ø 2.5 INNER Ø 1.5		
	371057	G8040182	LVD <sup>®</sup> DOUBLE NOZZLE W/SPRING Ø 3.0 INNER Ø 2.0		
	371058	G8040183	LVD <sup>®</sup> DOUBLE NOZZLE W/SPRING Ø 3.0 INNER Ø 1.3		
	371059	G8040184	LVD <sup>®</sup> DOUBLE NOZZLE W/SPRING Ø 3.0 INNER Ø 1.5		
2	371055C	G8040180	LVD <sup>®</sup> DOUBLE NOZZLE W/SPRING Ø 2.5 INNER Ø 1.3 CP		
	371056C	G8040181	LVD <sup>®</sup> DOUBLE NOZZLE W/SPRING Ø 2.5 INNER Ø 1.5 CP		
	371057C	G8040182	LVD <sup>®</sup> DOUBLE NOZZLE W/SPRING Ø 3.0 INNER Ø 2.0 CP		
	371058C	G8040183	LVD <sup>®</sup> DOUBLE NOZZLE W/SPRING Ø 3.0 INNER Ø 1.3 CP		
	371059C	G8040184	LVD <sup>®</sup> DOUBLE NOZZLE W/SPRING Ø 3.0 INNER Ø 1.5 CP		



POS	LS. CODE	ORIGINAL CODE	DESCRIPTION	unit price	5 pack price
1	371050		LVD <sup>®</sup> DOUBLE NOZZLE Ø 7,5 EAQ		



## Replacement parts suitable for LVD<sup>®</sup>



POS	LS. CODE	ORIGINAL CODE	DESCRIPTION	unit price	5 pack price
1	372003		LVD <sup>®</sup> NOZZLE Ø 0.8 - CYLINDRICAL FIBER nozzle changer		
	372003V		LVD <sup>®</sup> NOZZLE Ø 0.8 - CYLINDRICAL FIBER nozzle changer		
	372004		LVD <sup>®</sup> NOZZLE Ø 1.0 - CYLINDRICAL FIBER nozzle changer		
	372004V		LVD <sup>®</sup> NOZZLE Ø 1.0 - CYLINDRICAL FIBER nozzle changer		
	372005	M000074272	LVD <sup>®</sup> NOZZLE Ø 1.2 - CYLINDRICAL FIBER nozzle changer		
	372005V	M000074272	LVD <sup>®</sup> NOZZLE Ø 1.2 - CYLINDRICAL FIBER nozzle changer		
	372006		LVD <sup>®</sup> NOZZLE Ø 1.5 - CYLINDRICAL FIBER nozzle changer		
	372006V		LVD <sup>®</sup> NOZZLE Ø 1.5 - CYLINDRICAL FIBER nozzle changer		
	372007		LVD <sup>®</sup> NOZZLE Ø 2,0 - CYLINDRICAL FIBER nozzle changer		
	372007V		LVD <sup>®</sup> NOZZLE Ø 2.0 - CYLINDRICAL FIBER nozzle changer		
	372008		LVD <sup>®</sup> NOZZLE Ø 2.5 - CYLINDRICAL FIBER nozzle changer		
	372008V		LVD <sup>®</sup> NOZZLE Ø 2.5 - CYLINDRICAL FIBER nozzle changer		
	372009		LVD <sup>®</sup> NOZZLE Ø 3.0 - CYLINDRICAL FIBER nozzle changer		
	372009V		LVD <sup>®</sup> NOZZLE Ø 3.0 - CYLINDRICAL FIBER nozzle changer		
2	372020		LVD <sup>®</sup> DOUBLE NOZZLE Ø 1.2 FIBER nozzle changer		
	372020V		LVD <sup>®</sup> DOUBLE NOZZLE Ø 1.2 FIBER nozzle changer		
	372021	(A000040929)	LVD <sup>®</sup> DOUBLE NOZZLE Ø 1.5 FIBER nozzle changer		
	372021V	(A000040929)	LVD <sup>®</sup> DOUBLE NOZZLE Ø 1.5 FIBER nozzle changer		
	372022	A000042360 - (A000040931)	LVD <sup>®</sup> DOUBLE NOZZLE Ø 2.0 FIBER nozzle changer		
	372022V	A000042360 - (A000040931)	LVD <sup>®</sup> DOUBLE NOZZLE Ø 2.0 FIBER nozzle changer		
	372023	A000042361 - (A000040933)	LVD <sup>®</sup> DOUBLE NOZZLE Ø 2.5 FIBER nozzle changer		
	372023V	A000042361 - (A000040933)	LVD <sup>®</sup> DOUBLE NOZZLE Ø 2.5 FIBER nozzle changer		
	372024		LVD <sup>®</sup> DOUBLE NOZZLE Ø 3.0 FIBER nozzle changer		
	372024V		LVD <sup>®</sup> DOUBLE NOZZLE Ø 3.0 FIBER nozzle changer		
	372025		LVD <sup>®</sup> DOUBLE NOZZLE Ø 3.5 FIBER nozzle changer		
	372025V		LVD <sup>®</sup> DOUBLE NOZZLE Ø 3.5 FIBER nozzle changer		
	372026		LVD <sup>®</sup> DOUBLE NOZZLE Ø 4.0 FIBER nozzle changer		
	372026V		LVD <sup>®</sup> DOUBLE NOZZLE Ø 4.0 FIBER nozzle changer		
372027		LVD <sup>®</sup> DOUBLE NOZZLE Ø 5.0 FIBER nozzle changer			
372027V		LVD <sup>®</sup> DOUBLE NOZZLE Ø 5.0 FIBER nozzle changer			

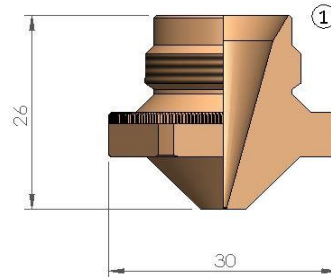


---



---

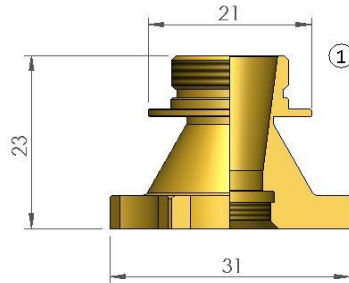
## Replacement parts suitable for LVD<sup>®</sup>



POS	LS. CODE	ORIGINAL CODE	DESCRIPTION	unit price	5 pack price
1	372031		LVD <sup>®</sup> NOZZLE Ø 1.0 - CONIC FIBER nozzle changer		
	372031V		LVD <sup>®</sup> NOZZLE Ø 1.0 - CONIC FIBER nozzle changer		
	372032		LVD <sup>®</sup> NOZZLE Ø 1.2 - CONIC FIBER nozzle changer		
	372032V		LVD <sup>®</sup> NOZZLE Ø 1.2 - CONIC FIBER nozzle changer		
	372033		LVD <sup>®</sup> NOZZLE Ø 1.5 - CONIC FIBER nozzle changer		
	372033V		LVD <sup>®</sup> NOZZLE Ø 1.5 - CONIC FIBER nozzle changer		
	372034		LVD <sup>®</sup> NOZZLE Ø 1.7 - CONIC FIBER nozzle changer		
	372034V		LVD <sup>®</sup> NOZZLE Ø 1.7 - CONIC FIBER nozzle changer		
	372035		LVD <sup>®</sup> NOZZLE Ø 2.0 - CONIC FIBER nozzle changer		
	372035V		LVD <sup>®</sup> NOZZLE Ø 2.0 - CONIC FIBER nozzle changer		
	372036		LVD <sup>®</sup> NOZZLE Ø 2.3 - CONIC FIBER nozzle changer		
	372036V		LVD <sup>®</sup> NOZZLE Ø 2.3 - CONIC FIBER nozzle changer		
	372037		LVD <sup>®</sup> NOZZLE Ø 2.5 - CONIC FIBER nozzle changer		
	372037V		LVD <sup>®</sup> NOZZLE Ø 2.5 - CONIC FIBER nozzle changer		
	372038		LVD <sup>®</sup> NOZZLE Ø 2.7 - CONIC FIBER nozzle changer		
	372038V		LVD <sup>®</sup> NOZZLE Ø 2.7 - CONIC FIBER nozzle changer		
	372039		LVD <sup>®</sup> NOZZLE Ø 3,0 - CONIC FIBER nozzle changer		
	372039V		LVD <sup>®</sup> NOZZLE Ø 3,0 - CONIC FIBER nozzle changer		
	372040		LVD <sup>®</sup> NOZZLE Ø 3,5 - CONIC FIBER nozzle changer		
	372040V		LVD <sup>®</sup> NOZZLE Ø 3,5 - CONIC FIBER nozzle changer		
372041		LVD <sup>®</sup> NOZZLE Ø 4,0 - CONIC FIBER nozzle changer			
372041V		LVD <sup>®</sup> NOZZLE Ø 4,0 - CONIC FIBER nozzle changer			

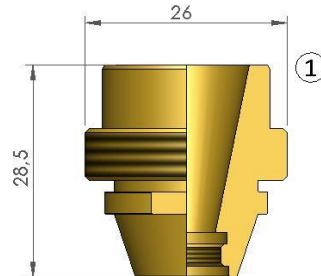
---

## Replacement parts suitable for LVD<sup>®</sup>

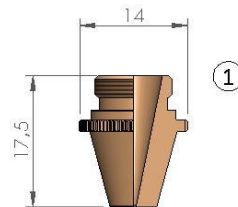


POS	LS. CODE	ORIGINAL CODE	DESCRIPTION	unit price	5 pack price
1	379005	M000079093	LVD <sup>®</sup> ADAPTER AUTO CHANGE		

## Replacement parts suitable for MAZAK<sup>®</sup>



POS	LS. CODE	ORIGINAL CODE	DESCRIPTION	unit price	10 pack price
1	209029	46603350510	MAZAK <sup>®</sup> NOZZLE ADAPTER BODY		

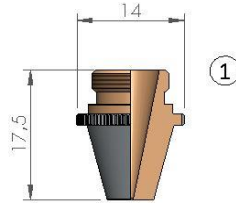


POS	LS. CODE	ORIGINAL CODE	DESCRIPTION	unit price	10 pack price
1	202001W	46603350508	MAZAK <sup>®</sup> NOZZLE Ø 0.8		
	202002W	46603350511	MAZAK <sup>®</sup> NOZZLE Ø 1.0		
	202003W	46603350512	MAZAK <sup>®</sup> NOZZLE Ø 1.2		
	202004W	4660335052B	MAZAK <sup>®</sup> NOZZLE Ø 1.5		
	202005W	46603350517	MAZAK <sup>®</sup> NOZZLE Ø 1.7		
	202006W	46603350517-1.8	MAZAK <sup>®</sup> NOZZLE Ø 1.8		
	202007W	4660335052C	MAZAK <sup>®</sup> NOZZLE Ø 2.0		
	202008W	46603350522-2.2	MAZAK <sup>®</sup> NOZZLE Ø 2.2		
	202009W	46603350525	MAZAK <sup>®</sup> NOZZLE Ø 2.5		
	202010W	46603350530	MAZAK <sup>®</sup> NOZZLE Ø 3,0		
	202011W	46603350530-3,5 Q660335052F	MAZAK <sup>®</sup> NOZZLE Ø 3.5		
	202012W	46603350530-4.0	MAZAK <sup>®</sup> NOZZLE Ø 4.0		
	202013W	46603350530-4.5	MAZAK <sup>®</sup> NOZZLE Ø 4.5		
	202014W	46603350530-5.0	MAZAK <sup>®</sup> NOZZLE Ø 5.0		

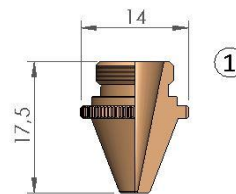
---



---

 Replacement parts suitable for MAZAK<sup>®</sup>


POS	LS. CODE	ORIGINAL CODE	DESCRIPTION	unit price	10 pack price
1	202001CW	46603350508	MAZAK <sup>®</sup> NOZZLE Ø 0.8 CP		
	202002CW	46603350511	MAZAK <sup>®</sup> NOZZLE Ø 1.0 CP		
	202003CW	46603350512	MAZAK <sup>®</sup> NOZZLE Ø 1.2 CP		
	202004CW	4660335052B	MAZAK <sup>®</sup> NOZZLE Ø 1.5 CP		
	202005CW	46603350517	MAZAK <sup>®</sup> NOZZLE Ø 1.7 CP		
	202006CW	46603350517-1.8	MAZAK <sup>®</sup> NOZZLE Ø 1.8 CP		
	202007CW	4660335052C	MAZAK <sup>®</sup> NOZZLE Ø 2.0 CP		
	202008CW	46603350522-2.2	MAZAK <sup>®</sup> NOZZLE Ø 2.2 CP		
	202009CW	46603350525	MAZAK <sup>®</sup> NOZZLE Ø 2.5 CP		
	202010CW	46603350530	MAZAK <sup>®</sup> NOZZLE Ø 3,0 CP		
	202011CW	46603350530-3,5 Q660335052F	MAZAK <sup>®</sup> NOZZLE Ø 3.5 CP		
	202012CW	46603350530-4.0	MAZAK <sup>®</sup> NOZZLE Ø 4.0 CP		
	202013CW	46603350530-4.5	MAZAK <sup>®</sup> NOZZLE Ø 4.5 CP		
	202014CW	46603350530-5.0	MAZAK <sup>®</sup> NOZZLE Ø 5.0 CP		

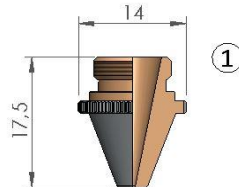


POS	LS. CODE	ORIGINAL CODE	DESCRIPTION	unit price	10 pack price
1	202021W	46603350521-0,8	MAZAK <sup>®</sup> NOZZLE Ø 0.8		
	202022W	46603350521-1,0	MAZAK <sup>®</sup> NOZZLE Ø 1.0		
	202023W	46603350521-1,2	MAZAK <sup>®</sup> NOZZLE Ø 1.2		
	202024W	46603350520-1,5	MAZAK <sup>®</sup> NOZZLE Ø 1.5		
	202025W	46603350521-1,7	MAZAK <sup>®</sup> NOZZLE Ø 1.7		
	202026W	46603350522-2,0	MAZAK <sup>®</sup> NOZZLE Ø 2.0		
	202027W	46603350522-2,5	MAZAK <sup>®</sup> NOZZLE Ø 2.5		
	202028W	46683301281-2,5	MAZAK <sup>®</sup> NOZZLE Ø 3.0		

---



---

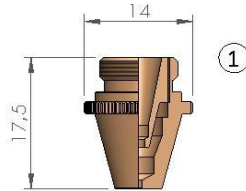
 Replacement parts suitable for MAZAK<sup>®</sup>


POS	LS. CODE	ORIGINAL CODE	DESCRIPTION	unit price	10 pack price
1	202021CW	46603350521-0,8	MAZAK <sup>®</sup> NOZZLE Ø 0.8 CP		
	202022CW	46603350521-1,0	MAZAK <sup>®</sup> NOZZLE Ø 0.8 CP		
	202023CW	46603350521-1,2	MAZAK <sup>®</sup> NOZZLE Ø 1.2 CP		
	202024CW	46603350520-1,5	MAZAK <sup>®</sup> NOZZLE Ø 1.5 CP		
	202025CW	46603350521-1,7	MAZAK <sup>®</sup> NOZZLE Ø 1.7 CP		
	202026CW	46603350522-2,0	MAZAK <sup>®</sup> NOZZLE Ø 2.0 CP		
	202027CW	46603350522-2,5	MAZAK <sup>®</sup> NOZZLE Ø 2.5 CP		
	202028CW	46683301281-2,5	MAZAK <sup>®</sup> NOZZLE Ø 3.0 CP		

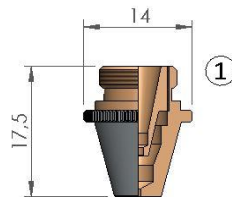
---



---

 Replacement parts suitable for MAZAK<sup>®</sup>


POS	LS. CODE	ORIGINAL CODE	DESCRIPTION	unit price	10 pack price
1	202065W		MAZAK <sup>®</sup> DOUBLE NOZZLE Ø 1.0		
	202066W		MAZAK <sup>®</sup> DOUBLE NOZZLE Ø 1.2		
	202067W		MAZAK <sup>®</sup> DOUBLE NOZZLE Ø 1.5		
	202068W		MAZAK <sup>®</sup> DOUBLE NOZZLE Ø 1.7		
	202069W		MAZAK <sup>®</sup> DOUBLE NOZZLE Ø 1.8		
	202070W		MAZAK <sup>®</sup> DOUBLE NOZZLE Ø 2.0		
	202071W		MAZAK <sup>®</sup> DOUBLE NOZZLE Ø 2.0		
	202072W		MAZAK <sup>®</sup> DOUBLE NOZZLE Ø 2.5		
	202073W		MAZAK <sup>®</sup> DOUBLE NOZZLE Ø 3.0		



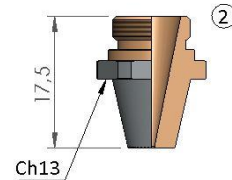
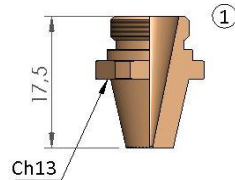
POS	LS. CODE	ORIGINAL CODE	DESCRIPTION	unit price	10 pack price
1	202065CW		MAZAK <sup>®</sup> DOUBLE NOZZLE Ø 1.0 CP		
	202066CW		MAZAK <sup>®</sup> DOUBLE NOZZLE Ø 1.2 CP		
	202067CW		MAZAK <sup>®</sup> DOUBLE NOZZLE Ø 1.5 CP		
	202068CW		MAZAK <sup>®</sup> DOUBLE NOZZLE Ø 1.7 CP		
	202069CW		MAZAK <sup>®</sup> DOUBLE NOZZLE Ø 1.8 CP		
	202070CW		MAZAK <sup>®</sup> DOUBLE NOZZLE Ø 2.0 CP		
	202071CW		MAZAK <sup>®</sup> DOUBLE NOZZLE Ø 2.2 CP		
	202072CW		MAZAK <sup>®</sup> DOUBLE NOZZLE Ø 2.5 CP		
	202073CW		MAZAK <sup>®</sup> DOUBLE NOZZLE Ø 3.0 CP		

---



---

## Replacement parts suitable for MAZAK<sup>®</sup>



POS	LS. CODE	ORIGINAL CODE	DESCRIPTION	unit price	10 pack price
1	202030W		MAZAK <sup>®</sup> HEXAGONAL NOZZLE Ø 0.8		
	202031W		MAZAK <sup>®</sup> HEXAGONAL NOZZLE Ø 1.0		
	202032W		MAZAK <sup>®</sup> HEXAGONAL NOZZLE Ø 1.2		
	202033W		MAZAK <sup>®</sup> HEXAGONAL NOZZLE Ø 1.5		
	202034W		MAZAK <sup>®</sup> HEXAGONAL NOZZLE Ø 1.7		
	202035W		MAZAK <sup>®</sup> HEXAGONAL NOZZLE Ø 1.8		
	202036W		MAZAK <sup>®</sup> HEXAGONAL NOZZLE Ø 2.0		
	202037W		MAZAK <sup>®</sup> HEXAGONAL NOZZLE Ø 2.2		
	202038W		MAZAK <sup>®</sup> HEXAGONAL NOZZLE Ø 2.5		
	202039W		MAZAK <sup>®</sup> HEXAGONAL NOZZLE Ø 3.0		
	202040W		MAZAK <sup>®</sup> HEXAGONAL NOZZLE Ø 3.5		
	202041W		MAZAK <sup>®</sup> HEXAGONAL NOZZLE Ø 4.0		
2	202030CW		MAZAK <sup>®</sup> HEXAGONAL NOZZLE Ø 0.8 CP		
	202031CW		MAZAK <sup>®</sup> HEXAGONAL NOZZLE Ø 1.0 CP		
	202032CW		MAZAK <sup>®</sup> HEXAGONAL NOZZLE Ø 1.2 CP		
	202033CW		MAZAK <sup>®</sup> HEXAGONAL NOZZLE Ø 1.5 CP		
	202034CW		MAZAK <sup>®</sup> HEXAGONAL NOZZLE Ø 1.7 CP		
	202035CW		MAZAK <sup>®</sup> HEXAGONAL NOZZLE Ø 1.8 CP		
	202036CW		MAZAK <sup>®</sup> HEXAGONAL NOZZLE Ø 2.0 CP		
	202037CW		MAZAK <sup>®</sup> HEXAGONAL NOZZLE Ø 2.2 CP		
	202038CW		MAZAK <sup>®</sup> HEXAGONAL NOZZLE Ø 2.5 CP		
	202039CW		MAZAK <sup>®</sup> HEXAGONAL NOZZLE Ø 3.0 CP		
	202040CW		MAZAK <sup>®</sup> HEXAGONAL NOZZLE Ø 3.5 CP		
	202041CW		MAZAK <sup>®</sup> HEXAGONAL NOZZLE Ø 4.0 CP		

---



---

## Replacement parts suitable for MAZAK<sup>®</sup>



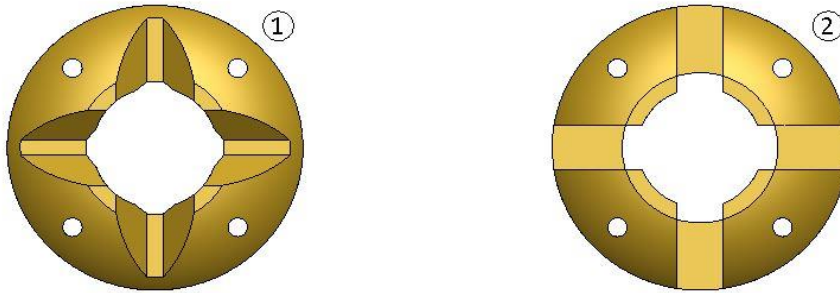
POS	LS. CODE	ORIGINAL CODE	DESCRIPTION	unit price	10 pack price
1	202052W		MAZAK <sup>®</sup> HEXAGONAL DOUBLE NOZZLE Ø 1.2		
	202053W		MAZAK <sup>®</sup> HEXAGONAL DOUBLE NOZZLE Ø 1.5		
	202054W		MAZAK <sup>®</sup> HEXAGONAL DOUBLE NOZZLE Ø 1.8		
	202055W		MAZAK <sup>®</sup> HEXAGONAL DOUBLE NOZZLE Ø 2.0		
	202056W		MAZAK <sup>®</sup> HEXAGONAL DOUBLE NOZZLE Ø 2.2		
	202057W		MAZAK <sup>®</sup> HEXAGONAL DOUBLE NOZZLE Ø 2.5		
	202058W		MAZAK <sup>®</sup> HEXAGONAL DOUBLE NOZZLE Ø 3.0		
2	202052CW		MAZAK <sup>®</sup> HEXAGONAL DOUBLE NOZZLE Ø 1.2 CP		
	202053CW		MAZAK <sup>®</sup> HEXAGONAL DOUBLE NOZZLE Ø 1.5 CP		
	202054CW		MAZAK <sup>®</sup> HEXAGONAL DOUBLE NOZZLE Ø 1.8 CP		
	202055CW		MAZAK <sup>®</sup> HEXAGONAL DOUBLE NOZZLE Ø 2.0 CP		
	202056CW		MAZAK <sup>®</sup> HEXAGONAL DOUBLE NOZZLE Ø 2.2 CP		
	202057CW		MAZAK <sup>®</sup> HEXAGONAL DOUBLE NOZZLE Ø 2.5 CP		
	202058CW		MAZAK <sup>®</sup> HEXAGONAL DOUBLE NOZZLE Ø 3.0 CP		



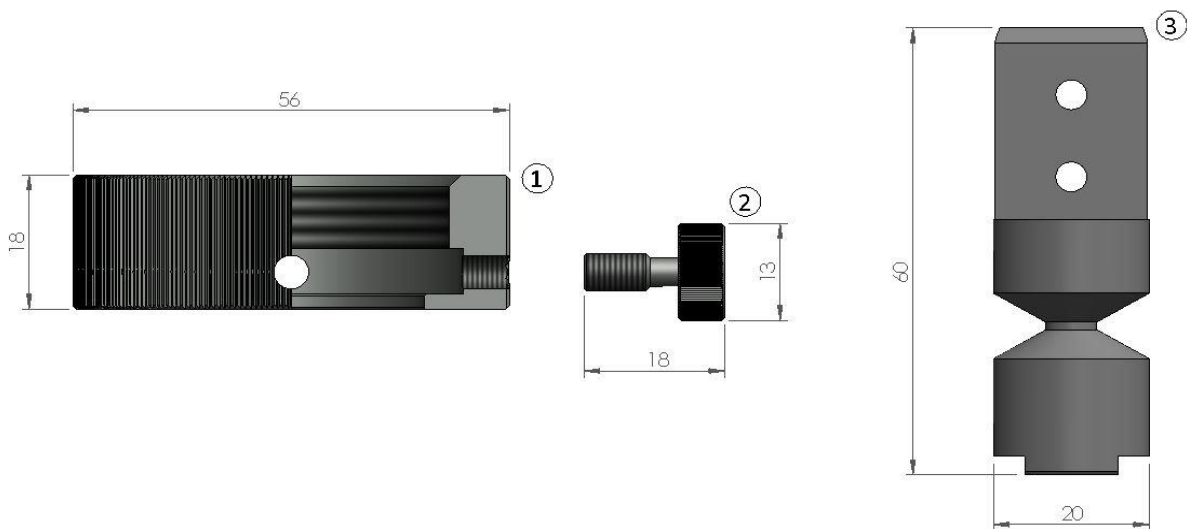
---



---

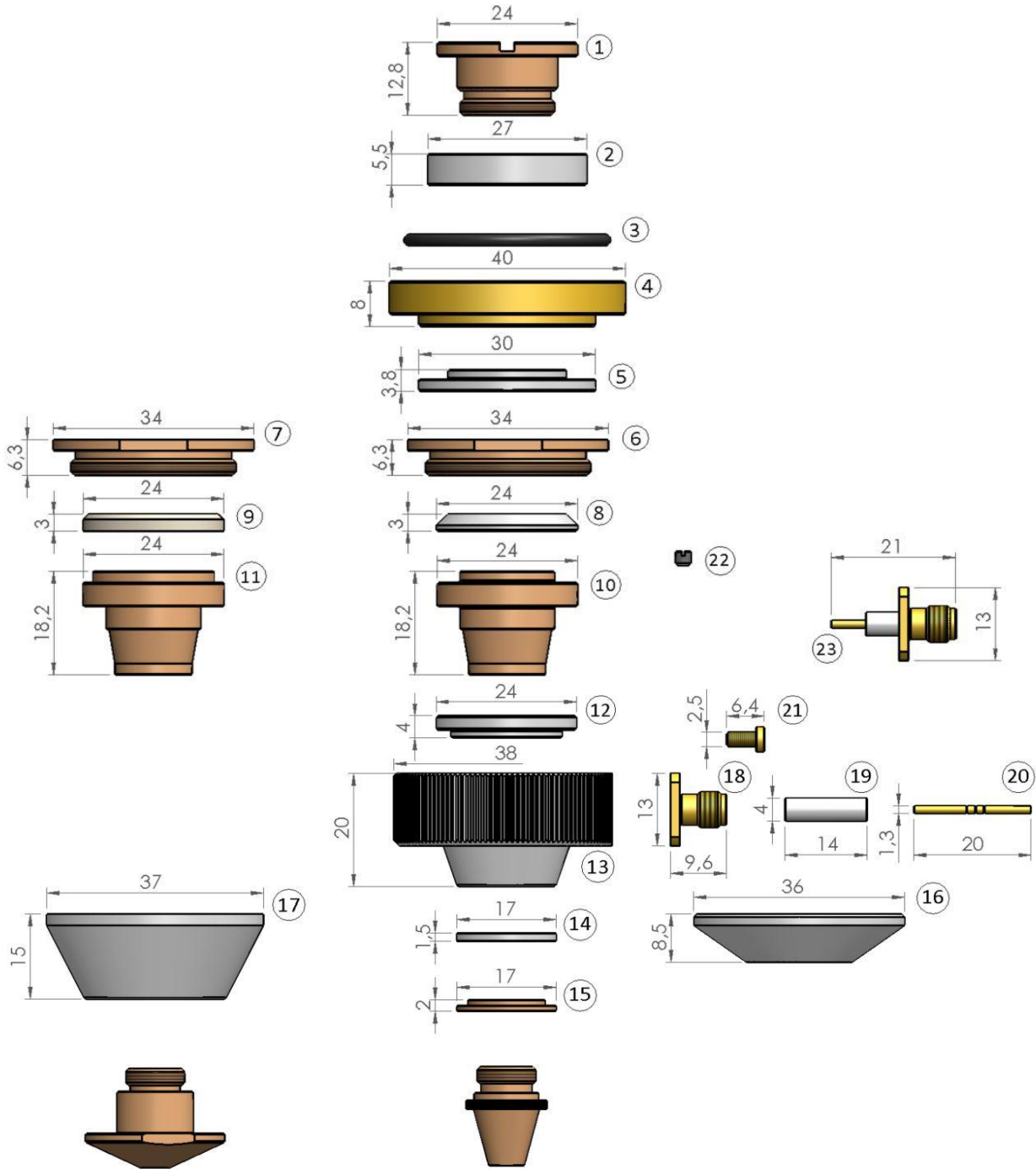
 Replacement parts suitable for MAZAK<sup>®</sup>


POS	LS. CODE	ORIGINAL CODE	DESCRIPTION	unit price	10 pack price
1	209052	46602350080	MAZAK <sup>®</sup> STYLUS FOOT H9 BRASS		
2	209053		MAZAK <sup>®</sup> STYLUS FOOT H9 BRASS		



POS	LS. CODE	ORIGINAL CODE	DESCRIPTION	unit price	10 pack price
1	209032	46683300930	MAZAK <sup>®</sup> RING		
2	209048	46683300032	MAZAK <sup>®</sup> BOLT M5 x.05		
3	209001	36682300280	MAZAK <sup>®</sup> ALUMINIUM BREAK-AWAY BAR L60 - M8		

Replacement parts suitable for MAZAK<sup>®</sup>



---

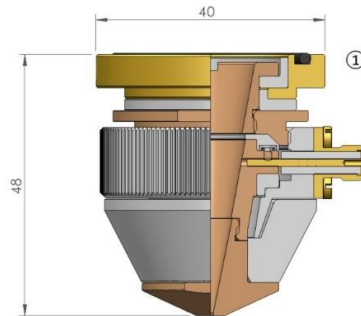


---

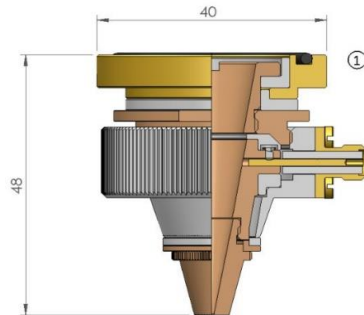
**Replacement parts suitable for MAZAK<sup>®</sup>**

POS	LS. CODE	ORIGINAL CODE	DESCRIPTION	unit price	10 pack price
1	209016	46683301110	MAZAK <sup>®</sup> NOZZLE HOLDER		
2	209022	46683301080, 46683302081	MAZAK <sup>®</sup> SPACER PTFE 27X5,5		
	209023	46683301080, 46683302081	MAZAK <sup>®</sup> SPECIAL SPACER 27X5.5 - PEEK		
	209042	46683301080, 46683302081	MAZAK <sup>®</sup> CERAMIC SPACER 27x5,5		
3	209028	J2600S03200	MAZAK <sup>®</sup> O'RING EXTERNAL BASE - RUBBER		
4	209031	46683301070	MAZAK <sup>®</sup> BRASS BASE		
5	209021	46683301090	MAZAK <sup>®</sup> SPACER PTFE 30X4		
	209024	46683301090	MAZAK <sup>®</sup> SPECIAL SPACER 30X4 - PEEK		
	209041	46683301090	MAZAK <sup>®</sup> CERAMIC SPACER 30x4		
6	209012	46683301100	MAZAK <sup>®</sup> COPPER NUT		
7	209011	46773300510	MAZAK <sup>®</sup> COPPER RING SUPPORT		
8	209018	46683301120	MAZAK <sup>®</sup> PTFE SPACER 24x3		
	209033	46683301120	MAZAK <sup>®</sup> SPECIAL SPACER 24x3 - PLASTIC		
	209038	46683301120	MAZAK <sup>®</sup> CERAMIC SPACER 24x3		
9	209030	46773300710	MAZAK <sup>®</sup> CERAMIC SPACER 24x3		
	209039	46773300710	MAZAK <sup>®</sup> CERAMIC SPACER 24x3		
10	209013	46683300850	MAZAK <sup>®</sup> COPPER NOZZLE HOLDER		
11	209017	46773300720, 46773300721	MAZAK <sup>®</sup> COPPER NOZZLE HOLDER		
12	209020	46683301130	MAZAK <sup>®</sup> SPACER PTFE 24X4		
	209035	46683301130	MAZAK <sup>®</sup> SPECIAL SPACER 24X4 - PLASTIC		
	209040	46683301130	MAZAK <sup>®</sup> CERAMIC SPACER 24X4		
13	209014	46683301140	MAZAK <sup>®</sup> ALUMINIUM BODY		
14	209027	46683301150	MAZAK <sup>®</sup> SPACER PTFE 17X1,5		
15	209015	46683301160	MAZAK <sup>®</sup> COPPER RING		
16	209025	46683301930	MAZAK <sup>®</sup> PTFE PROTECTION		
	209043	46683301930P	MAZAK <sup>®</sup> SPECIAL PROTECTION - PLASTIC		
17	209026	46683301841	MAZAK <sup>®</sup> INSULATOR PTFE H15		
18	209057		MAZAK <sup>®</sup> CONNECTOR		
19	209056		MAZAK <sup>®</sup> CONNECTING PTFE PIPE		
20	209055	46683301170	MAZAK <sup>®</sup> CONTACT		
21	209131	46683300000	MAZAK <sup>®</sup> SCREW (4PCS)		
22	209054	46683301180	MAZAK <sup>®</sup> SCREW FOR CONTACT SLOTTED HEAD		
23	209059	46683301171	MAZAK <sup>®</sup> CONNECTOR ASSEMBLY		

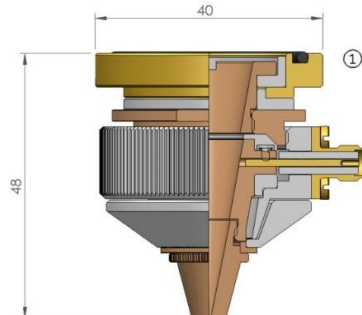
## Replacement parts suitable for MAZAK<sup>®</sup>



POS	LS. CODE	ORIGINAL CODE	DESCRIPTION	unit price	10 pack price
1	209065		MAZAK <sup>®</sup> HEAD W/PTFE SPACER		
	209066		MAZAK <sup>®</sup> HEAD W/LONG LIFE SPACER		
	209067		MAZAK <sup>®</sup> HEAD W/CERAMIC SPACER		

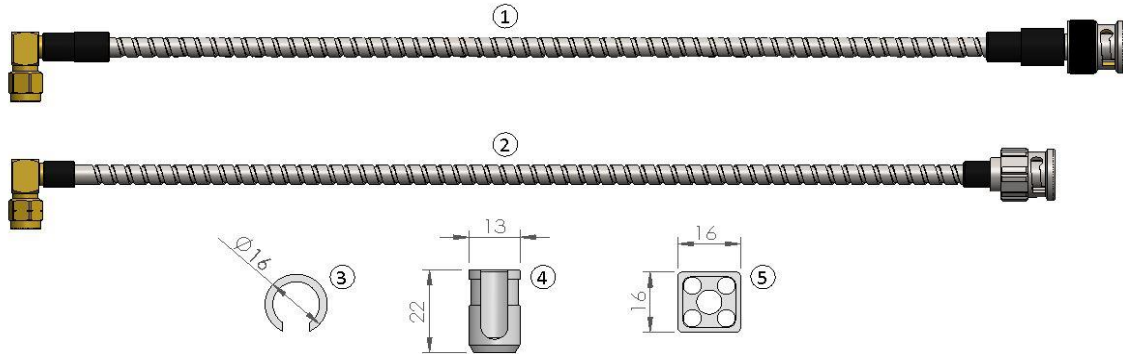


POS	LS. CODE	ORIGINAL CODE	DESCRIPTION	unit price	10 pack price
1	209068		MAZAK <sup>®</sup> HEAD W/PTFE SPACER		
	209069		MAZAK <sup>®</sup> HEAD W/LONG LIFE SPACER		
	209070		MAZAK <sup>®</sup> HEAD W/CERAMIC SPACER		



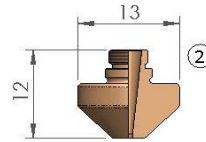
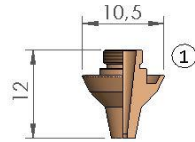
POS	LS. CODE	ORIGINAL CODE	DESCRIPTION	unit price	10 pack price
1	209071		MAZAK <sup>®</sup> HEAD W/PTFE SPACER		
	209072		MAZAK <sup>®</sup> HEAD W/LONG LIFE SPACER		
	209073		MAZAK <sup>®</sup> HEAD W/CERAMIC SPACER		

## Replacement parts suitable for MAZAK<sup>®</sup>



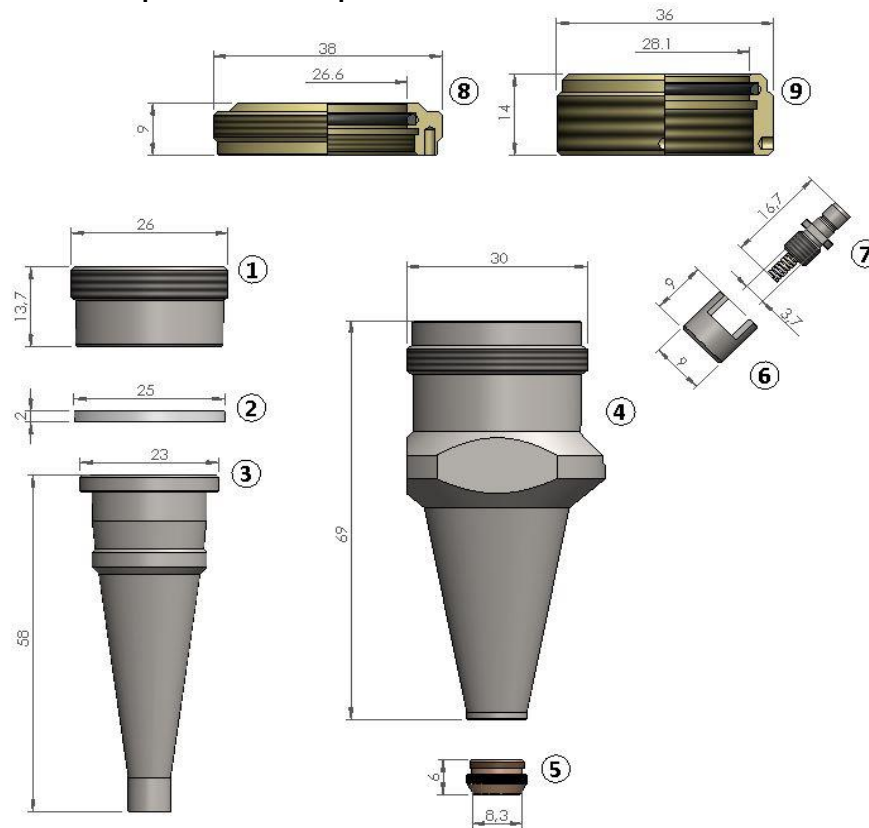
POS	LS. CODE	ORIGINAL CODE	DESCRIPTION	unit price	10 pack price
1	209049	46683301980	MAZAK <sup>®</sup> CONNECTING CABLE FOR SENSOR HEAD		
2	209050	46683301330	MAZAK <sup>®</sup> CONNECTING CABLE FOR SENSOR HEAD 33cm		
3	209045	46683301870, 46683301920	MAZAK <sup>®</sup> COVER CLIPS PTFE		
4	209046	46683301860, 46683301910	MAZAK <sup>®</sup> CONNECTOR COVER FOR CABLE PTFE		
5	209047	46683301851	MAZAK <sup>®</sup> CONNECTOR COVER PTFE		

## Replacement parts suitable for MAZAK<sup>®</sup>



POS	LS. CODE	ORIGINAL CODE	DESCRIPTION	unit price	10 pack price
1	203001W	46713300290	MAZAK <sup>®</sup> NOZZLE 3D Ø 1.0		
	203002W	Q6713330410	MAZAK <sup>®</sup> NOZZLE 3D Ø 1.2		
	203003W	46713300290	MAZAK <sup>®</sup> NOZZLE 3D Ø 1.5		
	203004W		MAZAK <sup>®</sup> NOZZLE 3D Ø 1.8		
	203005W	46713300280	MAZAK <sup>®</sup> NOZZLE 3D Ø 2.0		
	203006W	46713300280	MAZAK <sup>®</sup> NOZZLE 3D Ø 2.5		
	203007W	46713300280	MAZAK <sup>®</sup> NOZZLE 3D Ø 3.0		
	203008W	46713300280	MAZAK <sup>®</sup> NOZZLE 3D Ø 3.5		
2	203011W		MAZAK <sup>®</sup> NOZZLE 2D Ø 1.0		
	203012W	46713300310	MAZAK <sup>®</sup> NOZZLE 2D Ø 1.2		
	203013W		MAZAK <sup>®</sup> NOZZLE 2D Ø 1.5		
	203014W		MAZAK <sup>®</sup> NOZZLE 2D Ø 1.8		
	203015W	46713300300	MAZAK <sup>®</sup> NOZZLE 2D Ø 2.0		
	203016W	46713300300- 25	MAZAK <sup>®</sup> NOZZLE 2D Ø 2.5		
	203017W	46713300300 -30	MAZAK <sup>®</sup> NOZZLE 2D Ø 3.0		

## Replacement parts suitable for MAZAK<sup>®</sup>



POS	LS. CODE	ORIGINAL CODE	DESCRIPTION	unit price	10 pack price
1	209203	46713330940	MAZAK <sup>®</sup> TORCH INNER TOP		
2	209205	46713330960	MAZAK <sup>®</sup> WASHER FOR CONE		
3	209201	46713330930	MAZAK <sup>®</sup> INNER SENSOR CONE		
4	209202		MAZAK <sup>®</sup> SENSOR CONE		
5	209036	46713300321-P0352-311-00001	MAZAK <sup>®</sup> VESPEL NUT - SPACE GEAR		
6	209204	46713330951	MAZAK <sup>®</sup> CONNECTOR CAP		
7	209206	46713331111	MAZAK <sup>®</sup> CONNECTOR		
8	209208	P0492-702-00001-29100021	PRECITEC <sup>®</sup> INSULATING RING - plastic		
9	209209	46713330920	MAZAK <sup>®</sup> INSULATION RING		



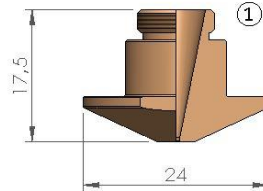
POS	LS. CODE	ORIGINAL CODE	DESCRIPTION	unit price	10 pack price
1	209207	46743300181	MAZAK <sup>®</sup> CONNECTING CABLE FOR SENSOR HEAD		



---



---

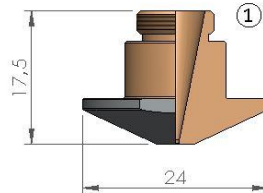
 Replacement parts suitable for MAZAK<sup>®</sup>


POS	LS. CODE	ORIGINAL CODE	DESCRIPTION	unit price	10 pack price
1	205002		MAZAK <sup>®</sup> NOZZLE Ø 1.0		
	205002W		MAZAK <sup>®</sup> NOZZLE Ø 1.0		
	205003		MAZAK <sup>®</sup> NOZZLE Ø 1.2		
	205003W		MAZAK <sup>®</sup> NOZZLE Ø 1.2		
	205004	46683301950	MAZAK <sup>®</sup> NOZZLE Ø 1.5		
	205004W	46683301950	MAZAK <sup>®</sup> NOZZLE Ø 1.5		
	205005	46683301821	MAZAK <sup>®</sup> NOZZLE Ø 2.0		
	205005W	46683301821	MAZAK <sup>®</sup> NOZZLE Ø 2.0		
	205006	46683301960	MAZAK <sup>®</sup> NOZZLE Ø 2.5		
	205006W	46683301960	MAZAK <sup>®</sup> NOZZLE Ø 2.5		
	205007	46683301970	MAZAK <sup>®</sup> NOZZLE Ø 3.0		
	205007W	46683301970	MAZAK <sup>®</sup> NOZZLE Ø 3.0		
	205008		MAZAK <sup>®</sup> NOZZLE Ø 3.5		
	205008W		MAZAK <sup>®</sup> NOZZLE Ø 3.5		
	205009		MAZAK <sup>®</sup> NOZZLE Ø 4.0		
	205009W		MAZAK <sup>®</sup> NOZZLE Ø 4.0		
	205010		MAZAK <sup>®</sup> NOZZLE Ø 4.5		
	205010W		MAZAK <sup>®</sup> NOZZLE Ø 4.5		

---

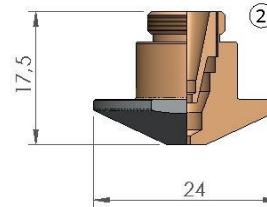
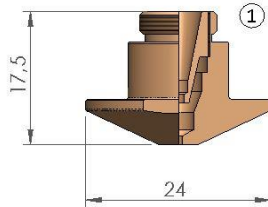


---

 Replacement parts suitable for MAZAK<sup>®</sup>


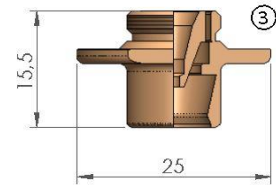
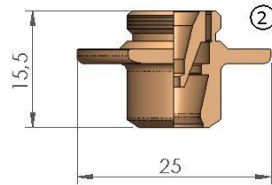
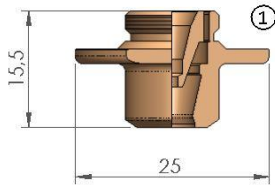
POS	LS. CODE	ORIGINAL CODE	DESCRIPTION	unit price	10 pack price
2	205002C		MAZAK <sup>®</sup> NOZZLE Ø 1.0 CP		
	205002CW		MAZAK <sup>®</sup> NOZZLE Ø 1.0 CP		
	205003C		MAZAK <sup>®</sup> NOZZLE Ø 1.2 CP		
	205003CW		MAZAK <sup>®</sup> NOZZLE Ø 1.2 CP		
	205004C	46683301950	MAZAK <sup>®</sup> NOZZLE Ø 1.5 CP		
	205004CW	46683301950	MAZAK <sup>®</sup> NOZZLE Ø 1.5 CP		
	205005C	46683301821	MAZAK <sup>®</sup> NOZZLE Ø 2.0 CP		
	205005CW	46683301821	MAZAK <sup>®</sup> NOZZLE Ø 2.0 CP		
	205006C	46683301960	MAZAK <sup>®</sup> NOZZLE Ø 2.5 CP		
	205006CW	46683301960	MAZAK <sup>®</sup> NOZZLE Ø 2.5 CP		
	205007C	46683301970	MAZAK <sup>®</sup> NOZZLE Ø 3.0 CP		
	205007CW	46683301970	MAZAK <sup>®</sup> NOZZLE Ø 3.0 CP		
	205008C		MAZAK <sup>®</sup> NOZZLE Ø 3.5 CP		
	205008CW		MAZAK <sup>®</sup> NOZZLE Ø 3.5 CP		
	205009C		MAZAK <sup>®</sup> NOZZLE Ø 4.0 CP		
	205009CW		MAZAK <sup>®</sup> NOZZLE Ø 4.0 CP		
	205010C		MAZAK <sup>®</sup> NOZZLE Ø 4.5 CP		
	205010CW		MAZAK <sup>®</sup> NOZZLE Ø 4.5 CP		

## Replacement parts suitable for MAZAK<sup>®</sup>

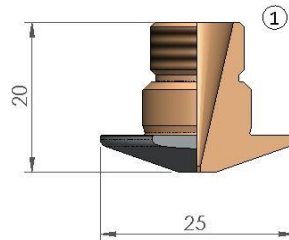


POS	LS. CODE	ORIGINAL CODE	DESCRIPTION	unit price	10 pack price
1	205015		MAZAK <sup>®</sup> DOUBLE NOZZLE Ø 1.0		
	205015W		MAZAK <sup>®</sup> DOUBLE NOZZLE Ø 1.0		
	205016		MAZAK <sup>®</sup> DOUBLE NOZZLE Ø 1.2		
	205016W		MAZAK <sup>®</sup> DOUBLE NOZZLE Ø 1.2		
	205017	46683302420	MAZAK <sup>®</sup> DOUBLE NOZZLE Ø 1.5		
	205017W	46683302420	MAZAK <sup>®</sup> DOUBLE NOZZLE Ø 1.5		
	205018		MAZAK <sup>®</sup> DOUBLE NOZZLE Ø 1.8		
	205018W		MAZAK <sup>®</sup> DOUBLE NOZZLE Ø 1.8		
	205019	46683302430	MAZAK <sup>®</sup> DOUBLE NOZZLE Ø 2.0		
	205019W	46683302430	MAZAK <sup>®</sup> DOUBLE NOZZLE Ø 2.0		
	205020	46683302440	MAZAK <sup>®</sup> DOUBLE NOZZLE Ø 2.5		
	205020W	46683302440	MAZAK <sup>®</sup> DOUBLE NOZZLE Ø 2.5		
	205021	46683302450	MAZAK <sup>®</sup> DOUBLE NOZZLE Ø 3.0		
	205021W	46683302450	MAZAK <sup>®</sup> DOUBLE NOZZLE Ø 3,0		
2	205015C		MAZAK <sup>®</sup> DOUBLE NOZZLE Ø 1.0 CP		
	205015CW		MAZAK <sup>®</sup> DOUBLE NOZZLE Ø 1.0 CP		
	205016C		MAZAK <sup>®</sup> DOUBLE NOZZLE Ø 1.2 CP		
	205016CW		MAZAK <sup>®</sup> DOUBLE NOZZLE Ø 1.2 CP		
	205017C	46683302420	MAZAK <sup>®</sup> DOUBLE NOZZLE Ø 1.5 CP		
	205017CW	46683302420	MAZAK <sup>®</sup> DOUBLE NOZZLE Ø 1.5 CP		
	205018C		MAZAK <sup>®</sup> DOUBLE NOZZLE Ø 1.8 CP		
	205018CW		MAZAK <sup>®</sup> DOUBLE NOZZLE Ø 1.8 CP		
	205019C	46683302430	MAZAK <sup>®</sup> DOUBLE NOZZLE Ø 2.0 CP		
	205019CW	46683302430	MAZAK <sup>®</sup> DOUBLE NOZZLE Ø 2.0 CP		
	205020C	46683302440	MAZAK <sup>®</sup> DOUBLE NOZZLE Ø 2.5 CP		
	205020CW	46683302440	MAZAK <sup>®</sup> DOUBLE NOZZLE Ø 2.5 CP		
	205021C	46683302450	MAZAK <sup>®</sup> DOUBLE NOZZLE Ø 3.0 CP		
	205021CW	46683302440	MAZAK <sup>®</sup> DOUBLE NOZZLE Ø 3.0 CP		

## Replacement parts suitable for MAZAK<sup>®</sup>



POS	LS. CODE	ORIGINAL CODE	DESCRIPTION	unit price	10 pack price
1	201055	Q6283300030	MAZAK <sup>®</sup> DOUBLE NOZZLE SMOOTH Ø 6.0		
	201055W	Q6283300030	MAZAK <sup>®</sup> DOUBLE NOZZLE SMOOTH Ø 6.0		
2	201056	Q6283300020	MAZAK <sup>®</sup> DOUBLE NOZZLE SMOOTH Ø 7.5		
	201056W	Q6283300020	MAZAK <sup>®</sup> DOUBLE NOZZLE SMOOTH Ø 7.5		
3	201057	Q6283300010	MAZAK <sup>®</sup> DOUBLE NOZZLE SMOOTH Ø 9.5		
	201057W	Q6283300010	MAZAK <sup>®</sup> DOUBLE NOZZLE SMOOTH Ø 9.5		



POS	LS. CODE	ORIGINAL CODE	DESCRIPTION	unit price	5 pack price
1	201100C		MAZAK <sup>®</sup> NOZZLE Ø 0.8 CP		
	201100CV		MAZAK <sup>®</sup> NOZZLE Ø 0.8 CP		
	201101C		MAZAK <sup>®</sup> NOZZLE Ø 1.0 CP		
	201101CV		MAZAK <sup>®</sup> NOZZLE Ø 1.0 CP		
	201102C	46143304470	MAZAK <sup>®</sup> NOZZLE Ø 1.2 CP		
	201102CV	46143304470	MAZAK <sup>®</sup> NOZZLE Ø 1.2 CP		
	201103C	46143304450	MAZAK <sup>®</sup> NOZZLE Ø 1.5 CP		
	201103CV	46143304450	MAZAK <sup>®</sup> NOZZLE Ø 1.5 CP		
	201104C		MAZAK <sup>®</sup> NOZZLE Ø 1.8 CP		
	201104CV		MAZAK <sup>®</sup> NOZZLE Ø 1.8 CP		
	201105C	46143304460	MAZAK <sup>®</sup> NOZZLE Ø 2.0 CP		
	201105CV	46143304460	MAZAK <sup>®</sup> NOZZLE Ø 2.0 CP		
	201106C	46143304480	MAZAK <sup>®</sup> NOZZLE Ø 2.5 CP		
	201106CV	46143304480	MAZAK <sup>®</sup> NOZZLE Ø 2.5 CP		
	201107C	46143304490	MAZAK <sup>®</sup> NOZZLE Ø 3.0 CP		
	201107CV	46143304490	MAZAK <sup>®</sup> NOZZLE Ø 3.0 CP		
	201108C	46143304500	MAZAK <sup>®</sup> NOZZLE Ø 3.5 CP		
	201108CV	46143304500	MAZAK <sup>®</sup> NOZZLE Ø 3.5 CP		
	201109C	46143304510	MAZAK <sup>®</sup> NOZZLE Ø 4.0 CP		
	201109CV	46143304510	MAZAK <sup>®</sup> NOZZLE Ø 4.0 CP		

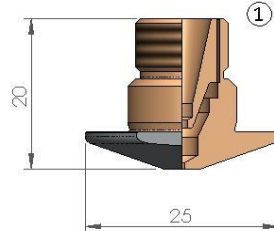
Laser Store srl is not affiliated with the named manufacturers. Reference to machines, parts, descriptions, and model numbers are for convenience in verifying compatibility only. All parts are made by or for Laser Store srl and are not made by the reference manufactures (unless expressly indicated). All other trademarks are the properties of their respective owners."

---



---

## Replacement parts suitable for MAZAK<sup>®</sup>

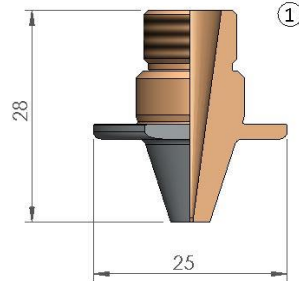


POS	LS. CODE	ORIGINAL CODE	DESCRIPTION	unit price	5 pack price
1	201115C		MAZAK <sup>®</sup> DOUBLE NOZZLE Ø 1.2 CP		
	201115CV		MAZAK <sup>®</sup> DOUBLE NOZZLE Ø 1.2 CP		
	201116C	46143306450	MAZAK <sup>®</sup> DOUBLE NOZZLE Ø 1.5 CP		
	201116CV	46143306450	MAZAK <sup>®</sup> DOUBLE NOZZLE Ø 1.5 CP		
	201117C	46143306460	MAZAK <sup>®</sup> DOUBLE NOZZLE Ø 2.0 CP		
	201117CV	46143306460	MAZAK <sup>®</sup> DOUBLE NOZZLE Ø 2.0 CP		
	201118C	46143306480	MAZAK <sup>®</sup> DOUBLE NOZZLE Ø 2.5 CP		
	201118CV	46143306480	MAZAK <sup>®</sup> DOUBLE NOZZLE Ø 2.5 CP		
	201119C	46143306490	MAZAK <sup>®</sup> DOUBLE NOZZLE Ø 3.0 CP		
	201119CV	46143306490	MAZAK <sup>®</sup> DOUBLE NOZZLE Ø 3.0 CP		
	201120C	46143306500	MAZAK <sup>®</sup> DOUBLE NOZZLE Ø 3.5 CP		
	201120CV	46143306500	MAZAK <sup>®</sup> DOUBLE NOZZLE Ø 3.5 CP		
	201121C		MAZAK <sup>®</sup> DOUBLE NOZZLE Ø 4.0 CP		
	201121CV		MAZAK <sup>®</sup> DOUBLE NOZZLE Ø 4.0 CP		

---



---

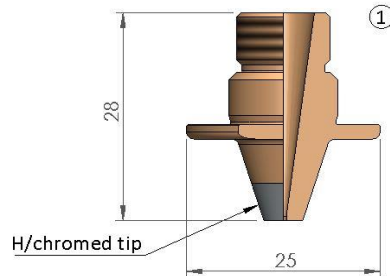
**Replacement parts suitable for MAZAK<sup>®</sup>**


POS	LS. CODE	ORIGINAL CODE	DESCRIPTION	unit price	5 pack price
1	201001C		MAZAK <sup>®</sup> NOZZLE SLIM Ø 0.8 CP		
	201001CV		MAZAK <sup>®</sup> NOZZLE SLIM Ø 0.8 CP		
	201002C		MAZAK <sup>®</sup> NOZZLE SLIM Ø 1.0 CP		
	201002CV		MAZAK <sup>®</sup> NOZZLE SLIM Ø 1.0 CP		
	201003C	46143310343	MAZAK <sup>®</sup> NOZZLE SLIM Ø 1.2 CP		
	201003CV	46143310343	MAZAK <sup>®</sup> NOZZLE SLIM Ø 1.2 CP		
	201004C	46143310353	MAZAK <sup>®</sup> NOZZLE SLIM Ø 1.5 CP		
	201004CV	46143310353	MAZAK <sup>®</sup> NOZZLE SLIM Ø 1.5 CP		
	201005C		MAZAK <sup>®</sup> NOZZLE SLIM Ø 1.8 CP		
	201005CV		MAZAK <sup>®</sup> NOZZLE SLIM Ø 1.8 CP		
	201006C	46143310363	MAZAK <sup>®</sup> NOZZLE SLIM Ø 2.0 CP		
	201006CV	46143310363	MAZAK <sup>®</sup> NOZZLE SLIM Ø 2.0 CP		
	201007C		MAZAK <sup>®</sup> NOZZLE SLIM Ø 2.2 CP		
	201007CV		MAZAK <sup>®</sup> NOZZLE SLIM Ø 2.2 CP		
	201008C	46143310373	MAZAK <sup>®</sup> NOZZLE SLIM Ø 2.5 CP		
	201008CV	46143310373	MAZAK <sup>®</sup> NOZZLE SLIM Ø 2.5 CP		
	201009C	46143310383	MAZAK <sup>®</sup> NOZZLE SLIM Ø 3.0 CP		
	201009CV	46143310383	MAZAK <sup>®</sup> NOZZLE SLIM Ø 3.0 CP		
	201010C	46143310393	MAZAK <sup>®</sup> NOZZLE SLIM Ø 3.5 CP		
	201010CV	46143310393	MAZAK <sup>®</sup> NOZZLE SLIM Ø 3.5 CP		
201011C	46143310403	MAZAK <sup>®</sup> NOZZLE SLIM Ø 4.0 CP			
201011CV	46143310403	MAZAK <sup>®</sup> NOZZLE SLIM Ø 4.0 CP			

---



---

 Replacement parts suitable for MAZAK<sup>®</sup>


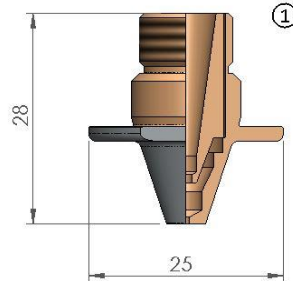
POS	LS. CODE	ORIGINAL CODE	DESCRIPTION	unit price	5 pack price
1	201001CK		MAZAK <sup>®</sup> NOZZLE SLIM Ø 0.8 CP		
	201001CKV		MAZAK <sup>®</sup> NOZZLE SLIM Ø 0.8 CP		
	201002CK		MAZAK <sup>®</sup> NOZZLE SLIM Ø 1.0 CP		
	201002CKV		MAZAK <sup>®</sup> NOZZLE SLIM Ø 1.0 CP		
	201003CK	46143310343	MAZAK <sup>®</sup> NOZZLE SLIM Ø 1.2 CP		
	201003CKV	46143310343	MAZAK <sup>®</sup> NOZZLE SLIM Ø 1.2 CP		
	201004CK	46143310353	MAZAK <sup>®</sup> NOZZLE SLIM Ø 1.5 CP		
	201004CKV	46143310353	MAZAK <sup>®</sup> NOZZLE SLIM Ø 1.5 CP		
	201005CK		MAZAK <sup>®</sup> NOZZLE SLIM Ø 1.8 CP		
	201005CKV		MAZAK <sup>®</sup> NOZZLE SLIM Ø 1.8 CP		
	201006CK	46143310363	MAZAK <sup>®</sup> NOZZLE SLIM Ø 2.0 CP		
	201006CKV	46143310363	MAZAK <sup>®</sup> NOZZLE SLIM Ø 2.0 CP		
	201007CK		MAZAK <sup>®</sup> NOZZLE SLIM Ø 2.2 CP		
	201007CKV		MAZAK <sup>®</sup> NOZZLE SLIM Ø 2.2 CP		
	201008CK	46143310373	MAZAK <sup>®</sup> NOZZLE SLIM Ø 2.5 CP		
	201008CKV	46143310373	MAZAK <sup>®</sup> NOZZLE SLIM Ø 2.5 CP		
	201009CK	46143310383	MAZAK <sup>®</sup> NOZZLE SLIM Ø 3.0 CP		
	201009CKV	46143310383	MAZAK <sup>®</sup> NOZZLE SLIM Ø 3.0 CP		
	201010CK	46143310393	MAZAK <sup>®</sup> NOZZLE SLIM Ø 3.5 CP		
	201010CKV	46143310393	MAZAK <sup>®</sup> NOZZLE SLIM Ø 3.5 CP		
201011CK	46143310402	MAZAK <sup>®</sup> NOZZLE SLIM Ø 4.0 CP			
201011CKV	46143310402	MAZAK <sup>®</sup> NOZZLE SLIM Ø 4.0 CP			



---

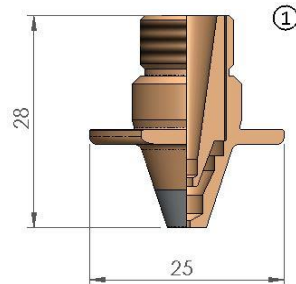


---

**Replacement parts suitable for MAZAK<sup>®</sup>**


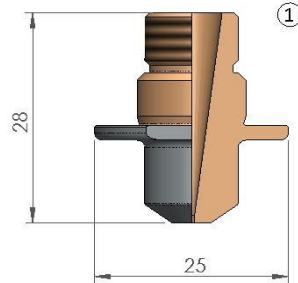
POS	LS. CODE	ORIGINAL CODE	DESCRIPTION	unit price	5 pack price
1	201017C		MAZAK <sup>®</sup> DOUBLE NOZZLE SLIM Ø 0.8 CP		
	201017CV		MAZAK <sup>®</sup> DOUBLE NOZZLE SLIM Ø 0.8 CP		
	201018C		MAZAK <sup>®</sup> DOUBLE NOZZLE SLIM Ø 1.0 CP		
	201018CV		MAZAK <sup>®</sup> DOUBLE NOZZLE SLIM Ø 1.0 CP		
	201019C		MAZAK <sup>®</sup> DOUBLE NOZZLE SLIM Ø 1.2 CP		
	201019CV		MAZAK <sup>®</sup> DOUBLE NOZZLE SLIM Ø 1.2 CP		
	201020C	36143311500	MAZAK <sup>®</sup> DOUBLE NOZZLE SLIM Ø 1.5 CP		
	201020CV	36143311500	MAZAK <sup>®</sup> DOUBLE NOZZLE SLIM Ø 1.5 CP		
	201021C		MAZAK <sup>®</sup> DOUBLE NOZZLE SLIM Ø 1.8 CP		
	201021CV		MAZAK <sup>®</sup> DOUBLE NOZZLE SLIM Ø 1.8 CP		
	201022C	36143311510	MAZAK <sup>®</sup> DOUBLE NOZZLE SLIM Ø 2.0 CP		
	201022CV	36143311510	MAZAK <sup>®</sup> DOUBLE NOZZLE SLIM Ø 2.0 CP		
	201023C		MAZAK <sup>®</sup> DOUBLE NOZZLE SLIM Ø 2.2 CP		
	201023CV		MAZAK <sup>®</sup> DOUBLE NOZZLE SLIM Ø 2.2 CP		
	201024C	36143311520	MAZAK <sup>®</sup> DOUBLE NOZZLE SLIM Ø 2.5 CP		
	201024CV	36143311520	MAZAK <sup>®</sup> DOUBLE NOZZLE SLIM Ø 2.5 CP		
	201025C	36143311530	MAZAK <sup>®</sup> DOUBLE NOZZLE SLIM Ø 3.0 CP		
	201025CV	36143311530	MAZAK <sup>®</sup> DOUBLE NOZZLE SLIM Ø 3.0 CP		
	201026C	36143312380	MAZAK <sup>®</sup> DOUBLE NOZZLE SLIM Ø 3.5 CP		
	201026CV	36143312380	MAZAK <sup>®</sup> DOUBLE NOZZLE SLIM Ø 3.5 CP		
	201027C	36143312390	MAZAK <sup>®</sup> DOUBLE NOZZLE SLIM Ø 4.0 CP		
	201027CV	36143312390	MAZAK <sup>®</sup> DOUBLE NOZZLE SLIM Ø 4.0 CP		
	201028C		MAZAK <sup>®</sup> DOUBLE NOZZLE SLIM Ø 4.5 CP		
	201028CV		MAZAK <sup>®</sup> DOUBLE NOZZLE SLIM Ø 4.5 CP		
	201029C		MAZAK <sup>®</sup> DOUBLE NOZZLE SLIM Ø 5.0 CP		
	201029CV		MAZAK <sup>®</sup> DOUBLE NOZZLE SLIM Ø 5.0 CP		

## Replacement parts suitable for MAZAK<sup>®</sup>



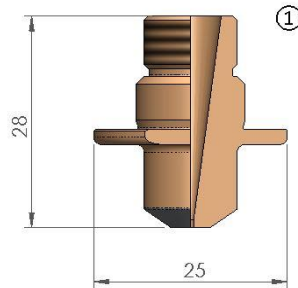
POS	LS. CODE	ORIGINAL CODE	DESCRIPTION	unit price	5 pack price
1	201017CK		MAZAK <sup>®</sup> DOUBLE NOZZLE SLIM Ø 0.8 CP		
	201017CKV		MAZAK <sup>®</sup> DOUBLE NOZZLE SLIM Ø 0.8 CP		
	201018CK		MAZAK <sup>®</sup> DOUBLE NOZZLE SLIM Ø 1.0 CP		
	201018CKV		MAZAK <sup>®</sup> DOUBLE NOZZLE SLIM Ø 1.0 CP		
	201019CK		MAZAK <sup>®</sup> DOUBLE NOZZLE SLIM Ø 1.2 CP		
	201019CKV		MAZAK <sup>®</sup> DOUBLE NOZZLE SLIM Ø 1.2 CP		
	201020CK	36143311500	MAZAK <sup>®</sup> DOUBLE NOZZLE SLIM Ø 1.5 CP		
	201020CKV	36143311500	MAZAK <sup>®</sup> DOUBLE NOZZLE SLIM Ø 1.5 CP		
	201021CK		MAZAK <sup>®</sup> DOUBLE NOZZLE SLIM Ø 1.8 CP		
	201021CKV		MAZAK <sup>®</sup> DOUBLE NOZZLE SLIM Ø 1.8 CP		
	201022CK	36143311510	MAZAK <sup>®</sup> DOUBLE NOZZLE SLIM Ø 2.0 CP		
	201022CKV	36143311510	MAZAK <sup>®</sup> DOUBLE NOZZLE SLIM Ø 2.0 CP		
	201023CK		MAZAK <sup>®</sup> DOUBLE NOZZLE SLIM Ø 2.2 CP		
	201023CKV		MAZAK <sup>®</sup> DOUBLE NOZZLE SLIM Ø 2.2 CP		
	201024CK	36143311520	MAZAK <sup>®</sup> DOUBLE NOZZLE SLIM Ø 2.5 CP		
	201024CKV	36143311520	MAZAK <sup>®</sup> DOUBLE NOZZLE SLIM Ø 2.5 CP		
	201025CK	36143311530	MAZAK <sup>®</sup> DOUBLE NOZZLE SLIM Ø 3.0 CP		
	201025CKV	36143311530	MAZAK <sup>®</sup> DOUBLE NOZZLE SLIM Ø 3.0 CP		
	201026CK	36143312380	MAZAK <sup>®</sup> DOUBLE NOZZLE SLIM Ø 3.5 CP		
	201026CKV	36143312380	MAZAK <sup>®</sup> DOUBLE NOZZLE SLIM Ø 3.5 CP		
	201027CK	36143312390	MAZAK <sup>®</sup> DOUBLE NOZZLE SLIM Ø 4.0 CP		
	201027CKV	36143312390	MAZAK <sup>®</sup> DOUBLE NOZZLE SLIM Ø 4.0 CP		
	201028CK		MAZAK <sup>®</sup> DOUBLE NOZZLE SLIM Ø 4.5 CP		
	201028CKV		MAZAK <sup>®</sup> DOUBLE NOZZLE SLIM Ø 4.5 CP		
	201029CK		MAZAK <sup>®</sup> DOUBLE NOZZLE SLIM Ø 5.0 CP		
	201029CKV		MAZAK <sup>®</sup> DOUBLE NOZZLE SLIM Ø 5.0 CP		

## Replacement parts suitable for MAZAK<sup>®</sup>



POS	LS. CODE	ORIGINAL CODE	DESCRIPTION	unit price	5 pack price
1	201034C		MAZAK <sup>®</sup> NOZZLE PENCIL Ø 0.8 CP		
	201034CV		MAZAK <sup>®</sup> NOZZLE PENCIL Ø 0.8 CP		
	201035C	06283301190	MAZAK <sup>®</sup> NOZZLE PENCIL Ø 1.0 CP		
	201035CV	06283301190	MAZAK <sup>®</sup> NOZZLE PENCIL Ø 1.0 CP		
	201036C	36143312220	MAZAK <sup>®</sup> NOZZLE PENCIL Ø 1.2 CP		
	201036CV	36143312220	MAZAK <sup>®</sup> NOZZLE PENCIL Ø 1.2 CP		
	201037C	36143312230	MAZAK <sup>®</sup> NOZZLE PENCIL Ø 1.5 CP		
	201037CV	36143312230	MAZAK <sup>®</sup> NOZZLE PENCIL Ø 1.5 CP		
	201038C	Q6143300060	MAZAK <sup>®</sup> NOZZLE PENCIL Ø 1.8 CP		
	201038CV	Q6143300060	MAZAK <sup>®</sup> NOZZLE PENCIL Ø 1.8 CP		
	201039C	36143312240	MAZAK <sup>®</sup> NOZZLE PENCIL Ø 2.0 CP		
	201039CV	36143312240	MAZAK <sup>®</sup> NOZZLE PENCIL Ø 2.0 CP		
	201040C		MAZAK <sup>®</sup> NOZZLE PENCIL Ø 2.2 CP		
	201040CV		MAZAK <sup>®</sup> NOZZLE PENCIL Ø 2.2 CP		
	201041C	36143312250	MAZAK <sup>®</sup> NOZZLE PENCIL Ø 2.5 CP		
	201041CV	36143312250	MAZAK <sup>®</sup> NOZZLE PENCIL Ø 2.5 CP		
	201042C	36143312260	MAZAK <sup>®</sup> NOZZLE PENCIL Ø 3.0 CP		
	201042CV	36143312260	MAZAK <sup>®</sup> NOZZLE PENCIL Ø 3.0 CP		
	201043C	36143312270	MAZAK <sup>®</sup> NOZZLE PENCIL Ø 3.5 CP		
	201043CV	36143312270	MAZAK <sup>®</sup> NOZZLE PENCIL Ø 3.5 CP		
	201044C	36143312280	MAZAK <sup>®</sup> NOZZLE PENCIL Ø 4.0 CP		
	201044CV	36143312280	MAZAK <sup>®</sup> NOZZLE PENCIL Ø 4.0 CP		
	201045C	06143355590	MAZAK <sup>®</sup> NOZZLE PENCIL Ø 4.5 CP		
	201045CV	06143355590	MAZAK <sup>®</sup> NOZZLE PENCIL Ø 4.5 CP		
	201046C	06283301030	MAZAK <sup>®</sup> NOZZLE PENCIL Ø 5.0 CP		
	201046CV	06283301030	MAZAK <sup>®</sup> NOZZLE PENCIL Ø 5.0 CP		
	201047C	06143355600	MAZAK <sup>®</sup> NOZZLE PENCIL Ø 5.5 CP		
	201047CV	06143355600	MAZAK <sup>®</sup> NOZZLE PENCIL Ø 5.5 CP		

## Replacement parts suitable for MAZAK<sup>®</sup>

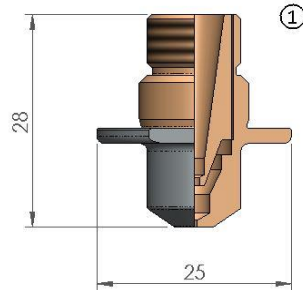


POS	LS. CODE	ORIGINAL CODE	DESCRIPTION	unit price	5 pack price
1	201034CK		MAZAK <sup>®</sup> NOZZLE PENCIL Ø 0.8 CP		
	201034CKV		MAZAK <sup>®</sup> NOZZLE PENCIL Ø 0.8 CP		
	201035CK	06283301190	MAZAK <sup>®</sup> NOZZLE PENCIL Ø 1.0 CP		
	201035CKV	06283301190	MAZAK <sup>®</sup> NOZZLE PENCIL Ø 1.0 CP		
	201036CK	36143312220	MAZAK <sup>®</sup> NOZZLE PENCIL Ø 1.2 CP		
	201036CKV	36143312220	MAZAK <sup>®</sup> NOZZLE PENCIL Ø 1.2 CP		
	201037CK	36143312230	MAZAK <sup>®</sup> NOZZLE PENCIL Ø 1.5 CP		
	201037CKV	36143312230	MAZAK <sup>®</sup> NOZZLE PENCIL Ø 1.5 CP		
	201038CK	Q6143300060	MAZAK <sup>®</sup> NOZZLE PENCIL Ø 1.8 CP		
	201038CKV	Q6143300060	MAZAK <sup>®</sup> NOZZLE PENCIL Ø 1.8 CP		
	201039CK	36143312240	MAZAK <sup>®</sup> NOZZLE PENCIL Ø 2.0 CP		
	201039CKV	36143312240	MAZAK <sup>®</sup> NOZZLE PENCIL Ø 2.0 CP		
	201040CK		MAZAK <sup>®</sup> NOZZLE PENCIL Ø 2.2 CP		
	201040CKV		MAZAK <sup>®</sup> NOZZLE PENCIL Ø 2.2 CP		
	201041CK	36143312250	MAZAK <sup>®</sup> NOZZLE PENCIL Ø 2.5 CP		
	201041CKV	36143312250	MAZAK <sup>®</sup> NOZZLE PENCIL Ø 2.5 CP		
	201042CK	36143312260	MAZAK <sup>®</sup> NOZZLE PENCIL Ø 3.0 CP		
	201042CKV	36143312260	MAZAK <sup>®</sup> NOZZLE PENCIL Ø 3.0 CP		
	201043CK	36143312270	MAZAK <sup>®</sup> NOZZLE PENCIL Ø 3.5 CP		
	201043CKV	36143312270	MAZAK <sup>®</sup> NOZZLE PENCIL Ø 3.5 CP		
	201044CK	36143312280	MAZAK <sup>®</sup> NOZZLE PENCIL Ø 4.0 CP		
	201044CKV	36143312280	MAZAK <sup>®</sup> NOZZLE PENCIL Ø 4.0 CP		
	201045CK	06143355590	MAZAK <sup>®</sup> NOZZLE PENCIL Ø 4.5 CP		
	201045CKV	06143355590	MAZAK <sup>®</sup> NOZZLE PENCIL Ø 4.5 CP		
	201046CK	06283301030	MAZAK <sup>®</sup> NOZZLE PENCIL Ø 5.0 CP		
	201046CKV	06283301030	MAZAK <sup>®</sup> NOZZLE PENCIL Ø 5.0 CP		
	201047CK	06143355600	MAZAK <sup>®</sup> NOZZLE PENCIL Ø 5.5 CP		
	201047CKV	06143355600	MAZAK <sup>®</sup> NOZZLE PENCIL Ø 5.5 CP		

---

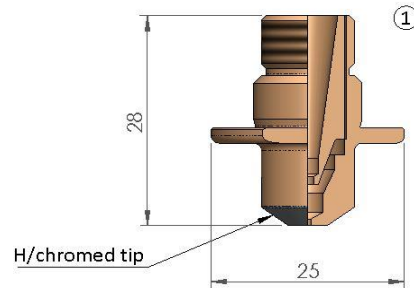


---

**Replacement parts suitable for MAZAK<sup>®</sup>**


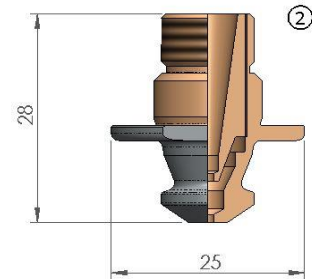
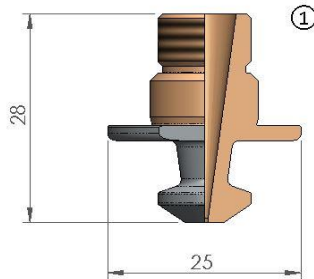
POS	LS. CODE	ORIGINAL CODE	DESCRIPTION	unit price	5 pack price
1	201062C		MAZAK <sup>®</sup> DOUBLE NOZZLE PENCIL Ø 0.8 CP		
	201062CV		MAZAK <sup>®</sup> DOUBLE NOZZLE PENCIL Ø 0.8 CP		
	201063C		MAZAK <sup>®</sup> DOUBLE NOZZLE PENCIL Ø 1.0 CP		
	201063CV		MAZAK <sup>®</sup> DOUBLE NOZZLE PENCIL Ø 1.0 CP		
	201064C	Q6143300080	MAZAK <sup>®</sup> DOUBLE NOZZLE PENCIL Ø 1.2 CP		
	201064CV	Q6143300080	MAZAK <sup>®</sup> DOUBLE NOZZLE PENCIL Ø 1.2 CP		
	201065C	36143312300	MAZAK <sup>®</sup> DOUBLE NOZZLE PENCIL Ø 1.5 CP		
	201065CV	36143312300	MAZAK <sup>®</sup> DOUBLE NOZZLE PENCIL Ø 1.5 CP		
	201066C	36143312310	MAZAK <sup>®</sup> DOUBLE NOZZLE PENCIL Ø 1.8 CP		
	201066CV	36143312310	MAZAK <sup>®</sup> DOUBLE NOZZLE PENCIL Ø 1.8 CP		
	201067C	36143312311	MAZAK <sup>®</sup> DOUBLE NOZZLE PENCIL Ø 2.0 CP		
	201067CV	36143312311	MAZAK <sup>®</sup> DOUBLE NOZZLE PENCIL Ø 2.0 CP		
	201068C		MAZAK <sup>®</sup> DOUBLE NOZZLE PENCIL Ø 2.2 CP		
	201068CV		MAZAK <sup>®</sup> DOUBLE NOZZLE PENCIL Ø 2.2 CP		
	201069C	36143312320	MAZAK <sup>®</sup> DOUBLE NOZZLE PENCIL Ø 2.5 CP		
	201069CV	36143312320	MAZAK <sup>®</sup> DOUBLE NOZZLE PENCIL Ø 2.5 CP		
	201070C	36143312330	MAZAK <sup>®</sup> DOUBLE NOZZLE PENCIL Ø 3.0 CP		
	201070CV	36143312330	MAZAK <sup>®</sup> DOUBLE NOZZLE PENCIL Ø 3.0 CP		
	201071C	36143312340	MAZAK <sup>®</sup> DOUBLE NOZZLE PENCIL Ø 3.5 CP		
	201071CV	36143312340	MAZAK <sup>®</sup> DOUBLE NOZZLE PENCIL Ø 3.5 CP		
	201072C	36143312350	MAZAK <sup>®</sup> DOUBLE NOZZLE PENCIL Ø 4.0 CP		
	201072CV	36143312350	MAZAK <sup>®</sup> DOUBLE NOZZLE PENCIL Ø 4.0 CP		
	201073C	Q6143312360	MAZAK <sup>®</sup> DOUBLE NOZZLE PENCIL Ø 4.5 CP		
	201073CV	Q6143312360	MAZAK <sup>®</sup> DOUBLE NOZZLE PENCIL Ø 4.5 CP		
	201074C	Q6143312370	MAZAK <sup>®</sup> DOUBLE NOZZLE PENCIL Ø 5.0 CP		
	201074CV	Q6143312370	MAZAK <sup>®</sup> DOUBLE NOZZLE PENCIL Ø 5.0 CP		

## Replacement parts suitable for MAZAK<sup>®</sup>



POS	LS. CODE	ORIGINAL CODE	DESCRIPTION	unit price	5 pack price
1	201062CK		MAZAK <sup>®</sup> DOUBLE NOZZLE PENCIL Ø 0.8 CP		
	201062CKV		MAZAK <sup>®</sup> DOUBLE NOZZLE PENCIL Ø 0.8 CP		
	201063CK		MAZAK <sup>®</sup> DOUBLE NOZZLE PENCIL Ø 1.0 CP		
	201063CKV		MAZAK <sup>®</sup> DOUBLE NOZZLE PENCIL Ø 1.0 CP		
	201064CK	Q6143300080	MAZAK <sup>®</sup> DOUBLE NOZZLE PENCIL Ø 1.2 CP		
	201064CKV	Q6143300080	MAZAK <sup>®</sup> DOUBLE NOZZLE PENCIL Ø 1.2 CP		
	201065CK	36143312300	MAZAK <sup>®</sup> DOUBLE NOZZLE PENCIL Ø 1.5 CP		
	201065CKV	36143312300	MAZAK <sup>®</sup> DOUBLE NOZZLE PENCIL Ø 1.5 CP		
	201066CK	36143312310	MAZAK <sup>®</sup> DOUBLE NOZZLE PENCIL Ø 1.8 CP		
	201066CKV	36143312310	MAZAK <sup>®</sup> DOUBLE NOZZLE PENCIL Ø 1.8 CP		
	201067CK	36143312311	MAZAK <sup>®</sup> DOUBLE NOZZLE PENCIL Ø 2.0 CP		
	201067CKV	36143312311	MAZAK <sup>®</sup> DOUBLE NOZZLE PENCIL Ø 2.0 CP		
	201068CK		MAZAK <sup>®</sup> DOUBLE NOZZLE PENCIL Ø 2.2 CP		
	201068CKV		MAZAK <sup>®</sup> DOUBLE NOZZLE PENCIL Ø 2.2 CP		
	201069CK	36143312320	MAZAK <sup>®</sup> DOUBLE NOZZLE PENCIL Ø 2.5 CP		
	201069CKV	36143312320	MAZAK <sup>®</sup> DOUBLE NOZZLE PENCIL Ø 2.5 CP		
	201070CK	36143312330	MAZAK <sup>®</sup> DOUBLE NOZZLE PENCIL Ø 3.0 CP		
	201070CKV	36143312330	MAZAK <sup>®</sup> DOUBLE NOZZLE PENCIL Ø 3.0 CP		
	201071CK	36143312340	MAZAK <sup>®</sup> DOUBLE NOZZLE PENCIL Ø 3.5 CP		
	201071CKV	36143312340	MAZAK <sup>®</sup> DOUBLE NOZZLE PENCIL Ø 3.5 CP		
	201072CK	36143312350	MAZAK <sup>®</sup> DOUBLE NOZZLE PENCIL Ø 4.0 CP		
	201072CKV	36143312350	MAZAK <sup>®</sup> DOUBLE NOZZLE PENCIL Ø 4.0 CP		
	201073CK	Q6143312360	MAZAK <sup>®</sup> DOUBLE NOZZLE PENCIL Ø 4.5 CP		
	201073CKV	Q6143312360	MAZAK <sup>®</sup> DOUBLE NOZZLE PENCIL Ø 4.5 CP		
	201074CK	Q6143312370	MAZAK <sup>®</sup> DOUBLE NOZZLE PENCIL Ø 5.0 CP		
	201074CKV	Q6143312370	MAZAK <sup>®</sup> DOUBLE NOZZLE PENCIL Ø 5.0 CP		

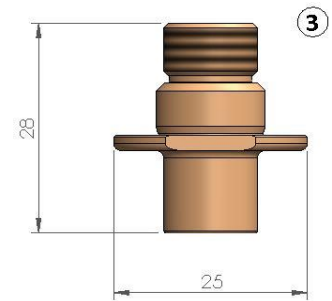
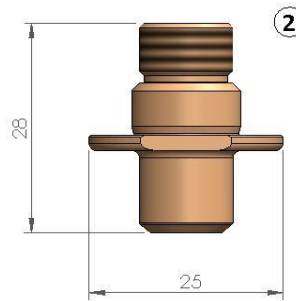
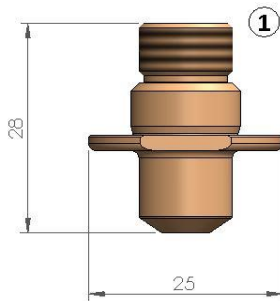
## Replacement parts suitable for MAZAK<sup>®</sup>



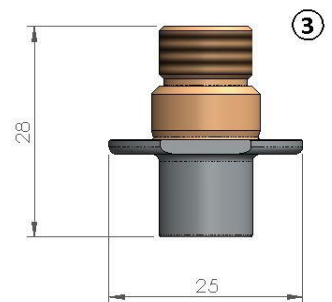
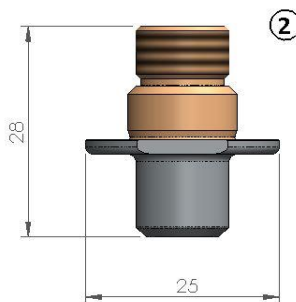
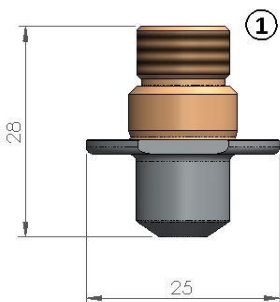
POS	LS. CODE	ORIGINAL CODE	DESCRIPTION	unit price	5 pack price
1	201080C	06283301790	MAZAK <sup>®</sup> NOZZLE PENCIL Ø 1.0HP CP		
	201080CV	06283301790	MAZAK <sup>®</sup> NOZZLE PENCIL Ø 1.0HP CP		
	201081C	06283301800	MAZAK <sup>®</sup> NOZZLE PENCIL Ø 1.2HP CP		
	201081CV	06283301800	MAZAK <sup>®</sup> NOZZLE PENCIL Ø 1.2HP CP		
	201082C	06283301810	MAZAK <sup>®</sup> NOZZLE PENCIL Ø 1.5HP CP		
	201082CV	06283301810	MAZAK <sup>®</sup> NOZZLE PENCIL Ø 1.5HP CP		
2	201085C	06283301820	MAZAK <sup>®</sup> DOUBLE NOZZLE PENCIL Ø 1.5HP CP		
	201085CV	06283301820	MAZAK <sup>®</sup> DOUBLE NOZZLE PENCIL Ø 1.5HP CP		



## Replacement parts suitable for MAZAK<sup>®</sup>

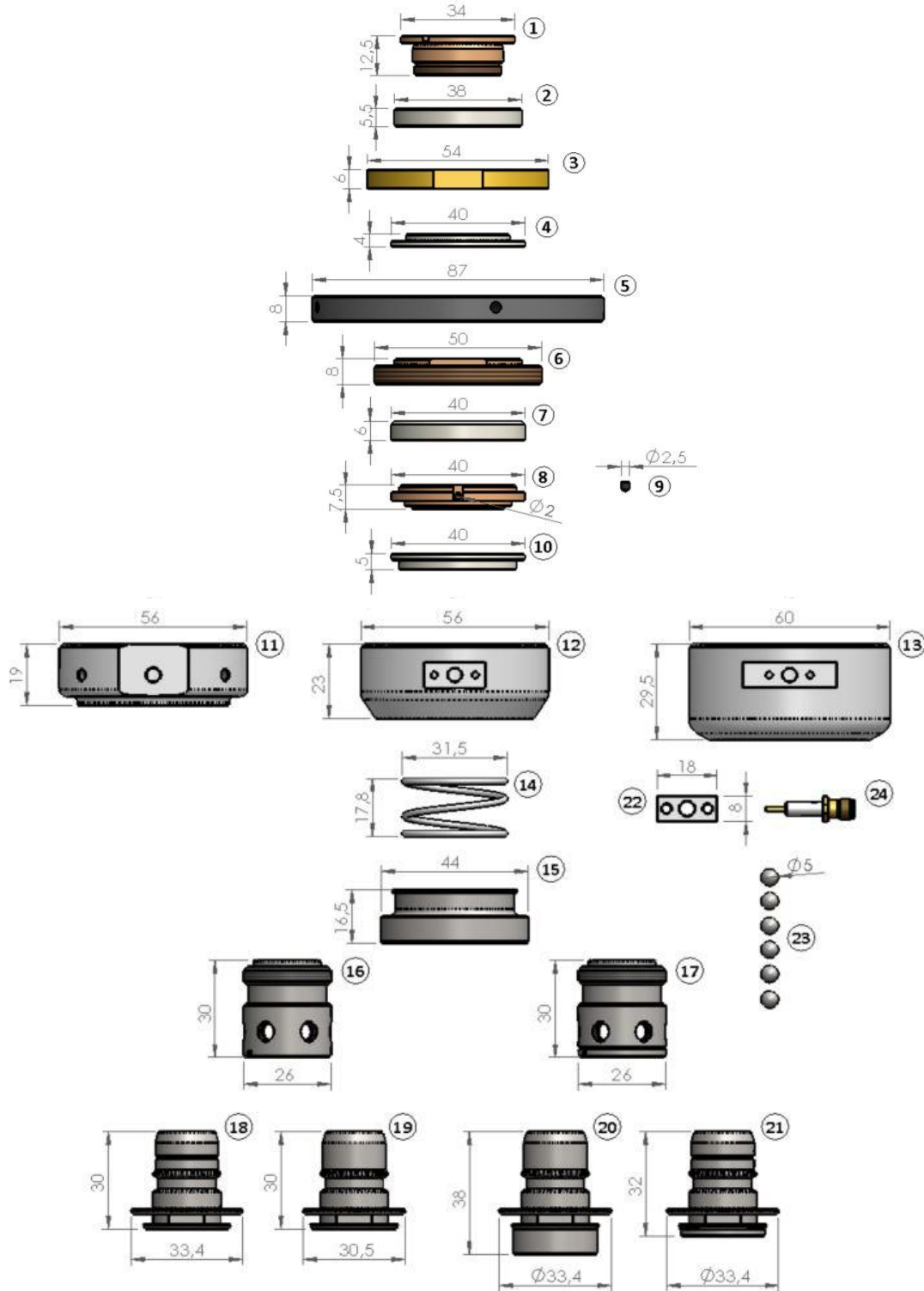


POS	LS. CODE	ORIGINAL CODE	DESCRIPTION	unit price	5 pack price
1	206001		MAZAK <sup>®</sup> DOUBLE NOZZLE Ø 2.5 - SS		
	206002		MAZAK <sup>®</sup> DOUBLE NOZZLE Ø 3.0 - SS		
	206003		MAZAK <sup>®</sup> DOUBLE NOZZLE Ø 4.0 - SS		
2	206004		MAZAK <sup>®</sup> DOUBLE NOZZLE Ø 6.0 - SS		
3	206005		MAZAK <sup>®</sup> DOUBLE NOZZLE Ø 10.0 - SS		



POS	LS. CODE	ORIGINAL CODE	DESCRIPTION	unit price	5 pack price
1	206001K		MAZAK <sup>®</sup> DOUBLE NOZZLE Ø 2.5 SPECIAL CP - SS		
	206002K		MAZAK <sup>®</sup> DOUBLE NOZZLE Ø 3.0 SPECIAL CP - SS		
	206003K		MAZAK <sup>®</sup> DOUBLE NOZZLE Ø 4.0 SPECIAL CP - SS		
2	206004K		MAZAK <sup>®</sup> DOUBLE NOZZLE Ø 6.0 SPECIAL CP - SS		
3	206005K		MAZAK <sup>®</sup> DOUBLE NOZZLE Ø 10.0 SPECIAL CP - SS		

Replacement parts suitable for MAZAK<sup>®</sup>



---



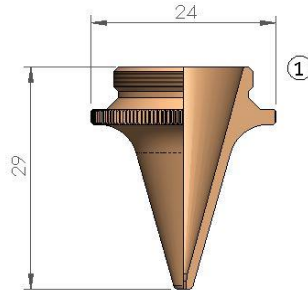
---

**Replacement parts suitable for MAZAK<sup>®</sup>**

POS	LS. CODE	ORIGINAL CODE	DESCRIPTION	unit price	10 pack price
1	209133	46143300280	MAZAK <sup>®</sup> H.G RETAINER NUT		
2	209112	46143300270	MAZAK <sup>®</sup> SPACER PTFE 38x5,5		
	209117	46143300270	MAZAK <sup>®</sup> SPACER CERAMIC 38x5,5		
	209122	46143312100	MAZAK <sup>®</sup> SPACER PPS 38x5,5		
3	209105	46143300320	MAZAK <sup>®</sup> BRASS NUT 56mm		
4	209111	46143300260	MAZAK <sup>®</sup> SPACER PTFE 40x4		
	209116	46143300260	MAZAK <sup>®</sup> SPACER CERAMIC 40x4		
	209121	46143312130	MAZAK <sup>®</sup> SPACER PPS 40x4		
5	209109	36143300332	MAZAK <sup>®</sup> H.G. RING ALUMINUM		
6	209135	46143300280	MAZAK <sup>®</sup> H.G RETAINER NUT M50		
7	209113	46143304440	MAZAK <sup>®</sup> SPACER PTFE 40x6		
	209118	46143304440	MAZAK <sup>®</sup> SPACER CERAMIC 40x6		
	209123	46143312170	MAZAK <sup>®</sup> SPACER PPS 40x6		
8	209134	46143307421	MAZAK <sup>®</sup> H.G. RETAINER NUT		
9	209034	46683301180	MAZAK <sup>®</sup> H.G. SCREW HEX DRIVE		
10	209110	46143300240	MAZAK <sup>®</sup> SPACER PTFE 40x5		
	209115	46143300240	MAZAK <sup>®</sup> SPACER CERAMIC 40x5		
	209120	46143312120	MAZAK <sup>®</sup> SPACER PPS 40x5		
11	209136	36143303242	MAZAK <sup>®</sup> H.G. BODY		
12	209125	36143307980	MAZAK <sup>®</sup> H.G. ALUMINUM BODY		
13	209128	36143310550	MAZAK <sup>®</sup> H.G. ALUMINUM BODY		
14	209127	46143300220	MAZAK <sup>®</sup> H.G. SPRING		
15	209126	46143308000	MAZAK <sup>®</sup> H.G. RETAINER SPRING STEEL		
16	209107	36143304400, 36143304401	MAZAK <sup>®</sup> H.G. COUPLER		
17	209106	36143310530	MAZAK <sup>®</sup> H.G. COUPLER		
18	209101	36143310522	MAZAK <sup>®</sup> H.G. NOZZLE HOLDER LARGE		
19	209103	36143304420	MAZAK <sup>®</sup> H.G. NOZZLE HOLDER		
20	209104	36143310740	MAZAK <sup>®</sup> H.G. NOZZLE HOLDER LONG		
21	209102		MAZAK <sup>®</sup> H.G. NOZZLE HOLDER		
22	209129	46143308170	MAZAK <sup>®</sup> H.G. SPACER FOR CONNECTOR ALUMINUM		
23	209108	46143300230	MAZAK <sup>®</sup> H.G. KIT BALL - 6 PCS		
24	209130	46143308190	MAZAK <sup>®</sup> H.G. CONNECTOR		

---

## Replacement parts suitable for MESSER<sup>®</sup>



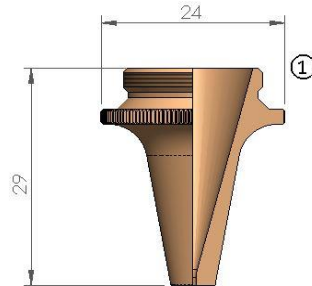
POS	LS. CODE	ORIGINAL CODE	DESCRIPTION	unit price	10 pack price
1	481020		MESSER <sup>®</sup> NOZZLE Ø 0.8		
	481021		MESSER <sup>®</sup> NOZZLE Ø 1.0		
	481022		MESSER <sup>®</sup> NOZZLE Ø 1.2		
	481023		MESSER <sup>®</sup> NOZZLE Ø 1.4		
	481024		MESSER <sup>®</sup> NOZZLE Ø 1.7		
	481025		MESSER <sup>®</sup> NOZZLE Ø 2.0		
	481026		MESSER <sup>®</sup> NOZZLE Ø 2.5		
	481027		MESSER <sup>®</sup> NOZZLE Ø 3.0		

---



---

## Replacement parts suitable for MESSER<sup>®</sup>

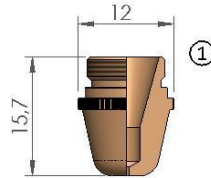


POS	LS. CODE	ORIGINAL CODE	DESCRIPTION	unit price	10 pack price
1	481001		MESSER <sup>®</sup> NOZZLE Ø 0.8		
	481002		MESSER <sup>®</sup> NOZZLE Ø 1.0		
	481003		MESSER <sup>®</sup> NOZZLE Ø 1.2		
	481004		MESSER <sup>®</sup> NOZZLE Ø 1.4		
	481005		MESSER <sup>®</sup> NOZZLE Ø 1.7		
	481006		MESSER <sup>®</sup> NOZZLE Ø 2.0		
	481007		MESSER <sup>®</sup> NOZZLE Ø 2.5		
	481008		MESSER <sup>®</sup> NOZZLE Ø 3.0		
	481009		MESSER <sup>®</sup> NOZZLE Ø 3.5		
	481010		MESSER <sup>®</sup> NOZZLE Ø 4.0		
	481011		MESSER <sup>®</sup> NOZZLE Ø 5.0		

---

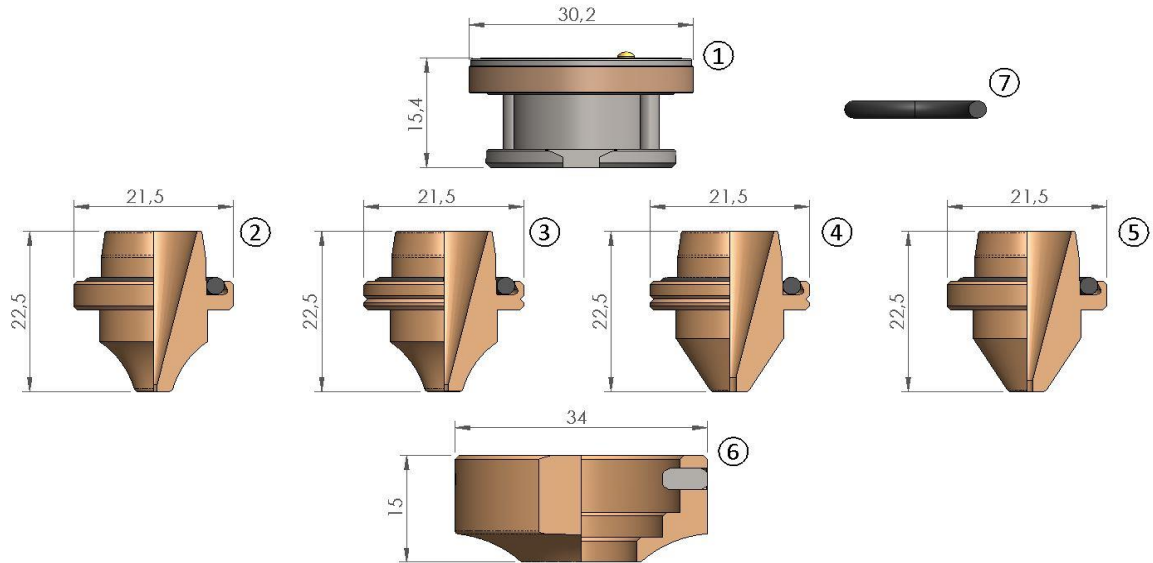


---

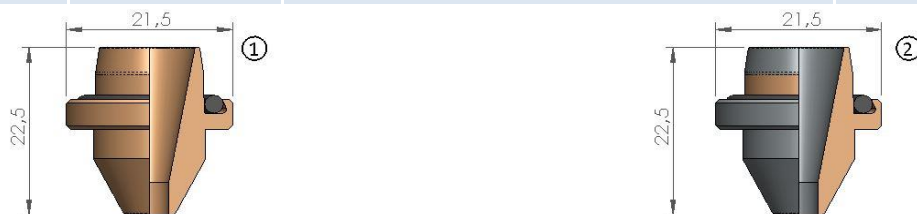
 Replacement parts suitable for MESSER<sup>®</sup>


POS	LS. CODE	ORIGINAL CODE	DESCRIPTION	unit price	10 pack price
1	483001		MESSER G. <sup>®</sup> NOZZLE Ø 0.8		
	483001W		MESSER G. <sup>®</sup> NOZZLE Ø 0.8		
	483002		MESSER G. <sup>®</sup> NOZZLE Ø 1.0		
	483002W		MESSER G. <sup>®</sup> NOZZLE Ø 1.0		
	483003		MESSER G. <sup>®</sup> NOZZLE Ø 1.2		
	483003W		MESSER G. <sup>®</sup> NOZZLE Ø 1.2		
	483004		MESSER G. <sup>®</sup> NOZZLE Ø 1.4		
	483004W		MESSER G. <sup>®</sup> NOZZLE Ø 1.4		
	483005		MESSER G. <sup>®</sup> NOZZLE Ø 1.6		
	483005W		MESSER G. <sup>®</sup> NOZZLE Ø 1.6		
	483006		MESSER G. <sup>®</sup> NOZZLE Ø 1.8		
	483006W		MESSER G. <sup>®</sup> NOZZLE Ø 1.8		
	483007		MESSER G. <sup>®</sup> NOZZLE Ø 2.0		
	483007W		MESSER G. <sup>®</sup> NOZZLE Ø 2.0		
	483008		MESSER G. <sup>®</sup> NOZZLE Ø 2.2		
	483008W		MESSER G. <sup>®</sup> NOZZLE Ø 2.2		
	483009		MESSER G. <sup>®</sup> NOZZLE Ø 2.4		
	483009W		MESSER G. <sup>®</sup> NOZZLE Ø 2.4		
	483010		MESSER G. <sup>®</sup> NOZZLE Ø 3.0		
	483010W		MESSER G. <sup>®</sup> NOZZLE Ø 3.0		

## Replacement parts suitable for MITSUBISHI<sup>®</sup>



POS	LS. CODE	ORIGINAL CODE	DESCRIPTION	unit price	10 pack price
1	309005		MITSUBISHI <sup>®</sup> EX NOZZLE HOLDER STAINLESS STEEL		
2	301101	BQ983D150-H01	MITSUBISHI <sup>®</sup> EX NOZZLE Ø 1.0 with o-ring		
	301103	BQ983D314-H01	MITSUBISHI <sup>®</sup> EX NOZZLE Ø 1.4 with o-ring		
3	301102	BQ983D151-H01	MITSUBISHI <sup>®</sup> EX NOZZLE Ø 1.2 with o-ring		
4	301105	BQ983D152-H01	MITSUBISHI <sup>®</sup> EX NOZZLE Ø 1.7 with o-ring		
5	301104	BQ983D153-H01	MITSUBISHI <sup>®</sup> EX NOZZLE Ø 1.5 with o-ring		
	301106	BQ983D153-H02	MITSUBISHI <sup>®</sup> EX NOZZLE Ø 2.0 with o-ring		
	301107	BQ983D153-H03	MITSUBISHI <sup>®</sup> EX NOZZLE Ø 2.5 with o-ring		
	301108	BQ983D153-H04	MITSUBISHI <sup>®</sup> EX NOZZLE Ø 3.0 with o-ring		
	301109	BQ983D153-H05	MITSUBISHI <sup>®</sup> EX NOZZLE Ø 3.5 with o-ring		
6	301201	BQ980D328G01	MITSUBISHI <sup>®</sup> EX OUTER NOZZLE FOR NOZZLE		
7	309011		MITSUBISHI <sup>®</sup> O RING FOR NOZZLE		

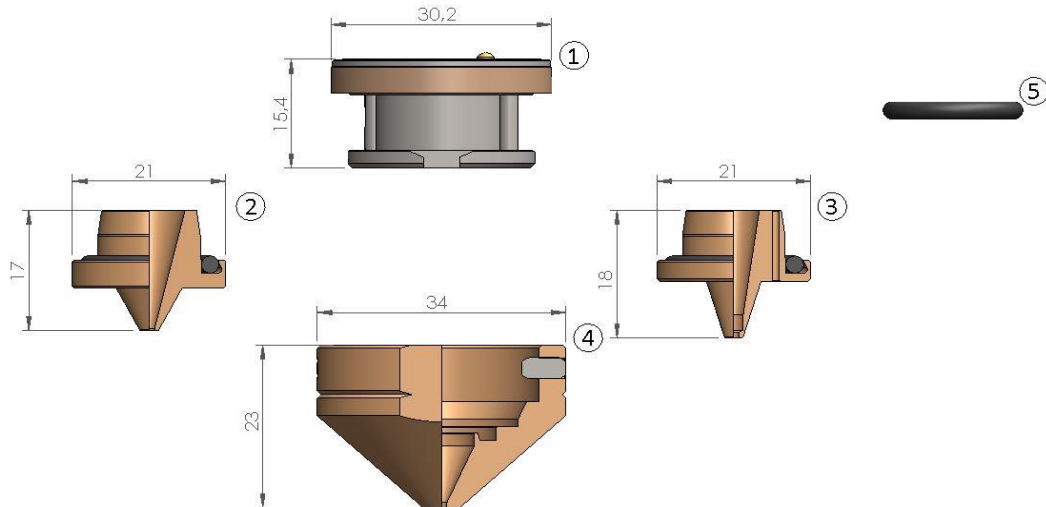


POS	LS. CODE	ORIGINAL CODE	DESCRIPTION	unit price	10 pack price
1	301110		MITSUBISHI <sup>®</sup> EX NOZZLE Ø 4.0 with o-ring		
	301111		MITSUBISHI <sup>®</sup> EX NOZZLE Ø 5.0 with o-ring		
	301112		MITSUBISHI <sup>®</sup> EX NOZZLE Ø 6.0 with o-ring		
2	301110C		MITSUBISHI <sup>®</sup> EX NOZZLE Ø 4.0 with o-ring CP		
	301111C		MITSUBISHI <sup>®</sup> EX NOZZLE Ø 5.0 with o-ring CP		
	301112C		MITSUBISHI <sup>®</sup> EX NOZZLE Ø 6.0 with o-ring CP		

Laser Store srl is not affiliated with the named manufacturers. Reference to machines, parts, descriptions, and model numbers are for convenience in verifying compatibility only. All parts are made by or for Laser Store srl and are not made by the reference manufacturers (unless expressly indicated). All other trademarks are the properties of their respective owners."

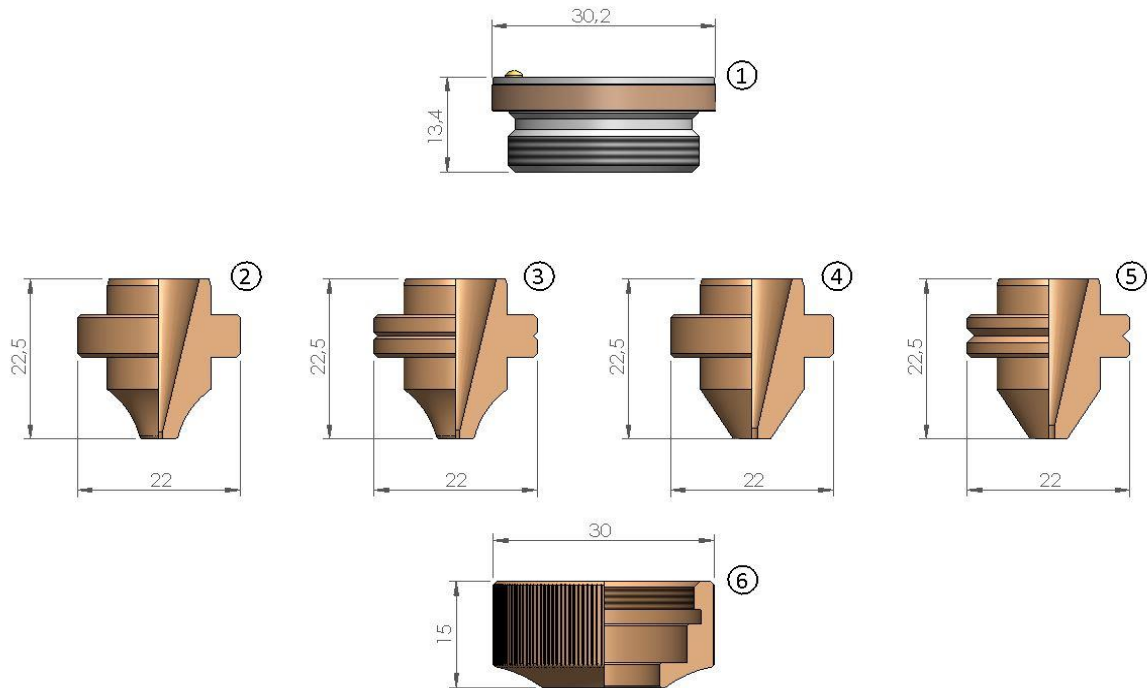


## Replacement parts suitable for MITSUBISHI<sup>®</sup>



POS	LS. CODE	ORIGINAL CODE	DESCRIPTION	unit price	10 pack price
1	309005		MITSUBISHI <sup>®</sup> EX NOZZLE HOLDER STAINLESS STEEL		
2	301001		MITSUBISHI <sup>®</sup> EX INNER NOZZLE $\varnothing$ 1.5-3 holes with o-ring		
	301002		MITSUBISHI <sup>®</sup> EX INNER NOZZLE $\varnothing$ 2.0-3 holes with o-ring		
	301003		MITSUBISHI <sup>®</sup> EX INNER NOZZLE $\varnothing$ 1.5-4 holes with o-ring		
	301004		MITSUBISHI <sup>®</sup> EX INNER NOZZLE $\varnothing$ 2.0-4 holes with o-ring		
	301005		MITSUBISHI <sup>®</sup> EX INNER NOZZLE $\varnothing$ 1.5-6 holes with o-ring		
	301006		MITSUBISHI <sup>®</sup> EX INNER NOZZLE $\varnothing$ 2.0-6 holes with o-ring		
	301008	BQ983D206H03	MITSUBISHI <sup>®</sup> EX INNER NOZZLE $\varnothing$ 1.5 - 8 holes with o-ring		
	301009		MITSUBISHI <sup>®</sup> EX INNER NOZZLE $\varnothing$ 2.0-8 holes with o-ring		
	301010		MITSUBISHI <sup>®</sup> EX INNER NOZZLE $\varnothing$ 2.5-8 holes with o-ring		
	301011	BQ983D206H04	MITSUBISHI <sup>®</sup> EX INNER NOZZLE $\varnothing$ 1.5 - 24 holes with o-ring		
	301012		MITSUBISHI <sup>®</sup> EX INNER NOZZLE $\varnothing$ 2.0-24 holes with o-ring		
301013		MITSUBISHI <sup>®</sup> EX INNER NOZZLE $\varnothing$ 2.5-24 holes with o-ring			
3	301015		MITSUBISHI <sup>®</sup> EX INNER NOZZLE M01 $\varnothing$ 1.5 - 4 holes with o-ring		
	301016		MITSUBISHI <sup>®</sup> EX INNER NOZZLE M01 $\varnothing$ 2.0 - 4 holes with o-ring		
4	301203		MITSUBISHI <sup>®</sup> EX OUTER NOZZLE $\varnothing$ 1,5 WITH INNER WALL		
	301204		MITSUBISHI <sup>®</sup> EX OUTER NOZZLE $\varnothing$ 2,0 WITH INNER WALL		
	301205		MITSUBISHI <sup>®</sup> EX OUTER NOZZLE $\varnothing$ 2.5 WITH INNER WALL		
	301206		MITSUBISHI <sup>®</sup> EX OUTER NOZZLE $\varnothing$ 3,0 WITH INNER WALL		
	301207		MITSUBISHI <sup>®</sup> EX OUTER NOZZLE $\varnothing$ 3.5 WITH INNER WALL		
	301208	BQ980D434G01	MITSUBISHI <sup>®</sup> EX OUTER NOZZLE $\varnothing$ 4.0 WITH INNER WALL		
5	309011		MITSUBISHI <sup>®</sup> O RING FOR NOZZLE		

## Replacement parts suitable for MITSUBISHI<sup>®</sup>



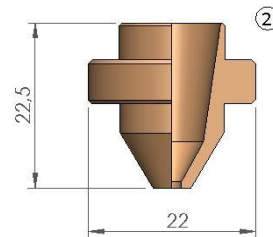
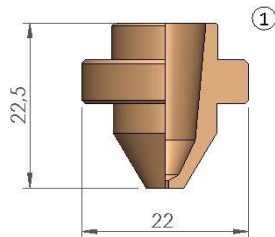
POS	LS. CODE	ORIGINAL CODE	DESCRIPTION	unit price	10 pack price
1	309001	P0594-860-00001 - 71800010	PRECITEC NOZZLE HOLDER IT HP2" MZP/MEL		
2	302201	BQ933D283H01 - 71800016A0	MITSUBISHI <sup>®</sup> NOZZLE S10 Ø 1.0		
	302203		MITSUBISHI <sup>®</sup> NOZZLE S14 Ø 1.4		
3	302202	BQ943D269H01- W18Q93326901- BQ943D157H01 - 71800018	MITSUBISHI <sup>®</sup> NOZZLE S12 Ø 1.2		
4	302204	71800019 - BQ943D157H02	MITSUBISHI <sup>®</sup> NOZZLE S15 Ø 1.5		
	302206		MITSUBISHI <sup>®</sup> NOZZLE S20 Ø 2.0		
	302207		MITSUBISHI <sup>®</sup> NOZZLE S25 Ø 2.5		
	302208		MITSUBISHI <sup>®</sup> NOZZLE S30 Ø 3.0		
	302209		MITSUBISHI <sup>®</sup> NOZZLE S35 Ø 3.5		
	302210		MITSUBISHI <sup>®</sup> NOZZLE S17 Ø 1.7		
5	302205	W18Q93302701	MITSUBISHI <sup>®</sup> NOZZLE S17 Ø 1.7		
6	302301	71800026 - BQ933D94H01	MITSUBISHI <sup>®</sup> NOZZLE NUT		

---

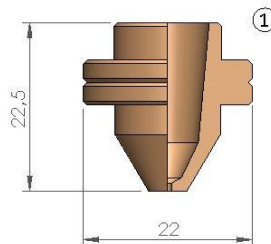


---

## Replacement parts suitable for MITSUBISHI<sup>®</sup>

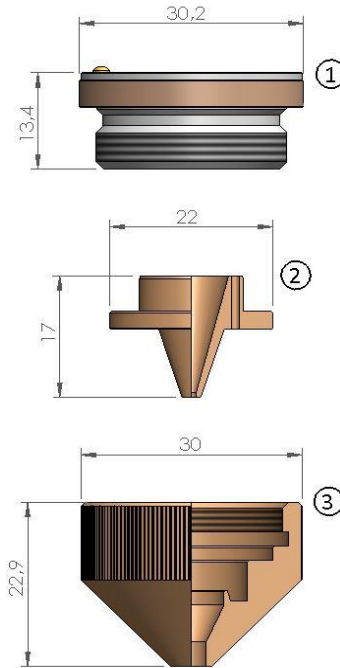


POS	LS. CODE	ORIGINAL CODE	DESCRIPTION	unit price	10 pack price
1	302213	71800016-BQ943D897H01. W18Q94389701	AMADA <sup>®</sup> - MITSUBISHI <sup>®</sup> HV NOZZLE Ø 1.0		
2	302214	W18Q93309101	AMADA <sup>®</sup> - MITSUBISHI <sup>®</sup> HV NOZZLE Ø 2.5		
	302215	W18Q93309102	AMADA <sup>®</sup> - MITSUBISHI <sup>®</sup> HV NOZZLE Ø 3.0		



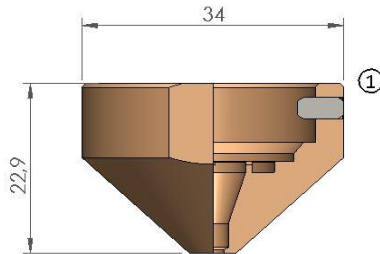
POS	LS. CODE	ORIGINAL CODE	DESCRIPTION	unit price	10 pack price
1	302220		MITSUBISHI <sup>®</sup> NOZZLE Ø 1.0		
	302221		MITSUBISHI <sup>®</sup> NOZZLE Ø 1.2		
	302222		MITSUBISHI <sup>®</sup> NOZZLE Ø 1.5		
	302223		MITSUBISHI <sup>®</sup> NOZZLE Ø 1.7		
	302224		MITSUBISHI <sup>®</sup> NOZZLE Ø 2.0		
	302225		MITSUBISHI <sup>®</sup> NOZZLE Ø 2.5		

## Replacement parts suitable for MITSUBISHI<sup>®</sup>

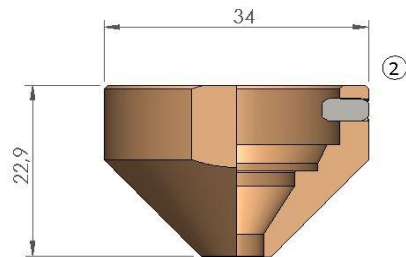
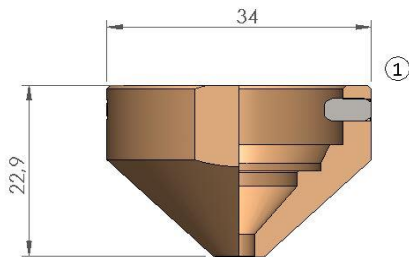


POS	LS. CODE	ORIGINAL CODE	DESCRIPTION	unit price	10 pack price
1	309001	P0594-860-00001 - 71800010	MITSUBISHI <sup>®</sup> NOZZLE HOLDER IT HP2" MZP/MEL		
2	302110	W270	MITSUBISHI <sup>®</sup> INNER NOZZLE Ø 1.3 - 8 HOLES		
	302111	71800023 - BQ943D156H01 - W270-1.5	MITSUBISHI <sup>®</sup> INNER NOZZLE Ø 1.5 - 8 HOLES		
	302112		MITSUBISHI <sup>®</sup> INNER NOZZLE Ø 2.0 - 8 HOLES		
	302121	71800024 - BQ943D156H03 - W515	MITSUBISHI <sup>®</sup> INNER NOZZLE Ø 1.5 - 24 HOLES		
	302122		MITSUBISHI <sup>®</sup> INNER NOZZLE Ø 2.0 - 24 HOLES		
3	302305	71800027-BQ933D221H04- P0593-86000001	MITSUBISHI <sup>®</sup> OUTER NOZZLE WITH INNER WALL		

## Replacement parts suitable for MITSUBISHI<sup>®</sup>

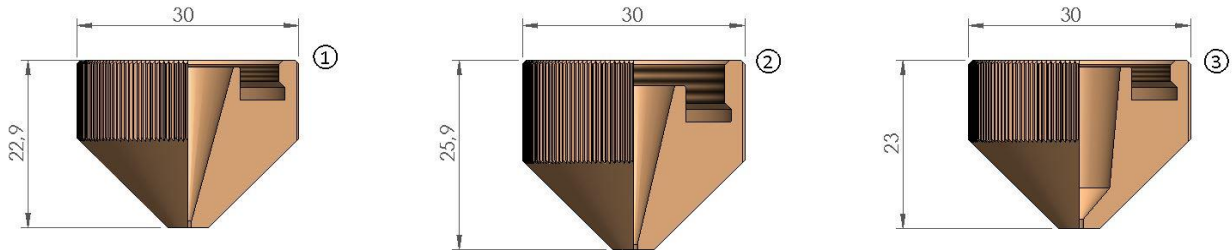


POS	LS. CODE	ORIGINAL CODE	DESCRIPTION	unit price	10 pack price
1	301224		MITSUBISHI <sup>®</sup> EX OUTER NOZZLE Ø 3.0 MM		



POS	LS. CODE	ORIGINAL CODE	DESCRIPTION	unit price	10 pack price
1	301215	BQ980D442G03	MITSUBISHI <sup>®</sup> EX OUTER NOZZLE Ø 4.0 MM		
2	301220	BQ980D442G01	MITSUBISHI <sup>®</sup> EX OUTER NOZZLE Ø 7.0 MM		

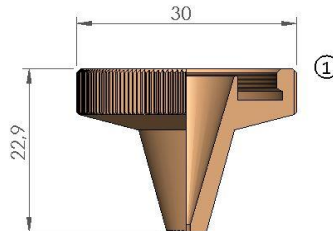
## Replacement parts suitable for MITSUBISHI<sup>®</sup>



POS	LS. CODE	ORIGINAL CODE	DESCRIPTION	unit price	10 pack price	
1	302001	W1626	MITSUBISHI <sup>®</sup> NOZZLE Ø 1.0			
	302002	W1627	MITSUBISHI <sup>®</sup> NOZZLE Ø 1.2			
	302003		MITSUBISHI <sup>®</sup> NOZZLE Ø 1.4			
	302004	W1628	MITSUBISHI <sup>®</sup> NOZZLE Ø 1.5			
	302005	W1661	MITSUBISHI <sup>®</sup> NOZZLE Ø 1.7			
	302006	W1629	MITSUBISHI <sup>®</sup> NOZZLE Ø 2.0			
	302007	W1630	MITSUBISHI <sup>®</sup> NOZZLE Ø 2.5			
	302008	W1664	MITSUBISHI <sup>®</sup> NOZZLE Ø 3.0			
	302009	W1665	MITSUBISHI <sup>®</sup> NOZZLE Ø 3.5			
	302010	W1666	MITSUBISHI <sup>®</sup> NOZZLE Ø 4.0			
	302011	W1662	MITSUBISHI <sup>®</sup> NOZZLE Ø 4.5			
	302012	W1663	MITSUBISHI <sup>®</sup> NOZZLE Ø 5.0			
2	302015	W1249	MITSUBISHI <sup>®</sup> SHIELD NOZZLE Ø 1.0			
	302016	W1256	MITSUBISHI <sup>®</sup> SHIELD NOZZLE Ø 1.2			
	302017	W1250	MITSUBISHI <sup>®</sup> SHIELD NOZZLE Ø 1.5			
	302018	W1251	MITSUBISHI <sup>®</sup> SHIELD NOZZLE Ø 2.0			
	302019	W1252	MITSUBISHI <sup>®</sup> SHIELD NOZZLE Ø 2.5			
	302020	W1253	MITSUBISHI <sup>®</sup> SHIELD NOZZLE Ø 3.0			
	302021	W1254	MITSUBISHI <sup>®</sup> SHIELD NOZZLE Ø 3.5			
	302022	W1255	MITSUBISHI <sup>®</sup> SHIELD NOZZLE Ø 4.0			
	3	302026	W1626B	MITSUBISHI <sup>®</sup> NOZZLE Ø 1.0 LOW PRESSURE		
		302027	W1627B	MITSUBISHI <sup>®</sup> NOZZLE Ø 1.2 LOW PRESSURE		
302028		W1628B	MITSUBISHI <sup>®</sup> NOZZLE Ø 1.5 LOW PRESSURE			
302029		W1629B	MITSUBISHI <sup>®</sup> NOZZLE Ø 2.0 LOW PRESSURE			
302030		W1630B	MITSUBISHI <sup>®</sup> NOZZLE Ø 2.5 LOW PRESSURE			
302031		W1664B	MITSUBISHI <sup>®</sup> NOZZLE Ø 3.0 LOW PRESSURE			
302032		W1665B	MITSUBISHI <sup>®</sup> NOZZLE Ø 3.5 LOW PRESSURE			
302033		W1666B	MITSUBISHI <sup>®</sup> NOZZLE Ø 4.0 LOW PRESSURE			

---

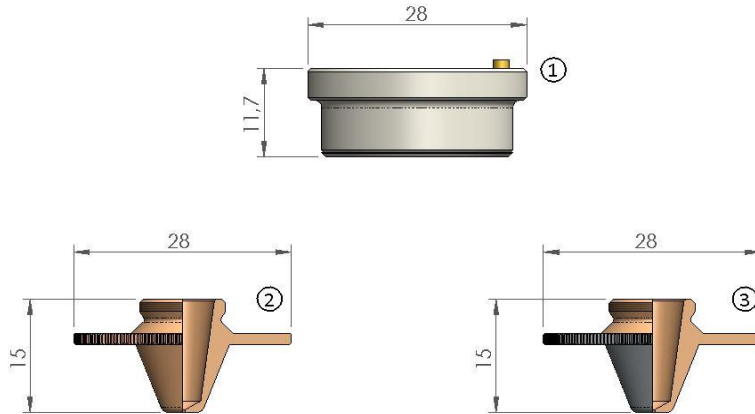
Replacement parts suitable for MITSUBISHI<sup>®</sup>



POS	LS. CODE	ORIGINAL CODE	DESCRIPTION	unit price	10 pack price
1	302040	NCW1626C	MITSUBISHI <sup>®</sup> NOZZLE Ø 1.0 NARROW CONE		
	302041	NCW1627C	MITSUBISHI <sup>®</sup> NOZZLE Ø 1.2 NARROW CONE		
	302042	NCW1629C	MITSUBISHI <sup>®</sup> NOZZLE Ø 2.0 NARROW CONE		
	302043	NCW1630C	MITSUBISHI <sup>®</sup> NOZZLE Ø 2.5 NARROW CONE		

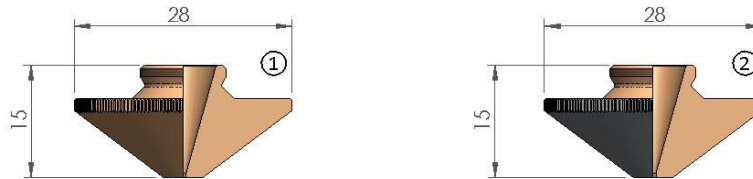


## Replacement parts suitable for PRECITEC<sup>®</sup>



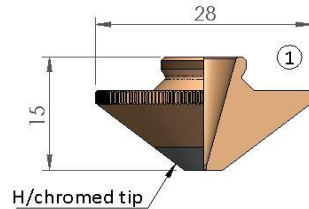
POS	LS. CODE	ORIGINAL CODE	DESCRIPTION	unit price	10 pack price
1	059001	281330, P0571-260-00001, 6930281330	PRECITEC <sup>®</sup> ORIGINAL NOZZLE HOLDER KT B2"		
	059002	P0571-1051-00001, 6930281333	PRECITEC <sup>®</sup> ORIGINAL NOZZLE HOLDER KT B2" CON		
	059003	P0571-1051-00001, 6930281333	PRECITEC <sup>®</sup> NOZZLE HOLDER KT B2" CON		
2	051046W	281590-P0591-569-00008	PRECITEC <sup>®</sup> NOZZLE Ø 0.8		
	051047W	281331-P0591-561-00010	PRECITEC <sup>®</sup> NOZZLE Ø 1.0		
	051048W	281351-P0591-562-00012	PRECITEC <sup>®</sup> NOZZLE Ø 1.2		
	051049W	281352-P0591-563-00015	PRECITEC <sup>®</sup> NOZZLE Ø 1.5		
	051050W		PRECITEC <sup>®</sup> NOZZLE Ø 1.7		
	051051W	281353-P0591-564-00018	PRECITEC <sup>®</sup> NOZZLE Ø 1.8		
	051052W	281354-P591-565-00020	PRECITEC <sup>®</sup> NOZZLE Ø 2.0		
	051053W		PRECITEC <sup>®</sup> NOZZLE Ø 2.3		
	051054W	281591-P0591-566-00025	PRECITEC <sup>®</sup> NOZZLE Ø 2.5		
	051055W		PRECITEC <sup>®</sup> NOZZLE Ø 2.7		
	051056W		PRECITEC <sup>®</sup> NOZZLE Ø 3.0		
3	051046CW	281590-P0591-569-00008	PRECITEC <sup>®</sup> NOZZLE Ø 0.8 CP		
	051047CW	281331-P0591-561-00010	PRECITEC <sup>®</sup> NOZZLE Ø 1.0 CP		
	051048CW	281351-P0591-562-00012	PRECITEC <sup>®</sup> NOZZLE Ø 1.2 CP		
	051049CW	281352-P0591-563-00015	PRECITEC <sup>®</sup> NOZZLE Ø 1.5 CP		
	051050CW		PRECITEC <sup>®</sup> NOZZLE Ø 1.7 CP		
	051051CW	281353-P0591-564-00018	PRECITEC <sup>®</sup> NOZZLE Ø 1.8 CP		
	051052CW	281354-P591-565-00020	PRECITEC <sup>®</sup> NOZZLE Ø 2.0 CP		
	051053CW		PRECITEC <sup>®</sup> NOZZLE Ø 2.3 CP		
	051054CW	281591-P0591-566-00025	PRECITEC <sup>®</sup> NOZZLE Ø 2.5 CP		
	051055CW		PRECITEC <sup>®</sup> NOZZLE Ø 2.7 CP		
051056CW		PRECITEC <sup>®</sup> NOZZLE Ø 3.0 CP			

## Replacement parts suitable for PRECITEC<sup>®</sup>



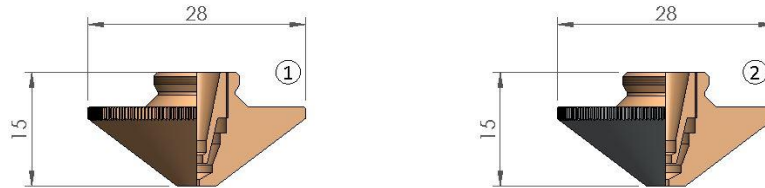
POS	LS. CODE	ORIGINAL CODE	DESCRIPTION	unit price	10 pack price
1	051002W		PRECITEC <sup>®</sup> NOZZLE Ø 0.8 HD		
	051003W	281548-P0591-571-00010	PRECITEC <sup>®</sup> NOZZLE Ø 1.0 HD		
	051004W	281549-P0591-572-00012	PRECITEC <sup>®</sup> NOZZLE Ø 1.2 HD		
	051005W		PRECITEC <sup>®</sup> NOZZLE Ø 1.4 HD		
	051006W	281463-P0591-573-00015	PRECITEC <sup>®</sup> NOZZLE Ø 1.5 HD		
	051007W	P0591-574-00018	PRECITEC <sup>®</sup> NOZZLE Ø 1.8 HD		
	051008W	281550-P0591-575-00020	PRECITEC <sup>®</sup> NOZZLE Ø 2.0 HD		
	051009W		PRECITEC <sup>®</sup> NOZZLE Ø 2.3 HD		
	051010W	281551-P0591-576-00025	PRECITEC <sup>®</sup> NOZZLE Ø 2.5 HD		
	051011W		PRECITEC <sup>®</sup> NOZZLE Ø 2.75 HD		
	051012W		PRECITEC <sup>®</sup> NOZZLE Ø 3.0 HD		
	051013W		PRECITEC <sup>®</sup> NOZZLE Ø 3.2 HD		
	051014W		PRECITEC <sup>®</sup> NOZZLE Ø 3.5 HD		
	051015W		PRECITEC <sup>®</sup> NOZZLE Ø 4.0 HD		
	051016W		PRECITEC <sup>®</sup> NOZZLE Ø 4.5 HD		
	051017W		PRECITEC <sup>®</sup> NOZZLE Ø 5.0 HD		
	2	051002CW		PRECITEC <sup>®</sup> NOZZLE Ø 0.8 HD CP	
051003CW		281548-P0591-571-00010	PRECITEC <sup>®</sup> NOZZLE Ø 1.0 HD CP		
051004CW		281549-P0591-572-00012	PRECITEC <sup>®</sup> NOZZLE Ø 1.2 HD CP		
051005CW			PRECITEC <sup>®</sup> NOZZLE Ø 1.4 HD CP		
051006CW		281463-P0591-573-00015	PRECITEC <sup>®</sup> NOZZLE Ø 1.5 HD CP		
051007CW		P0591-574-00018	PRECITEC <sup>®</sup> NOZZLE Ø 1.8 HD CP		
051008CW		281550-P0591-575-00020	PRECITEC <sup>®</sup> NOZZLE Ø 2.0 HD CP		
051009CW			PRECITEC <sup>®</sup> NOZZLE Ø 2.3 HD CP		
051010CW		281551-P0591-576-00025	PRECITEC <sup>®</sup> NOZZLE Ø 2.5 HD CP		
051011CW			PRECITEC <sup>®</sup> NOZZLE Ø 2.75 HD CP		
051012CW			PRECITEC <sup>®</sup> NOZZLE Ø 3.0 HD CP		
051013CW			PRECITEC <sup>®</sup> NOZZLE Ø 3.2 HD CP		
051014CW			PRECITEC <sup>®</sup> NOZZLE Ø 3.5 HD CP		
051015CW			PRECITEC <sup>®</sup> NOZZLE Ø 4.0 HD CP		
051016CW			PRECITEC <sup>®</sup> NOZZLE Ø 4.5 HD CP		
051017CW			PRECITEC <sup>®</sup> NOZZLE Ø 5.0 HD CP		

## Replacement parts suitable for PRECITEC<sup>®</sup>



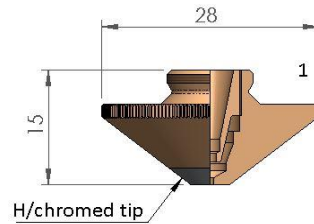
POS	LS. CODE	ORIGINAL CODE	DESCRIPTION	unit price	10 pack price
1	051002CK		PRECITEC <sup>®</sup> NOZZLE Ø 0.8 HD CP		
	051002CKW		PRECITEC <sup>®</sup> NOZZLE Ø 0.8 HD CP		
	051003CK		PRECITEC <sup>®</sup> NOZZLE Ø 1.0 HD CP		
	051003CKW		PRECITEC <sup>®</sup> NOZZLE Ø 1.0 HD CP		
	051004CK		PRECITEC <sup>®</sup> NOZZLE Ø 1.2 HD CP		
	051004CKW		PRECITEC <sup>®</sup> NOZZLE Ø 1.2 HD CP		
	051005CK		PRECITEC <sup>®</sup> NOZZLE Ø 1.4 HD CP		
	051005CKW		PRECITEC <sup>®</sup> NOZZLE Ø 1.4 HD CP		
	051006CK		PRECITEC <sup>®</sup> NOZZLE Ø 1.5 HD CP		
	051006CKW		PRECITEC <sup>®</sup> NOZZLE Ø 1.5 HD CP		
	051007CK		PRECITEC <sup>®</sup> NOZZLE Ø 1.8 HD CP		
	051007CKW		PRECITEC <sup>®</sup> NOZZLE Ø 1.8 HD CP		
	051008CK		PRECITEC <sup>®</sup> NOZZLE Ø 2.0 HD CP		
	051008CKW		PRECITEC <sup>®</sup> NOZZLE Ø 2.0 HD CP		
	051009CK		PRECITEC <sup>®</sup> NOZZLE Ø 2.3 HD CP		
	051009CKW		PRECITEC <sup>®</sup> NOZZLE Ø 2.3 HD CP		
	051010CK		PRECITEC <sup>®</sup> NOZZLE Ø 2.5 HD CP		
	051010CKW		PRECITEC <sup>®</sup> NOZZLE Ø 2.5 HD CP		
	051011CK		PRECITEC <sup>®</sup> NOZZLE Ø 2.75 HD CP		
	051011CKW		PRECITEC <sup>®</sup> NOZZLE Ø 2.75 HD CP		
	051012CK		PRECITEC <sup>®</sup> NOZZLE Ø 3.0 HD CP		
	051012CKW		PRECITEC <sup>®</sup> NOZZLE Ø 3.0 HD CP		
	051013CK		PRECITEC <sup>®</sup> NOZZLE Ø 3.2 HD CP		
	051013CKW		PRECITEC <sup>®</sup> NOZZLE Ø 3.2 HD CP		
	051014CK		PRECITEC <sup>®</sup> NOZZLE Ø 3.5 HD CP		
	051014CKW		PRECITEC <sup>®</sup> NOZZLE Ø 3.5 HD CP		
	051015CK		PRECITEC <sup>®</sup> NOZZLE Ø 4.0 HD CP		
	051015CKW		PRECITEC <sup>®</sup> NOZZLE Ø 4.0 HD CP		
	051016CK		PRECITEC <sup>®</sup> NOZZLE Ø 4.5 HD CP		
	051016CKW		PRECITEC <sup>®</sup> NOZZLE Ø 4.5 HD CP		
	051017CK		PRECITEC <sup>®</sup> NOZZLE Ø 5.0 HD CP		
	051017CKW		PRECITEC <sup>®</sup> NOZZLE Ø 5.0 HD CP		

## Replacement parts suitable for PRECITEC<sup>®</sup>



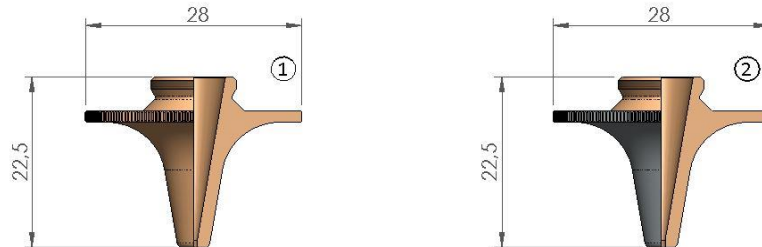
POS	LS. CODE	ORIGINAL CODE	DESCRIPTION	unit price	10 pack price
1	051024W		PRECITEC <sup>®</sup> DOUBLE NOZZLE Ø 0.8		
	051025W	P0591-002-00010	PRECITEC <sup>®</sup> DOUBLE NOZZLE Ø 1.0		
	051026W	P0591-002-00012	PRECITEC <sup>®</sup> DOUBLE NOZZLE Ø 1.2		
	051027W		PRECITEC <sup>®</sup> DOUBLE NOZZLE Ø 1.4		
	051028W	P0591-002-00015	PRECITEC <sup>®</sup> DOUBLE NOZZLE Ø 1.5		
	051029W	P0591-002-00018	PRECITEC <sup>®</sup> DOUBLE NOZZLE Ø 1.8		
	051030W	P0591-002-00020	PRECITEC <sup>®</sup> DOUBLE NOZZLE Ø 2.0		
	051031W	P0591-002-00023	PRECITEC <sup>®</sup> DOUBLE NOZZLE Ø 2.3		
	051032W	P0591-002-00025	PRECITEC <sup>®</sup> DOUBLE NOZZLE Ø 2.5		
	051038W		PRECITEC <sup>®</sup> DOUBLE NOZZLE Ø 2.7		
	051033W	P0591-002-00030	PRECITEC <sup>®</sup> DOUBLE NOZZLE Ø 3.0		
	051034W	P0591-002-00035	PRECITEC <sup>®</sup> DOUBLE NOZZLE Ø 3.5		
	051035W	P0591-002-00040	PRECITEC <sup>®</sup> DOUBLE NOZZLE Ø 4.0		
	051036W		PRECITEC <sup>®</sup> DOUBLE NOZZLE Ø 4.5		
	051037W		PRECITEC <sup>®</sup> DOUBLE NOZZLE Ø 5.0		
2	051024CW		PRECITEC <sup>®</sup> DOUBLE NOZZLE Ø 0.8 CP		
	051025CW		PRECITEC <sup>®</sup> DOUBLE NOZZLE Ø 1.0 CP		
	051026CW		PRECITEC <sup>®</sup> DOUBLE NOZZLE Ø 1.2 CP		
	051027CW		PRECITEC <sup>®</sup> DOUBLE NOZZLE Ø 1.4 CP		
	051028CW		PRECITEC <sup>®</sup> DOUBLE NOZZLE Ø 1.5 CP		
	051029CW		PRECITEC <sup>®</sup> DOUBLE NOZZLE Ø 1.8 CP		
	051030CW		PRECITEC <sup>®</sup> DOUBLE NOZZLE Ø 2.0 CP		
	051031CW		PRECITEC <sup>®</sup> DOUBLE NOZZLE Ø 2.3 CP		
	051032CW		PRECITEC <sup>®</sup> DOUBLE NOZZLE Ø 2.5 CP		
	051038CW		PRECITEC <sup>®</sup> DOUBLE NOZZLE Ø 2.7 CP		
	051033CW		PRECITEC <sup>®</sup> DOUBLE NOZZLE Ø 3.0 CP		
	051034CW		PRECITEC <sup>®</sup> DOUBLE NOZZLE Ø 3.5 CP		
	051035CW		PRECITEC <sup>®</sup> DOUBLE NOZZLE Ø 4.0 CP		
	051036CW		PRECITEC <sup>®</sup> DOUBLE NOZZLE Ø 4.5 CP		
	051037CW		PRECITEC <sup>®</sup> DOUBLE NOZZLE Ø 5.0 CP		

## Replacement parts suitable for PRECITEC<sup>®</sup>

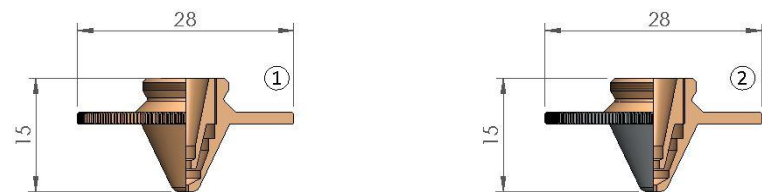


POS	LS. CODE	ORIGINAL CODE	DESCRIPTION	unit price	10 pack price
1	051024CK		PRECITEC <sup>®</sup> DOUBLE NOZZLE Ø 0.8 CP		
	051024CKW		PRECITEC <sup>®</sup> DOUBLE NOZZLE Ø 0.8 CP		
	051025CK		PRECITEC <sup>®</sup> DOUBLE NOZZLE Ø 1.0 CP		
	051025CKW		PRECITEC <sup>®</sup> DOUBLE NOZZLE Ø 1.0 CP		
	051026CK		PRECITEC <sup>®</sup> DOUBLE NOZZLE Ø 1.2 CP		
	051026CKW		PRECITEC <sup>®</sup> DOUBLE NOZZLE Ø 1.2 CP		
	051027CK		PRECITEC <sup>®</sup> DOUBLE NOZZLE Ø 1.4 CP		
	051027CKW		PRECITEC <sup>®</sup> DOUBLE NOZZLE Ø 1.4 CP		
	051028CK		PRECITEC <sup>®</sup> DOUBLE NOZZLE Ø 1.5 CP		
	051028CKW		PRECITEC <sup>®</sup> DOUBLE NOZZLE Ø 1.5 CP		
	051029CK		PRECITEC <sup>®</sup> DOUBLE NOZZLE Ø 1.8 CP		
	051029CKW		PRECITEC <sup>®</sup> DOUBLE NOZZLE Ø 1.8 CP		
	051030CK		PRECITEC <sup>®</sup> DOUBLE NOZZLE Ø 2.0 CP		
	051030CKW		PRECITEC <sup>®</sup> DOUBLE NOZZLE Ø 2.0 CP		
	051031CK		PRECITEC <sup>®</sup> DOUBLE NOZZLE Ø 2.3 CP		
	051031CKW		PRECITEC <sup>®</sup> DOUBLE NOZZLE Ø 2.3 CP		
	051032CK		PRECITEC <sup>®</sup> DOUBLE NOZZLE Ø 2.5 CP		
	051032CKW		PRECITEC <sup>®</sup> DOUBLE NOZZLE Ø 2.5 CP		
	051038CK		PRECITEC <sup>®</sup> DOUBLE NOZZLE Ø 2.7 CP		
	051038CKW		PRECITEC <sup>®</sup> DOUBLE NOZZLE Ø 2.7 CP		
	051033CK		PRECITEC <sup>®</sup> DOUBLE NOZZLE Ø 3.0 CP		
	051033CKW		PRECITEC <sup>®</sup> DOUBLE NOZZLE Ø 3.0 CP		
	051034CK		PRECITEC <sup>®</sup> DOUBLE NOZZLE Ø 3.5 CP		
	051034CKW		PRECITEC <sup>®</sup> DOUBLE NOZZLE Ø 3.5 CP		
	051035CK		PRECITEC <sup>®</sup> DOUBLE NOZZLE Ø 4.0 CP		
	051035CKW		PRECITEC <sup>®</sup> DOUBLE NOZZLE Ø 4.0 CP		
	051036CK		PRECITEC <sup>®</sup> DOUBLE NOZZLE Ø 4.5 CP		
	051036CKW		PRECITEC <sup>®</sup> DOUBLE NOZZLE Ø 4.5 CP		
	051037CK		PRECITEC <sup>®</sup> DOUBLE NOZZLE Ø 5.0 CP		
	051037CKW		PRECITEC <sup>®</sup> DOUBLE NOZZLE Ø 5.0 CP		

## Replacement parts suitable for PRECITEC<sup>®</sup>



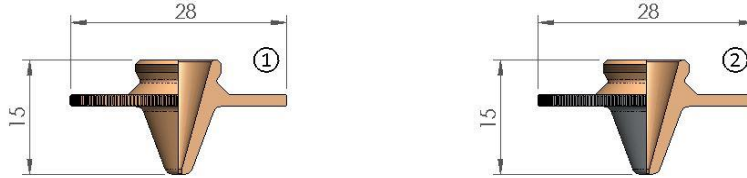
POS	LS. CODE	ORIGINAL CODE	DESCRIPTION	unit price	10 pack price
1	053002	P0578-0411-00010	PRECITEC <sup>®</sup> NOZZLE RADIUS LONG Ø 1.0		
	053003	P0578-0412-00012	PRECITEC <sup>®</sup> NOZZLE RADIUS LONG Ø 1.2		
	053004	P0578-0413-00015 /	PRECITEC <sup>®</sup> NOZZLE RADIUS LONG Ø 1.5		
	053005	P0578-0414-00018	PRECITEC <sup>®</sup> NOZZLE RADIUS LONG Ø 1.8		
	053006	P0578-0415-00020 / 6930300040	PRECITEC <sup>®</sup> NOZZLE RADIUS LONG Ø 2.0		
	053007	P0578-0417-00025	PRECITEC <sup>®</sup> NOZZLE RADIUS LONG Ø 2.5		
	2	053002C		PRECITEC <sup>®</sup> NOZZLE RADIUS LONG Ø 1.0 CP	
053003C			PRECITEC <sup>®</sup> NOZZLE RADIUS LONG Ø 1.2 CP		
053004C			PRECITEC <sup>®</sup> NOZZLE RADIUS LONG Ø 1.5 CP		
053005C			PRECITEC <sup>®</sup> NOZZLE RADIUS LONG Ø 1.8 CP		
053006C			PRECITEC <sup>®</sup> NOZZLE RADIUS LONG Ø 2.0 CP		
053007C			PRECITEC <sup>®</sup> NOZZLE RADIUS LONG Ø 2.5 CP		



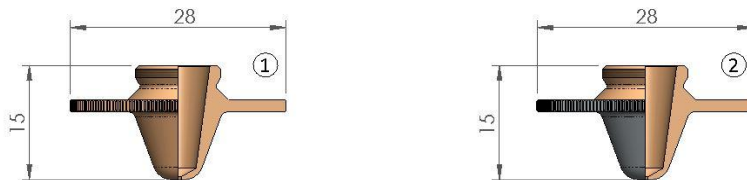
POS	LS. CODE	ORIGINAL CODE	DESCRIPTION	unit price	10 pack price
1	051060W	6930250001	PRECITEC <sup>®</sup> DOUBLE NOZZLE Ø 0.8		
	051061W	6930250002	PRECITEC <sup>®</sup> DOUBLE NOZZLE Ø 1.0		
	051062W	6930250003	PRECITEC <sup>®</sup> DOUBLE NOZZLE Ø 1.2		
	051063W	6930250004	PRECITEC <sup>®</sup> DOUBLE NOZZLE Ø 1.5		
	051064W		PRECITEC <sup>®</sup> DOUBLE NOZZLE Ø 1.8		
2	051060CW		PRECITEC <sup>®</sup> DOUBLE NOZZLE Ø 0.8 CP		
	051061CW		PRECITEC <sup>®</sup> DOUBLE NOZZLE Ø 1.0 CP		
	051062CW		PRECITEC <sup>®</sup> DOUBLE NOZZLE Ø 1.2 CP		
	051063CW		PRECITEC <sup>®</sup> DOUBLE NOZZLE Ø 1.5 CP		
	051064CW		PRECITEC <sup>®</sup> DOUBLE NOZZLE Ø 1.8 CP		



## Replacement parts suitable for PRECITEC<sup>®</sup>



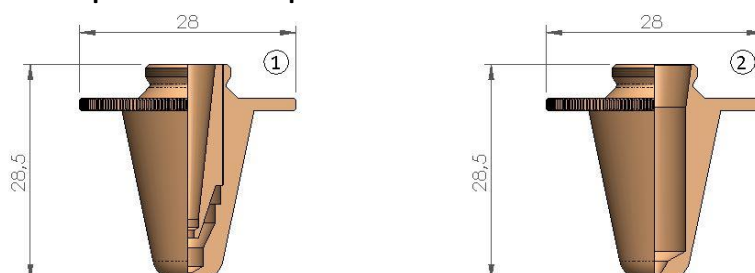
POS	LS. CODE	ORIGINAL CODE	DESCRIPTION	unit price	10 pack price
1	051070W		PRECITEC <sup>®</sup> NOZZLE Ø 0.8		
	051071W		PRECITEC <sup>®</sup> NOZZLE Ø 1.0		
	051072W		PRECITEC <sup>®</sup> NOZZLE Ø 1.2		
	051073W		PRECITEC <sup>®</sup> NOZZLE Ø 1.5		
2	051070CW		PRECITEC <sup>®</sup> NOZZLE Ø 0.8 CP		
	051071CW		PRECITEC <sup>®</sup> NOZZLE Ø 1.0 CP		
	051072CW		PRECITEC <sup>®</sup> NOZZLE Ø 1.2 CP		
	051073CW		PRECITEC <sup>®</sup> NOZZLE Ø 1.5 CP		



POS	LS. CODE	ORIGINAL CODE	DESCRIPTION	unit price	10 pack price
1	051080W		PRECITEC <sup>®</sup> NOZZLE Ø 0.8		
	051081W		PRECITEC <sup>®</sup> NOZZLE Ø 1.0		
	051082W		PRECITEC <sup>®</sup> NOZZLE Ø 1.2		
	051083W	P0591-1049-00015	PRECITEC <sup>®</sup> NOZZLE Ø 1.5		
	051084W	P0591-1050-00018	PRECITEC <sup>®</sup> NOZZLE Ø 1.8		
	051085W		PRECITEC <sup>®</sup> NOZZLE Ø 2.0		
2	051080CW		PRECITEC <sup>®</sup> NOZZLE Ø 0.8 CP		
	051081CW		PRECITEC <sup>®</sup> NOZZLE Ø 1.0 CP		
	051082CW		PRECITEC <sup>®</sup> NOZZLE Ø 1.2 CP		
	051083CW		PRECITEC <sup>®</sup> NOZZLE Ø 1.5 CP		
	051084CW		PRECITEC <sup>®</sup> NOZZLE Ø 1.8 CP		
	051085CW		PRECITEC <sup>®</sup> NOZZLE Ø 2.0 CP		



## Replacement parts suitable for PRECITEC<sup>®</sup>



POS	LS. CODE	ORIGINAL CODE	DESCRIPTION	unit price	5 pack price
1	053025		PRECITEC <sup>®</sup> DOUBLE NOZZLE Ø 1.0		
	053025V		PRECITEC <sup>®</sup> DOUBLE NOZZLE Ø 1.0		
	053026		PRECITEC <sup>®</sup> DOUBLE NOZZLE Ø 1.2		
	053026V		PRECITEC <sup>®</sup> DOUBLE NOZZLE Ø 1.2		
	053027		PRECITEC <sup>®</sup> DOUBLE NOZZLE Ø 1.5		
	053027V		PRECITEC <sup>®</sup> DOUBLE NOZZLE Ø 1.5		
	053028		PRECITEC <sup>®</sup> DOUBLE NOZZLE Ø 1.8		
	053028V		PRECITEC <sup>®</sup> DOUBLE NOZZLE Ø 1.8		
	053029		PRECITEC <sup>®</sup> DOUBLE NOZZLE Ø 2.0		
	053029V		PRECITEC <sup>®</sup> DOUBLE NOZZLE Ø 2.0		
	053030		PRECITEC <sup>®</sup> DOUBLE NOZZLE Ø 2.3		
	053030V		PRECITEC <sup>®</sup> DOUBLE NOZZLE Ø 2.3		
	053031		PRECITEC <sup>®</sup> DOUBLE NOZZLE Ø 2.5		
	053031V		PRECITEC <sup>®</sup> DOUBLE NOZZLE Ø 2.5		
	053032		PRECITEC <sup>®</sup> DOUBLE NOZZLE Ø 3.0		
	053032V		PRECITEC <sup>®</sup> DOUBLE NOZZLE Ø 3.0		
	053033		PRECITEC <sup>®</sup> DOUBLE NOZZLE Ø 3.5		
	053033V		PRECITEC <sup>®</sup> DOUBLE NOZZLE Ø 3.5		
2	053037	P0573-563-00010	PRECITEC <sup>®</sup> NOZZLE Ø 1.0		
	053037V	P0573-563-00010	PRECITEC <sup>®</sup> NOZZLE Ø 1.0		
	053038		PRECITEC <sup>®</sup> NOZZLE Ø 1.2		
	053038V	P0573-563-00012	PRECITEC <sup>®</sup> NOZZLE Ø 1.2		
	053039	P0573-563-00015	PRECITEC <sup>®</sup> NOZZLE Ø 1.5		
	053039V	P0573-563-00015	PRECITEC <sup>®</sup> NOZZLE Ø 1.5		
	053040		PRECITEC <sup>®</sup> NOZZLE Ø 1.8		
	053040V		PRECITEC <sup>®</sup> NOZZLE Ø 1.8		
	053041	P0573-563-00020	PRECITEC <sup>®</sup> NOZZLE Ø 2.0		
	053041V	P0573-563-00020	PRECITEC <sup>®</sup> NOZZLE Ø 2.0		
	053042	P0573-563-00025	PRECITEC <sup>®</sup> NOZZLE Ø 2.5		
	053042V	P0573-563-00025	PRECITEC <sup>®</sup> NOZZLE Ø 2.5		
	053043		PRECITEC <sup>®</sup> NOZZLE Ø 3.0		
	053043V		PRECITEC <sup>®</sup> NOZZLE Ø 3.0		

## Replacement parts suitable for PRECITEC<sup>®</sup>

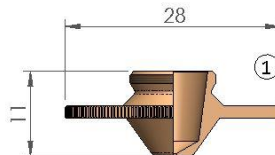


POS	LS. CODE	ORIGINAL CODE	DESCRIPTION	unit price	10 pack price
1	052020W		PRECITEC <sup>®</sup> NOZZLE Ø 1.0 HD		
	052021W		PRECITEC <sup>®</sup> NOZZLE Ø 1.2 HD		
	052022W		PRECITEC <sup>®</sup> NOZZLE Ø 1.5 HD		
	052023W		PRECITEC <sup>®</sup> NOZZLE Ø 2.0 HD		
	052024W		PRECITEC <sup>®</sup> NOZZLE Ø 2.5 HD		
	052025W		PRECITEC <sup>®</sup> NOZZLE Ø 3.0 HD		
	052026W		PRECITEC <sup>®</sup> NOZZLE Ø 3.5 HD		
	052027W		PRECITEC <sup>®</sup> NOZZLE Ø 4.0 HD		
	052028W		PRECITEC <sup>®</sup> NOZZLE Ø 4.5 HD		
	052029W		PRECITEC <sup>®</sup> NOZZLE Ø 5.0 HD		
2	052020CW		PRECITEC <sup>®</sup> NOZZLE Ø 1.0 HD CP		
	052021CW		PRECITEC <sup>®</sup> NOZZLE Ø 1.2 HD CP		
	052022CW		PRECITEC <sup>®</sup> NOZZLE Ø 1.5 HD CP		
	052023CW		PRECITEC <sup>®</sup> NOZZLE Ø 2.0 HD CP		
	052024CW		PRECITEC <sup>®</sup> NOZZLE Ø 2.5 HD CP		
	052025CW		PRECITEC <sup>®</sup> NOZZLE Ø 3.0 HD CP		
	052026CW		PRECITEC <sup>®</sup> NOZZLE Ø 3.5 HD CP		
	052027CW		PRECITEC <sup>®</sup> NOZZLE Ø 4.0 HD CP		
	052028CW		PRECITEC <sup>®</sup> NOZZLE Ø 4.5 HD CP		
	052029CW		PRECITEC <sup>®</sup> NOZZLE Ø 5.0 HD CP		

## Replacement parts suitable for PRECITEC<sup>®</sup>

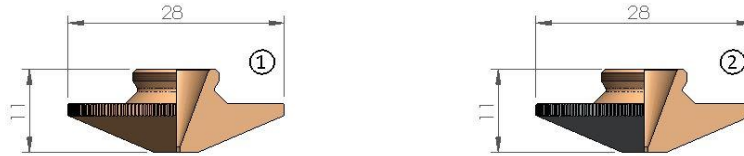


POS	LS. CODE	ORIGINAL CODE	DESCRIPTION	unit price	10 pack price
1	052014W		PRECITEC <sup>®</sup> NOZZLE Ø 1.5 HD		
	052015W		PRECITEC <sup>®</sup> NOZZLE Ø 2.0 HD		
	052016W		PRECITEC <sup>®</sup> NOZZLE Ø 2.5 HD		
2	052014CW		PRECITEC <sup>®</sup> NOZZLE Ø 1.5 HD CP		
	052015CW		PRECITEC <sup>®</sup> NOZZLE Ø 2.0 HD CP		
	052016CW		PRECITEC <sup>®</sup> NOZZLE Ø 2.5 HD CP		



POS	LS. CODE	ORIGINAL CODE	DESCRIPTION	unit price	10 pack price
1	052032W	281340/P0571-281-00010	PRECITEC <sup>®</sup> NOZZLE Ø 1.0		
	052033W	281341/P0571-282-00012	PRECITEC <sup>®</sup> NOZZLE Ø 1.2		
	052034W	281342/P0571-283-00015	PRECITEC <sup>®</sup> NOZZLE Ø 1.5		
	052035W	281342/P0571-284-00018	PRECITEC <sup>®</sup> NOZZLE Ø 1.8		
	052036W	281343/P0571-285-00020	PRECITEC <sup>®</sup> NOZZLE Ø 2.0		
	052037W	281344/P0571-286-00025	PRECITEC <sup>®</sup> NOZZLE Ø 2.5		

## Replacement parts suitable for PRECITEC<sup>®</sup>



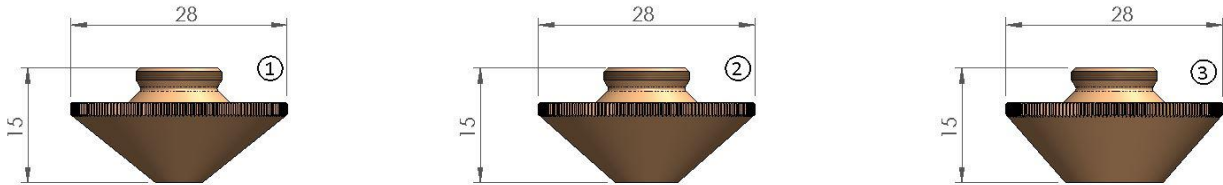
POS	LS. CODE	ORIGINAL CODE	DESCRIPTION	unit price	10 pack price
1	052040W	281559/P0571-291-00010	PRECITEC <sup>®</sup> NOZZLE Ø 1.0		
	052041W	P0571-292-00012	PRECITEC <sup>®</sup> NOZZLE Ø 1.2		
	052042W	281570/P0571-293-00015	PRECITEC <sup>®</sup> NOZZLE Ø 1.5		
	052043W		PRECITEC <sup>®</sup> NOZZLE Ø 1.8		
	052044W	281571/P0571-295-00020	PRECITEC <sup>®</sup> NOZZLE Ø 2.0		
	052045W	281572/P0571-297-00025	PRECITEC <sup>®</sup> NOZZLE Ø 2.5		
	052046W	281572/P0571-297-00025	PRECITEC <sup>®</sup> NOZZLE Ø 3.0		
2	052040CW		PRECITEC <sup>®</sup> NOZZLE Ø 1.0 CP		
	052041CW		PRECITEC <sup>®</sup> NOZZLE Ø 1.2 CP		
	052042CW		PRECITEC <sup>®</sup> NOZZLE Ø 1.5 CP		
	052043CW		PRECITEC <sup>®</sup> NOZZLE Ø 1.8 CP		
	052044CW		PRECITEC <sup>®</sup> NOZZLE Ø 2.0 CP		
	052045CW		PRECITEC <sup>®</sup> NOZZLE Ø 2.5 CP		
	052046CW		PRECITEC <sup>®</sup> NOZZLE Ø 3.0 CP		

## Replacement parts suitable for PRECITEC<sup>®</sup>

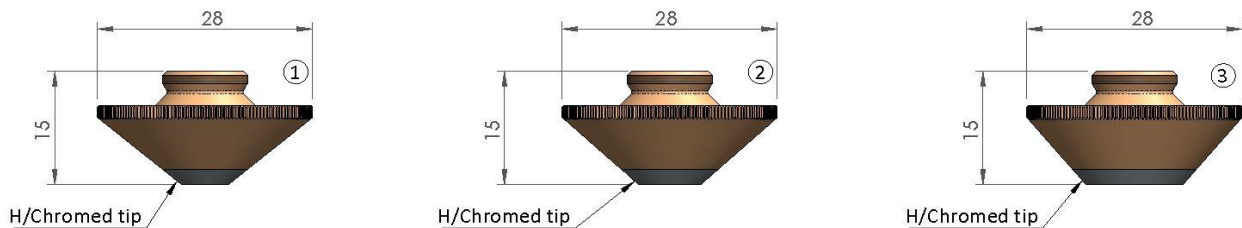


POS	LS. CODE	ORIGINAL CODE	DESCRIPTION	unit price	10 pack price
1	052002W		PRECITEC <sup>®</sup> DOUBLE NOZZLE Ø 1.0		
	052003W		PRECITEC <sup>®</sup> DOUBLE NOZZLE Ø 1.2		
	052004W		PRECITEC <sup>®</sup> DOUBLE NOZZLE Ø 1.4		
	052005W		PRECITEC <sup>®</sup> DOUBLE NOZZLE Ø 1.5		
	052006W		PRECITEC <sup>®</sup> DOUBLE NOZZLE Ø 1.8		
	052007W		PRECITEC <sup>®</sup> DOUBLE NOZZLE Ø 2.0		
	052008W		PRECITEC <sup>®</sup> DOUBLE NOZZLE Ø 2.5		
	052009W		PRECITEC <sup>®</sup> DOUBLE NOZZLE Ø 3.0		
	052010W		PRECITEC <sup>®</sup> DOUBLE NOZZLE Ø 3.5		
	2	052002CW		PRECITEC <sup>®</sup> DOUBLE NOZZLE Ø 1.0 CP	
052003CW			PRECITEC <sup>®</sup> DOUBLE NOZZLE Ø 1.2 CP		
052004CW			PRECITEC <sup>®</sup> DOUBLE NOZZLE Ø 1.4 CP		
052005CW			PRECITEC <sup>®</sup> DOUBLE NOZZLE Ø 1.5 CP		
052006CW			PRECITEC <sup>®</sup> DOUBLE NOZZLE Ø 1.8 CP		
052007CW			PRECITEC <sup>®</sup> DOUBLE NOZZLE Ø 2.0 CP		
052008CW			PRECITEC <sup>®</sup> DOUBLE NOZZLE Ø 2.5 CP		
052009CW			PRECITEC <sup>®</sup> DOUBLE NOZZLE Ø 3.0 CP		
052010CW			PRECITEC <sup>®</sup> DOUBLE NOZZLE Ø 3.5 CP		

## Replacement parts suitable for PRECITEC<sup>®</sup>

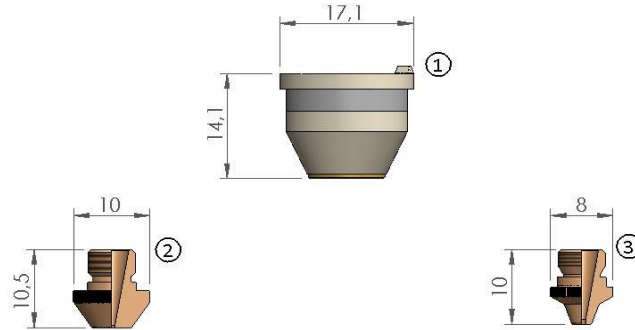


POS	LS. CODE	ORIGINAL CODE	DESCRIPTION	unit price	10 pack price
1	056001		PRECITEC <sup>®</sup> DOUBLE NOZZLE Ø 2.5 - SS		
	056002		PRECITEC <sup>®</sup> DOUBLE NOZZLE Ø 3.0 - SS		
	056003		PRECITEC <sup>®</sup> DOUBLE NOZZLE Ø 4.0 - SS		
2	056004		PRECITEC <sup>®</sup> DOUBLE NOZZLE Ø 6.0 - SS		
3	056005		PRECITEC <sup>®</sup> DOUBLE NOZZLE Ø 10.0 - SS		

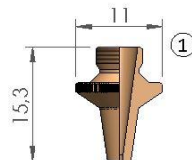


POS	LS. CODE	ORIGINAL CODE	DESCRIPTION	unit price	10 pack price
1	056001CK		PRECITEC <sup>®</sup> DOUBLE NOZZLE Ø 2.5 CP - SS		
	056002CK		PRECITEC <sup>®</sup> DOUBLE NOZZLE Ø 3.0 CP - SS		
	056003CK		PRECITEC <sup>®</sup> DOUBLE NOZZLE Ø 4.0 CP - SS		
2	056004CK		PRECITEC <sup>®</sup> DOUBLE NOZZLE Ø 6.0 CP - SS		
3	056005CK		PRECITEC <sup>®</sup> DOUBLE NOZZLE Ø 10.0 CP - SS		

## Replacement parts suitable for PRECITEC<sup>®</sup>



POS	LS. CODE	ORIGINAL CODE	DESCRIPTION	unit price	10 pack price
1	059010	280408	PRECITEC <sup>®</sup> ORIGINAL NOZZLE HOLDER KT M1,5" KN		
2	054002W		PRECITEC <sup>®</sup> NOZZLE Ø 0.8		
	054003W	280551-P0494-853-00010	PRECITEC <sup>®</sup> NOZZLE Ø 1.0		
	054004W	280552-P0494-854-00012	PRECITEC <sup>®</sup> NOZZLE Ø 1.2		
	054005W	280553-P0494-855-00015	PRECITEC <sup>®</sup> NOZZLE Ø 1.5		
	054006W	280554-P0494-856-00017	PRECITEC <sup>®</sup> NOZZLE Ø 1.7		
	054007W	280555-P0494-857-00020	PRECITEC <sup>®</sup> NOZZLE Ø 2.0		
	054008W		PRECITEC <sup>®</sup> NOZZLE Ø 2.3		
	054009W		PRECITEC <sup>®</sup> NOZZLE Ø 2.5		
	054010W		PRECITEC <sup>®</sup> NOZZLE Ø 3.0		
	054011W		PRECITEC <sup>®</sup> NOZZLE Ø 4.0		
3	054016W	280943-P0494-787-00010	PRECITEC <sup>®</sup> NOZZLE Ø 1.0		
	054017W	280942-P0494-788-00012	PRECITEC <sup>®</sup> NOZZLE Ø 1.2		
	054018W	280941-P0494-789-00015	PRECITEC <sup>®</sup> NOZZLE Ø 1.5		
	054019W		PRECITEC <sup>®</sup> NOZZLE Ø 1.8		
	054020W		PRECITEC <sup>®</sup> NOZZLE Ø 2.0		

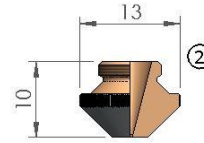
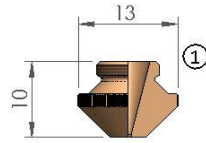


POS	LS. CODE	ORIGINAL CODE	DESCRIPTION	unit price	10 pack price
1	054025W		PRECITEC <sup>®</sup> NOZZLE Ø 1.0		
	054026W	P0787-482-00012	PRECITEC <sup>®</sup> NOZZLE Ø 1.2		
	054027W	P0787-483-00015	PRECITEC <sup>®</sup> NOZZLE Ø 1.5		
	054028W		PRECITEC <sup>®</sup> NOZZLE Ø 1.7		
	054029W	P0787-1001-00020	PRECITEC <sup>®</sup> NOZZLE Ø 2.0		
	054030W		PRECITEC <sup>®</sup> NOZZLE Ø 2.5		

Laser Store srl is not affiliated with the named manufacturers. Reference to machines, parts, descriptions, and model numbers are for convenience in verifying compatibility only. All parts are made by or for Laser Store srl and are not made by the reference manufacturers (unless expressly indicated). All other trademarks are the properties of their respective owners."

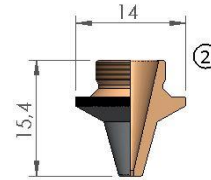
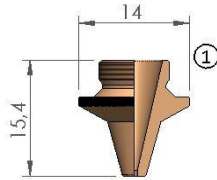


## Replacement parts suitable for PRECITEC<sup>®</sup>



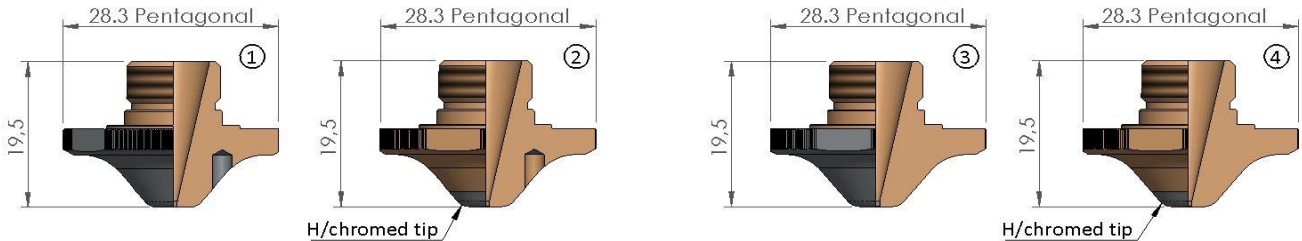
POS	LS. CODE	ORIGINAL CODE	DESCRIPTION	unit price	10 pack price
1	055020W	280013, P0492-441-00008, W222	PRECITEC <sup>®</sup> NOZZLE Ø 0.8		
	055021W	280014, P0492-442-00010, W223	PRECITEC <sup>®</sup> NOZZLE Ø 1.0		
	055022W	280015, P0492-443-00012, W228	PRECITEC <sup>®</sup> NOZZLE Ø 1.2		
	055023W	280016, P0492-444-00015, W224	PRECITEC <sup>®</sup> NOZZLE Ø 1.5		
	055024W	P0492-447-00018	PRECITEC <sup>®</sup> NOZZLE Ø 1.8		
	055025W	280937, P0492-445-00020, W225	PRECITEC <sup>®</sup> NOZZLE Ø 2.0		
	055026W	P0492-448-00023	PRECITEC <sup>®</sup> NOZZLE Ø 2.3		
	055027W	281791, P0492-446-00025, W226	PRECITEC <sup>®</sup> NOZZLE Ø 2,5		
	055028W		PRECITEC <sup>®</sup> NOZZLE Ø 3.0		
2	055020CW	280013, P0492-441-00008, W222	PRECITEC <sup>®</sup> NOZZLE Ø 0.8 CP		
	055021CW	280014, P0492-442-00010, W223	PRECITEC <sup>®</sup> NOZZLE Ø 1.0 CP		
	055022CW	280015, P0492-443-00012, W228	PRECITEC <sup>®</sup> NOZZLE Ø 1.2 CP		
	055023CW	280016, P0492-444-00015, W224	PRECITEC <sup>®</sup> NOZZLE Ø 1.5 CP		
	055024CW	P0492-447-00018	PRECITEC <sup>®</sup> NOZZLE Ø 1.8 CP		
	055025CW	280937, P0492-445-00020, W225	PRECITEC <sup>®</sup> NOZZLE Ø 2.0 CP		
	055026CW	P0492-448-00023	PRECITEC <sup>®</sup> NOZZLE Ø 2.3 CP		
	055027CW	281791, P0492-446-00025, W226	PRECITEC <sup>®</sup> NOZZLE Ø 2,5 CP		
	055028CW		PRECITEC <sup>®</sup> NOZZLE Ø 3.0 CP		

## Replacement parts suitable for PRECITEC<sup>®</sup>



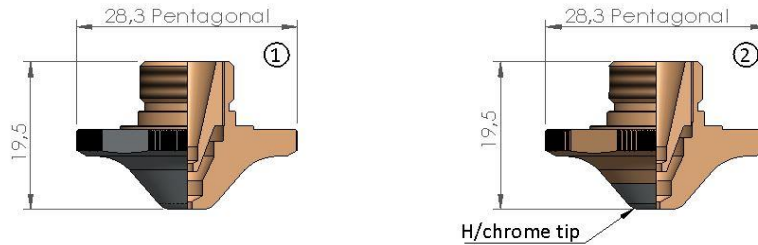
POS	LS. CODE	ORIGINAL CODE	DESCRIPTION	unit price	10 pack price
1	055014W	281813, P0589-424-00008	PRECITEC <sup>®</sup> NOZZLE Ø 0.8		
	055015W	281789, P0589-426-00010	PRECITEC <sup>®</sup> NOZZLE Ø 1.0		
	055016W	281561, 778550	PRECITEC <sup>®</sup> NOZZLE Ø 1.2		
	055017W	281814, 149957	PRECITEC <sup>®</sup> NOZZLE Ø 1.5		
	055018W	P0589-428-00020	PRECITEC <sup>®</sup> NOZZLE Ø 2.0		
2	055014CW	281813, P0589-424-00008	PRECITEC <sup>®</sup> NOZZLE Ø 0.8 CP		
	055015CW	281789, P0589-426-00010	PRECITEC <sup>®</sup> NOZZLE Ø 1.0 CP		
	055016CW	281561, 778550	PRECITEC <sup>®</sup> NOZZLE Ø 1.2 CP		
	055017CW	281814, 149957	PRECITEC <sup>®</sup> NOZZLE Ø 1.5 CP		
	055018CW	P0589-428-00020	PRECITEC <sup>®</sup> NOZZLE Ø 2.0 CP		

## Replacement parts suitable for PRIMA INDUSTRIE<sup>®</sup>

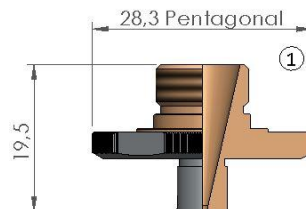


POS	LS. CODE	ORIGINAL CODE	DESCRIPTION	unit price	10 pack price
1	253014C	LW6.1G.660	PRIMA I. <sup>®</sup> NOZZLE PENT Ø 0.8 CP		
	253015C	LW6.1G.661	PRIMA I. <sup>®</sup> NOZZLE PENT Ø 1.0 CP		
	253016C	LW6.1G.662	PRIMA I. <sup>®</sup> NOZZLE PENT Ø 1.25 CP		
	253017C	LW6.1G.663	PRIMA I. <sup>®</sup> NOZZLE PENT Ø 1.5 CP		
	253018C	LW6.1G.664	PRIMA I. <sup>®</sup> NOZZLE PENT Ø 1.75 CP		
	253019C	LW6.1G.665	PRIMA I. <sup>®</sup> NOZZLE PENT Ø 2.0 CP		
	253020C	LW6.1G.667	PRIMA I. <sup>®</sup> NOZZLE PENT Ø 2.5 CP		
	253021C	LW6.1G.669	PRIMA I. <sup>®</sup> NOZZLE PENT Ø 3.0 CP		
	253022C	LW6.1G.670	PRIMA I. <sup>®</sup> NOZZLE PENT Ø 3.5 CP		
	253023C	LW6.1G.666	PRIMA I. <sup>®</sup> NOZZLE PENT Ø 2.25 CP		
	253024C	LW6.1G.668	PRIMA I. <sup>®</sup> NOZZLE PENT Ø 2.75 CP		
	2	253014CK	LW6.1G.660	PRIMA I. <sup>®</sup> NOZZLE PENT Ø 0.8 CP	
253015CK		LW6.1G.661	PRIMA I. <sup>®</sup> NOZZLE PENT Ø 1.0 CP		
253016CK		LW6.1G.662	PRIMA I. <sup>®</sup> NOZZLE PENT Ø 1.25 CP		
253017CK		LW6.1G.663	PRIMA I. <sup>®</sup> NOZZLE PENT Ø 1.5 CP		
253018CK		LW6.1G.664	PRIMA I. <sup>®</sup> NOZZLE PENT Ø 1.75 CP		
253019CK		LW6.1G.665	PRIMA I. <sup>®</sup> NOZZLE PENT Ø 2.0 CP		
253020CK		LW6.1G.667	PRIMA I. <sup>®</sup> NOZZLE PENT Ø 2.5 CP		
253021CK		LW6.1G.669	PRIMA I. <sup>®</sup> NOZZLE PENT Ø 3.0 CP		
253022CK		LW6.1G.670	PRIMA I. <sup>®</sup> NOZZLE PENT Ø 3.5 CP		
253023CK		LW6.1G.666	PRIMA I. <sup>®</sup> NOZZLE PENT Ø 2.25 CP		
253024CK		LW6.1G.668	PRIMA I. <sup>®</sup> NOZZLE PENT Ø 2.75 CP		
3		253025C	LW6.1G.103	PRIMA I. <sup>®</sup> NOZZLE PENT Ø 1.5 CP	
	253026C	LW6.1G.105	PRIMA I. <sup>®</sup> NOZZLE PENT Ø 2.0 CP		
	253027C	LW6.1G.107	PRIMA I. <sup>®</sup> NOZZLE PENT Ø 2.5 CP		
	253028C	LW6.1G.109	PRIMA I. <sup>®</sup> NOZZLE PENT Ø 3.0 CP		
4	253025CK	LW6.1G.103	PRIMA I. <sup>®</sup> NOZZLE PENT Ø 1.5 CP		
	253026CK	LW6.1G.105	PRIMA I. <sup>®</sup> NOZZLE PENT Ø 2.0 CP		
	253027CK	LW6.1G.107	PRIMA I. <sup>®</sup> NOZZLE PENT Ø 2.5 CP		
	253028CK	LW6.1G.109	PRIMA I. <sup>®</sup> NOZZLE PENT Ø 3.0 CP		

## Replacement parts suitable for PRIMA INDUSTRIE<sup>®</sup>

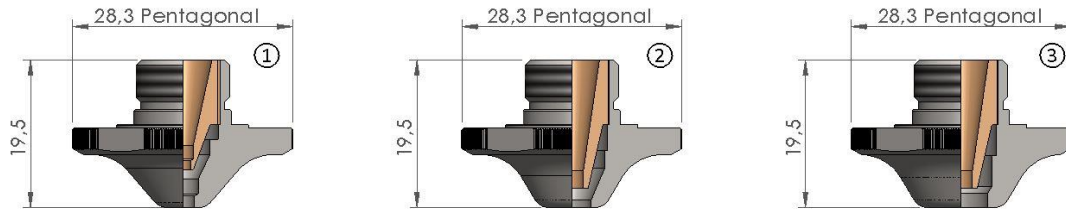


POS	LS. CODE	ORIGINAL CODE	DESCRIPTION	unit price	10 pack price
1	253033C	LW6.1G.302	PRIMA I. <sup>®</sup> DOUBLE NOZZLE PENT Ø 1.25 CP		
	253034C	LW6.1G.303	PRIMA I. <sup>®</sup> DOUBLE NOZZLE PENT Ø 1.5 CP		
	253035C	LW6.1G.304	PRIMA I. <sup>®</sup> DOUBLE NOZZLE PENT Ø 1.75 CP		
	253036C	LW6.1G.305	PRIMA I. <sup>®</sup> DOUBLE NOZZLE PENT Ø 2.0 CP		
	253037C	LW6.1G.307	PRIMA I. <sup>®</sup> DOUBLE NOZZLE PENT Ø 2.5 CP		
	253038C	LW6.1G.204	PRIMA I. <sup>®</sup> DOUBLE NOZZLE PENT Ø 2.5 CP		
	253039C	LW6.1G.309	PRIMA I. <sup>®</sup> DOUBLE NOZZLE PENT Ø 3.0 CP		
	253040C	LW6.1G.206	PRIMA I. <sup>®</sup> DOUBLE NOZZLE PENT Ø 3.0 CP		
	253041C	LW6.1G.207	PRIMA I. <sup>®</sup> DOUBLE NOZZLE PENT Ø 3.5 CP		
2	253033CK	LW6.1G.302	PRIMA I. <sup>®</sup> DOUBLE NOZZLE PENT Ø 1.25 CP		
	253034CK	LW6.1G.303	PRIMA I. <sup>®</sup> DOUBLE NOZZLE PENT Ø 1.5 CP		
	253035CK	LW6.1G.304	PRIMA I. <sup>®</sup> DOUBLE NOZZLE PENT Ø 1.75 CP		
	253036CK	LW6.1G.305	PRIMA I. <sup>®</sup> DOUBLE NOZZLE PENT Ø 2.0 CP		
	253037CK	LW6.1G.307	PRIMA I. <sup>®</sup> DOUBLE NOZZLE PENT Ø 2.5 CP		
	253038CK	LW6.1G.204	PRIMA I. <sup>®</sup> DOUBLE NOZZLE PENT Ø 2.5 CP		
	253039CK	LW6.1G.309	PRIMA I. <sup>®</sup> DOUBLE NOZZLE PENT Ø 3.0 CP		
	253040CK	LW6.1G.206	PRIMA I. <sup>®</sup> DOUBLE NOZZLE PENT Ø 3.0 CP		
	253041CK	LW6.1G.207	PRIMA I. <sup>®</sup> DOUBLE NOZZLE PENT Ø 3.5 CP		

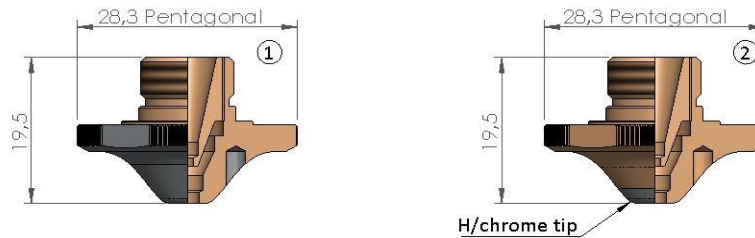


POS	LS. CODE	ORIGINAL CODE	DESCRIPTION	unit price	10 pack price
1	253045C	LW6.1G.699	PRIMA I. <sup>®</sup> NOZZLE PENT Ø 1.5 CP		
	253046C	LW6.1G.700	PRIMA I. <sup>®</sup> NOZZLE PENT Ø 2.0 CP		
	253047C	LW6.1G.701	PRIMA I. <sup>®</sup> NOZZLE PENT Ø 2.5 CP		
	253048C	LW6.1G.702	PRIMA I. <sup>®</sup> NOZZLE PENT Ø 3.0 CP		

## Replacement parts suitable for PRIMA INDUSTRIE<sup>®</sup>



POS	LS. CODE	ORIGINAL CODE	DESCRIPTION	unit price	10 pack price
1	253050	LW6.1G.200	PRIMA I. <sup>®</sup> DOUBLE NOZZLE PENT Ø 3.0		
	253051	LW6.1G.201	PRIMA I. <sup>®</sup> DOUBLE NOZZLE PENT Ø 3.5		
	253052	LW6.1G.202	PRIMA I. <sup>®</sup> DOUBLE NOZZLE PENT Ø 4.0		
2	253053	LW6.1G.203	PRIMA I. <sup>®</sup> DOUBLE NOZZLE PENT Ø 5.0		
3	253054	LW6.1G.204	PRIMA I. <sup>®</sup> DOUBLE NOZZLE PENT Ø 7.0		

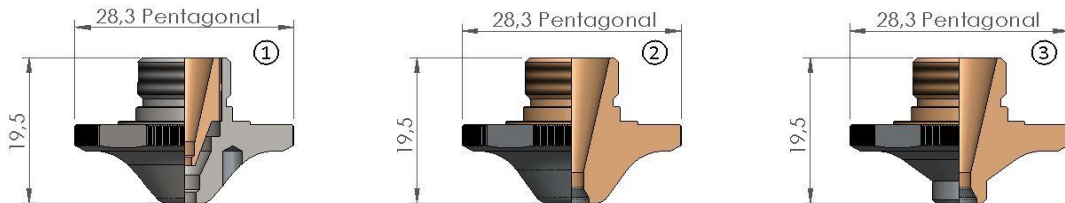


POS	LS. CODE	ORIGINAL CODE	DESCRIPTION	unit price	10 pack price
1	253060C	LW6.1G.680	PRIMA I. <sup>®</sup> DOUBLE NOZZLE PENT Ø 0.8 CP		
	253061C	LW6.1G.681	PRIMA I. <sup>®</sup> DOUBLE NOZZLE PENT Ø 1.0 CP		
	253062C	LW6.1G.682	PRIMA I. <sup>®</sup> DOUBLE NOZZLE PENT Ø 1.25 CP		
	253063C	LW6.1G.683	PRIMA I. <sup>®</sup> DOUBLE NOZZLE PENT Ø 1.5 CP		
	253064C	LW6.1G.684	PRIMA I. <sup>®</sup> DOUBLE NOZZLE PENT Ø 1.75 CP		
	253065C	LW6.1G.685	PRIMA I. <sup>®</sup> DOUBLE NOZZLE PENT Ø 2.0 CP		
	253066C	LW6.1G.686	PRIMA I. <sup>®</sup> DOUBLE NOZZLE PENT Ø 2.25 CP		
	253067C	LW6.1G.687	PRIMA I. <sup>®</sup> DOUBLE NOZZLE PENT Ø 2.5 CP		
	253068C	LW6.1G.688	PRIMA I. <sup>®</sup> DOUBLE NOZZLE PENT Ø 2.75 CP		
	253069C	LW6.1G.689	PRIMA I. <sup>®</sup> DOUBLE NOZZLE PENT Ø 3.0 CP		
2	253060CK	LW6.1G.680	PRIMA I. <sup>®</sup> DOUBLE NOZZLE PENT Ø 0.8 CP		
	253061CK	LW6.1G.681	PRIMA I. <sup>®</sup> DOUBLE NOZZLE PENT Ø 1.0 CP		
	253062CK	LW6.1G.682	PRIMA I. <sup>®</sup> DOUBLE NOZZLE PENT Ø 1.25 CP		
	253063CK	LW6.1G.683	PRIMA I. <sup>®</sup> DOUBLE NOZZLE PENT Ø 1.5 CP		
	253064CK	LW6.1G.684	PRIMA I. <sup>®</sup> DOUBLE NOZZLE PENT Ø 1.75 CP		
	253065CK	LW6.1G.685	PRIMA I. <sup>®</sup> DOUBLE NOZZLE PENT Ø 2.0 CP		
	253066CK	LW6.1G.686	PRIMA I. <sup>®</sup> DOUBLE NOZZLE PENT Ø 2.25 CP		
	253067CK	LW6.1G.687	PRIMA I. <sup>®</sup> DOUBLE NOZZLE PENT Ø 2.5 CP		
	253068CK	LW6.1G.688	PRIMA I. <sup>®</sup> DOUBLE NOZZLE PENT Ø 2.75 CP		
	253069CK	LW6.1G.689	PRIMA I. <sup>®</sup> DOUBLE NOZZLE PENT Ø 3.0 CP		

---

## Replacement parts suitable for PRIMA INDUSTRIE<sup>®</sup>

---



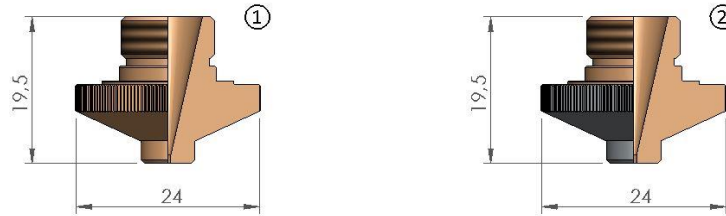
POS	LS. CODE	ORIGINAL CODE	DESCRIPTION	unit price	10 pack price
1	253074	LW6.1G.800	PRIMA I. <sup>®</sup> DOUBLE NOZZLE PENT Ø 3.0		
	253075	LW6.1G.801	PRIMA I. <sup>®</sup> DOUBLE NOZZLE PENT Ø 3.5		
	253076	LW6.1G.802	PRIMA I. <sup>®</sup> DOUBLE NOZZLE PENT Ø 4.0		
	253077	LW6.1G.803	PRIMA I. <sup>®</sup> DOUBLE NOZZLE PENT Ø 5.0		
	253078	LW6.1G.804	PRIMA I. <sup>®</sup> DOUBLE NOZZLE PENT Ø 7.0		
2	253080C	LW6.1G.522a	PRIMA I. <sup>®</sup> NOZZLE PENT Ø 3.0 CP		
3	253085C	LW6.1G.524	PRIMA I. <sup>®</sup> NOZZLE PENT Ø 3.0 CP		



---



---

**Replacement parts suitable for PRIMA INDUSTRIE<sup>®</sup>**


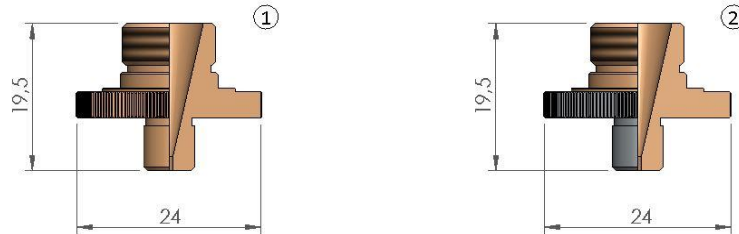
POS	LS. CODE	ORIGINAL CODE	DESCRIPTION	unit price	10 pack price
1	251002		PRIMA I. <sup>®</sup> NOZZLE Ø 0.8		
	251002W		PRIMA I. <sup>®</sup> NOZZLE Ø 0.8		
	251003		PRIMA I. <sup>®</sup> NOZZLE Ø 1.0		
	251003W		PRIMA I. <sup>®</sup> NOZZLE Ø 1.0		
	251004		PRIMA I. <sup>®</sup> NOZZLE Ø 1.2		
	251004W		PRIMA I. <sup>®</sup> NOZZLE Ø 1.2		
	251005	LW6.1E.111	PRIMA I. <sup>®</sup> NOZZLE Ø 1.5		
	251005W	LW6.1E.111	PRIMA I. <sup>®</sup> NOZZLE Ø 1.5		
	251006	LW6.1E.112	PRIMA I. <sup>®</sup> NOZZLE Ø 2.0		
	251006W	LW6.1E.112	PRIMA I. <sup>®</sup> NOZZLE Ø 2.0		
	251007	LW6.1E.113	PRIMA I. <sup>®</sup> NOZZLE Ø 2.5		
	251007W	LW6.1E.113	PRIMA I. <sup>®</sup> NOZZLE Ø 2.5		
	251008	LW6.1E.114	PRIMA I. <sup>®</sup> NOZZLE Ø 3.0		
	251008W	LW6.1E.114	PRIMA I. <sup>®</sup> NOZZLE Ø 3.0		
2	251002C		PRIMA I. <sup>®</sup> NOZZLE Ø 0.8 CP		
	251002CW		PRIMA I. <sup>®</sup> NOZZLE Ø 0.8 CP		
	251003C		PRIMA I. <sup>®</sup> NOZZLE Ø 1.0 CP		
	251003CW		PRIMA I. <sup>®</sup> NOZZLE Ø 1.0 CP		
	251004C		PRIMA I. <sup>®</sup> NOZZLE Ø 1.2 CP		
	251004CW		PRIMA I. <sup>®</sup> NOZZLE Ø 1.2 CP		
	251005C	LW6.1E.111	PRIMA I. <sup>®</sup> NOZZLE Ø 1.5 CP		
	251005CW	LW6.1E.111	PRIMA I. <sup>®</sup> NOZZLE Ø 1.5 CP		
	251006C	LW6.1E.112	PRIMA I. <sup>®</sup> NOZZLE Ø 2.0 CP		
	251006CW	LW6.1E.112	PRIMA I. <sup>®</sup> NOZZLE Ø 2.0 CP		
	251007C	LW6.1E.113	PRIMA I. <sup>®</sup> NOZZLE Ø 2.5 CP		
	251007CW	LW6.1E.113	PRIMA I. <sup>®</sup> NOZZLE Ø 2.5 CP		
	251008C	LW6.1E.114	PRIMA I. <sup>®</sup> NOZZLE Ø 3.0 CP		
	251008CW	LW6.1E.114	PRIMA I. <sup>®</sup> NOZZLE Ø 3.0 CP		



---



---

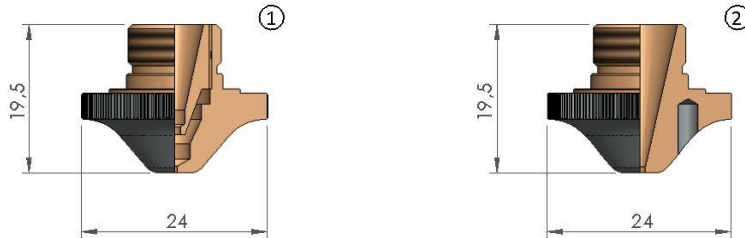
**Replacement parts suitable for PRIMA INDUSTRIE<sup>®</sup>**


POS	LS. CODE	ORIGINAL CODE	DESCRIPTION	unit price	10 pack price
1	251013		PRIMA I. <sup>®</sup> NOZZLE Ø 1.0		
	251013W		PRIMA I. <sup>®</sup> NOZZLE Ø 1.0		
	251014		PRIMA I. <sup>®</sup> NOZZLE Ø 1.2		
	251014W		PRIMA I. <sup>®</sup> NOZZLE Ø 1.2		
	251015	LW6.1G.500-LW6.1G.600	PRIMA I. <sup>®</sup> NOZZLE Ø 1.5		
	251015W	LW6.1G.500-LW6.1G.600	PRIMA I. <sup>®</sup> NOZZLE Ø 1.5		
	251016	LW6.1G.501-LW6.1G.601	PRIMA I. <sup>®</sup> NOZZLE Ø 2.0		
	251016W	LW6.1G.501-LW6.1G.601	PRIMA I. <sup>®</sup> NOZZLE Ø 2.0		
	251017	LW6.1G.502-LW6.1G.602	PRIMA I. <sup>®</sup> NOZZLE Ø 2.5		
	251017W	LW6.1G.502-LW6.1G.602	PRIMA I. <sup>®</sup> NOZZLE Ø 2.5		
	251018	LW6.1G.503-LW6.1G.603	PRIMA I. <sup>®</sup> NOZZLE Ø 3.0		
	251018W	LW6.1G.503-LW6.1G.603	PRIMA I. <sup>®</sup> NOZZLE Ø 3.0		
2	251013C		PRIMA I. <sup>®</sup> NOZZLE Ø 1.0 CP		
	251013CW		PRIMA I. <sup>®</sup> NOZZLE Ø 1.0 CP		
	251014C		PRIMA I. <sup>®</sup> NOZZLE Ø 1.2 CP		
	251014CW		PRIMA I. <sup>®</sup> NOZZLE Ø 1.2 CP		
	251015C	LW6.1G.500-LW6.1G.600	PRIMA I. <sup>®</sup> NOZZLE Ø 1.5 CP		
	251015CW	LW6.1G.500-LW6.1G.600	PRIMA I. <sup>®</sup> NOZZLE Ø 1.5 CP		
	251016C	LW6.1G.501-LW6.1G.601	PRIMA I. <sup>®</sup> NOZZLE Ø 2.0 CP		
	251016CW	LW6.1G.501-LW6.1G.601	PRIMA I. <sup>®</sup> NOZZLE Ø 2.0 CP		
	251017C	LW6.1G.502-LW6.1G.602	PRIMA I. <sup>®</sup> NOZZLE Ø 2.5 CP		
	251017CW	LW6.1G.502-LW6.1G.602	PRIMA I. <sup>®</sup> NOZZLE Ø 2.5 CP		
	251018C	LW6.1G.503-LW6.1G.603	PRIMA I. <sup>®</sup> NOZZLE Ø 3.0 CP		
	251018CW	LW6.1G.503-LW6.1G.603	PRIMA I. <sup>®</sup> NOZZLE Ø 3.0 CP		

---



---

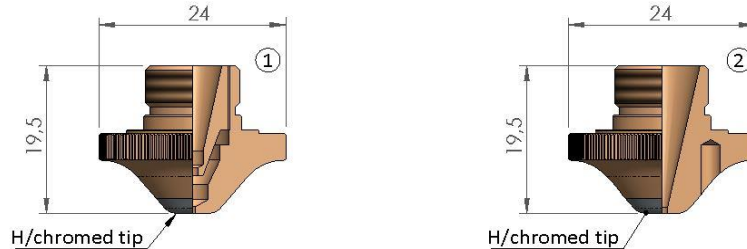
**Replacement parts suitable for PRIMA INDUSTRIE<sup>®</sup>**


POS	LS. CODE	ORIGINAL CODE	DESCRIPTION	unit price	10 pack price
1	251022C	105.970.000.010	PRIMA I. <sup>®</sup> DOUBLE NOZZLE Ø 0.8 CP		
	251022CW	105.970.000.010	PRIMA I. <sup>®</sup> DOUBLE NOZZLE Ø 0.8 CP		
	251023C	105.970.000.003	PRIMA I. <sup>®</sup> DOUBLE NOZZLE Ø 1.0 CP		
	251023CW	105.970.000.003	PRIMA I. <sup>®</sup> DOUBLE NOZZLE Ø 1.0 CP		
	251024C	105.970.000.008	PRIMA I. <sup>®</sup> DOUBLE NOZZLE Ø 1.25 CP		
	251024CW	105.970.000.008	PRIMA I. <sup>®</sup> DOUBLE NOZZLE Ø 1.25 CP		
	251025C	105.970.000.004	PRIMA I. <sup>®</sup> DOUBLE NOZZLE Ø 1.5 CP		
	251025CW	105.970.000.004	PRIMA I. <sup>®</sup> DOUBLE NOZZLE Ø 1.5 CP		
	251026C	105.970.000.009	PRIMA I. <sup>®</sup> DOUBLE NOZZLE Ø 1.75 CP		
	251026CW	105.970.000.009	PRIMA I. <sup>®</sup> DOUBLE NOZZLE Ø 1.75 CP		
	251027C	105.970.000.005	PRIMA I. <sup>®</sup> DOUBLE NOZZLE Ø 2.0 CP		
	251027CW	105.970.000.005	PRIMA I. <sup>®</sup> DOUBLE NOZZLE Ø 2.0 CP		
	251028C	105.970.000.006	PRIMA I. <sup>®</sup> DOUBLE NOZZLE Ø 2.5 CP		
	251028CW	105.970.000.006	PRIMA I. <sup>®</sup> DOUBLE NOZZLE Ø 2.5 CP		
	251029C	105.970.000.007	PRIMA I. <sup>®</sup> DOUBLE NOZZLE Ø 3.0 CP		
251029CW	105.970.000.007	PRIMA I. <sup>®</sup> DOUBLE NOZZLE Ø 3.0 CP			
2	253005C	LW6.1G.604	PRIMA I. <sup>®</sup> NOZZLE Ø 1.5 CP		
	253005CW	LW6.1G.604	PRIMA I. <sup>®</sup> NOZZLE Ø 1.5 CP		
	253006C		PRIMA I. <sup>®</sup> NOZZLE Ø 1.75 CP		
	253006CW		PRIMA I. <sup>®</sup> NOZZLE Ø 1.75 CP		
	253007C	LW6.1G.605	PRIMA I. <sup>®</sup> NOZZLE Ø 2.0 CP		
	253007CW	LW6.1G.605	PRIMA I. <sup>®</sup> NOZZLE Ø 2.0 CP		
	253008C	LW6.1G.606	PRIMA I. <sup>®</sup> NOZZLE Ø 2.5 CP		
	253008CW	LW6.1G.606	PRIMA I. <sup>®</sup> NOZZLE Ø 2.5 CP		
	253009C	LW6.1G.607	PRIMA I. <sup>®</sup> NOZZLE Ø 3.0 CP		
253009CW	LW6.1G.607	PRIMA I. <sup>®</sup> NOZZLE Ø 3.0 CP			

---

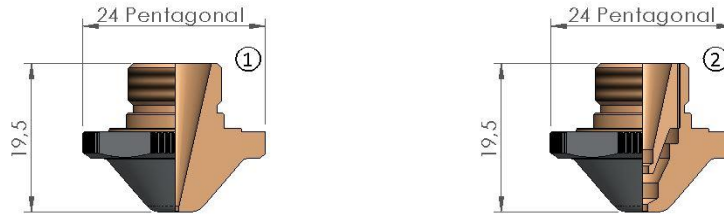


---

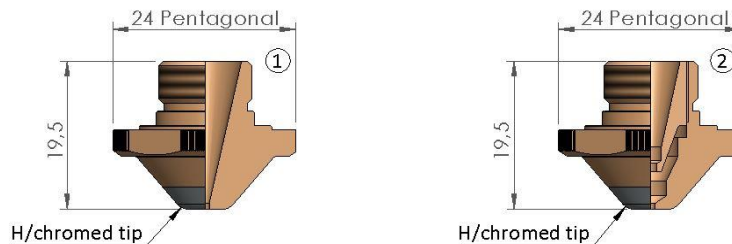
**Replacement parts suitable for PRIMA INDUSTRIE<sup>®</sup>**


POS	LS. CODE	ORIGINAL CODE	DESCRIPTION	unit price	10 pack price
1	251022CK	105.970.000.010	PRIMA I. <sup>®</sup> DOUBLE NOZZLE Ø 0.8 CP		
	251022CKW	105.970.000.010	PRIMA I. <sup>®</sup> DOUBLE NOZZLE Ø 0.8 CP		
	251023CK	105.970.000.003	PRIMA I. <sup>®</sup> DOUBLE NOZZLE Ø 1.0 CP		
	251023CKW	105.970.000.003	PRIMA I. <sup>®</sup> DOUBLE NOZZLE Ø 1.0 CP		
	251024CK	105.970.000.008	PRIMA I. <sup>®</sup> DOUBLE NOZZLE Ø 1.25 CP		
	251024CKW	105.970.000.008	PRIMA I. <sup>®</sup> DOUBLE NOZZLE Ø 1.25 CP		
	251025CK	105.970.000.004	PRIMA I. <sup>®</sup> DOUBLE NOZZLE Ø 1.5 CP		
	251025CKW	105.970.000.004	PRIMA I. <sup>®</sup> DOUBLE NOZZLE Ø 1.5 CP		
	251026CK	105.970.000.009	PRIMA I. <sup>®</sup> DOUBLE NOZZLE Ø 1.75 CP		
	251026CKW	105.970.000.009	PRIMA I. <sup>®</sup> DOUBLE NOZZLE Ø 1.75 CP		
	251027CK	105.970.000.005	PRIMA I. <sup>®</sup> DOUBLE NOZZLE Ø 2.0 CP		
	251027CKW	105.970.000.005	PRIMA I. <sup>®</sup> DOUBLE NOZZLE Ø 2.0 CP		
	251028CK	105.970.000.006	PRIMA I. <sup>®</sup> DOUBLE NOZZLE Ø 2.5 CP		
	251028CKW	105.970.000.006	PRIMA I. <sup>®</sup> DOUBLE NOZZLE Ø 2.5 CP		
	251029CK	105.970.000.007	PRIMA I. <sup>®</sup> DOUBLE NOZZLE Ø 3.0 CP		
	251029CKW	105.970.000.007	PRIMA I. <sup>®</sup> DOUBLE NOZZLE Ø 3.0 CP		
2	253005CK	LW6.1G.604	PRIMA I. <sup>®</sup> NOZZLE Ø 1.5 CP		
	253005CKW	LW6.1G.604	PRIMA I. <sup>®</sup> NOZZLE Ø 1.5 CP		
	253006CK		PRIMA I. <sup>®</sup> NOZZLE Ø 1.75 CP		
	253006CKW		PRIMA I. <sup>®</sup> NOZZLE Ø 1.75 CP		
	253007CK	LW6.1G.605	PRIMA I. <sup>®</sup> NOZZLE Ø 2.0 CP		
	253007CKW	LW6.1G.605	PRIMA I. <sup>®</sup> NOZZLE Ø 2.0 CP		
	253008CK	LW6.1G.606	PRIMA I. <sup>®</sup> NOZZLE Ø 2.5 CP		
	253008CKW	LW6.1G.606	PRIMA I. <sup>®</sup> NOZZLE Ø 2.5 CP		
	253009CK	LW6.1G.607	PRIMA I. <sup>®</sup> NOZZLE Ø 3.0 CP		
	253009CKW	LW6.1G.607	PRIMA I. <sup>®</sup> NOZZLE Ø 3.0 CP		

## Replacement parts suitable for PRIMA INDUSTRIE<sup>®</sup>

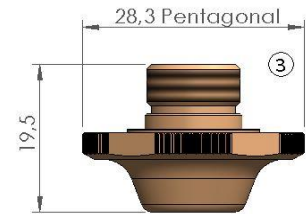
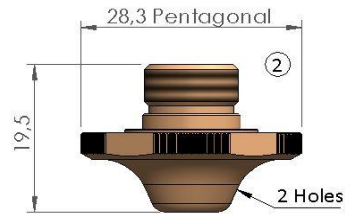
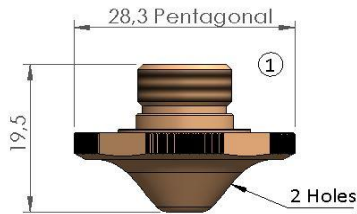


POS	LS. CODE	ORIGINAL CODE	DESCRIPTION	unit price	10 pack price
1	254003C	LW6.1G.633	PRIMA I. <sup>®</sup> NOZZLE PENT Ø 1.5 CP		
	254003CW	LW6.1G.633	PRIMA I. <sup>®</sup> NOZZLE PENT Ø 1.5 CP		
	254004C	LW6.1G.635	PRIMA I. <sup>®</sup> NOZZLE PENT Ø 2.0 CP		
	254004CW	LW6.1G.635	PRIMA I. <sup>®</sup> NOZZLE PENT Ø 2.0 CP		
	254005C	LW6.1G.637	PRIMA I. <sup>®</sup> NOZZLE PENT Ø 2.5 CP		
	254005CW	LW6.1G.637	PRIMA I. <sup>®</sup> NOZZLE PENT Ø 2.5 CP		
2	254013C	LW6.1G.643	PRIMA I. <sup>®</sup> DOUBLE NOZZLE PENT Ø 1.5 CP		
	254013CW	LW6.1G.643	PRIMA I. <sup>®</sup> DOUBLE NOZZLE PENT Ø 1.5 CP		
	254014C	LW6.1G.645	PRIMA I. <sup>®</sup> DOUBLE NOZZLE PENT Ø 2.0 CP		
	254014CW	LW6.1G.645	PRIMA I. <sup>®</sup> DOUBLE NOZZLE PENT Ø 2.0 CP		
	254015C	LW6.1G.647	PRIMA I. <sup>®</sup> DOUBLE NOZZLE PENT Ø 2.5 CP		
	254015CW	LW6.1G.647	PRIMA I. <sup>®</sup> DOUBLE NOZZLE PENT Ø 2.5 CP		

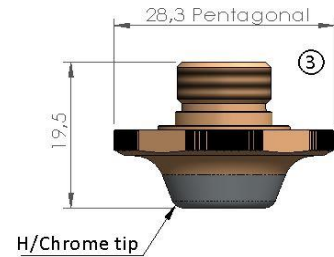
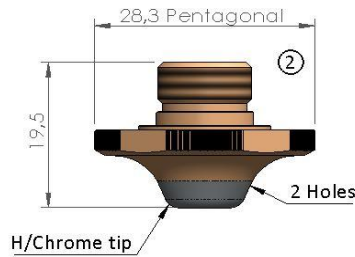
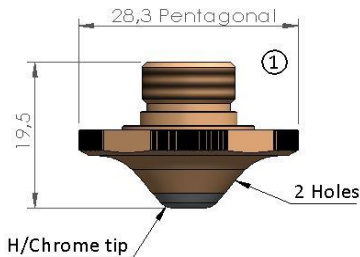


POS	LS. CODE	ORIGINAL CODE	DESCRIPTION	unit price	10 pack price
1	254003CK	LW6.1G.633	PRIMA I. <sup>®</sup> NOZZLE PENT Ø 1.5 CP		
	254003CKW	LW6.1G.633	PRIMA I. <sup>®</sup> NOZZLE PENT Ø 1.5 CP		
	254004CK	LW6.1G.635	PRIMA I. <sup>®</sup> NOZZLE PENT Ø 2.0 CP		
	254004CKW	LW6.1G.635	PRIMA I. <sup>®</sup> NOZZLE PENT Ø 2.0 CP		
	254005CK	LW6.1G.637	PRIMA I. <sup>®</sup> NOZZLE PENT Ø 2.5 CP		
	254005CKW	LW6.1G.637	PRIMA I. <sup>®</sup> NOZZLE PENT Ø 2.5 CP		
2	254013CK	LW6.1G.643	PRIMA I. <sup>®</sup> DOUBLE NOZZLE PENT Ø 1.5 CP		
	254013CKW	LW6.1G.643	PRIMA I. <sup>®</sup> DOUBLE NOZZLE PENT Ø 1.5 CP		
	254014CK	LW6.1G.645	PRIMA I. <sup>®</sup> DOUBLE NOZZLE PENT Ø 2.0 CP		
	254014CKW	LW6.1G.645	PRIMA I. <sup>®</sup> DOUBLE NOZZLE PENT Ø 2.0 CP		
	254015CK	LW6.1G.647	PRIMA I. <sup>®</sup> DOUBLE NOZZLE PENT Ø 2.5 CP		
	254015CKW	LW6.1G.647	PRIMA I. <sup>®</sup> DOUBLE NOZZLE PENT Ø 2.5 CP		

## Replacement parts suitable for PRIMA INDUSTRIE<sup>®</sup>



POS	LS. CODE	ORIGINAL CODE	DESCRIPTION	unit price	10 pack price
1	256001		PRIMA I. <sup>®</sup> DOUBLE NOZZLE PENT Ø 2.5 - SS		
	256002		PRIMA I. <sup>®</sup> DOUBLE NOZZLE PENT Ø 3.0 - SS		
	256003		PRIMA I. <sup>®</sup> DOUBLE NOZZLE PENT Ø 4.0 - SS		
2	256004		PRIMA I. <sup>®</sup> DOUBLE NOZZLE PENT Ø 6.0 - SS		
3	256005		PRIMA I. <sup>®</sup> DOUBLE NOZZLE PENT Ø 10.0 - SS		

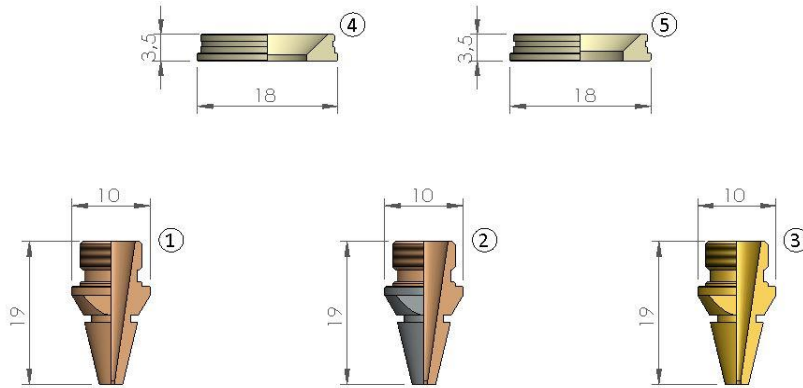


POS	LS. CODE	ORIGINAL CODE	DESCRIPTION	unit price	10 pack price
1	256001CK		PRIMA I. <sup>®</sup> DOUBLE NOZZLE PENT Ø 2.5 CP - SS		
	256002CK		PRIMA I. <sup>®</sup> DOUBLE NOZZLE PENT Ø 3.0 CP - SS		
	256003CK		PRIMA I. <sup>®</sup> DOUBLE NOZZLE PENT Ø 4.0 CP - SS		
2	256004CK		PRIMA I. <sup>®</sup> DOUBLE NOZZLE PENT Ø 6.0 CP - SS		
3	256005CK		PRIMA I. <sup>®</sup> DOUBLE NOZZLE PENT Ø 10.0 CP - SS		

---



---

**Replacement parts suitable for PRIMA INDUSTRIE<sup>®</sup>**


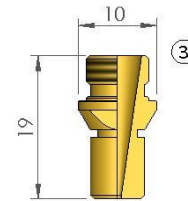
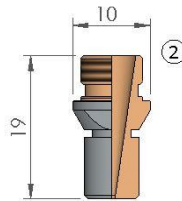
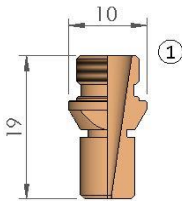
POS	LS. CODE	ORIGINAL CODE	DESCRIPTION	unit price	10 pack price
1	252011W		PRIMA I. <sup>®</sup> NOZZLE Ø 1.0 CONICAL		
	252012W		PRIMA I. <sup>®</sup> NOZZLE Ø 1.2 CONICAL		
	252013W		PRIMA I. <sup>®</sup> NOZZLE Ø 1.5 CONICAL		
	252014W		PRIMA I. <sup>®</sup> NOZZLE Ø 1.7 CONICAL		
	252015W		PRIMA I. <sup>®</sup> NOZZLE Ø 2.0 CONICAL		
	252016W		PRIMA I. <sup>®</sup> NOZZLE Ø 2.5 CONICAL		
	252017W		PRIMA I. <sup>®</sup> NOZZLE Ø 3.0 CONICAL		
2	252011CW		PRIMA I. <sup>®</sup> NOZZLE Ø 1.0 CP		
	252012CW		PRIMA I. <sup>®</sup> NOZZLE Ø 1.2 CP		
	252013CW	485.73.431	PRIMA I. <sup>®</sup> NOZZLE Ø 1.5 CP		
	252014CW		PRIMA I. <sup>®</sup> NOZZLE Ø 1.7 CP		
	252015CW	485.73.433	PRIMA I. <sup>®</sup> NOZZLE Ø 2.0 CP		
	252016CW		PRIMA I. <sup>®</sup> NOZZLE Ø 2.5 CP		
	252017CW		PRIMA I. <sup>®</sup> NOZZLE Ø 3.0 CP		
3	252043W	485.73.331	PRIMA I. <sup>®</sup> NOZZLE Ø 1.5 BRASS		
	252045W	485.73.333	PRIMA I. <sup>®</sup> NOZZLE Ø 2.0 BRASS		
	252046W	485.73.334	PRIMA I. <sup>®</sup> NOZZLE Ø 2.5 BRASS		
4	259001	480.73.107	PRIMA I. <sup>®</sup> INSULATING RING-PLASTIC - HEAD 5" - ID 10		
5	259002		PRIMA I. <sup>®</sup> INSULATING RING-PLASTIC - HEAD 7.5" - ID 11		



---



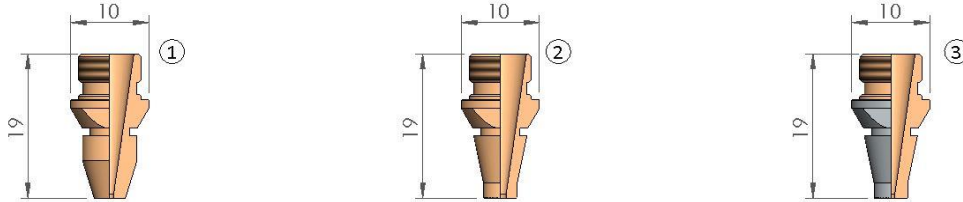
---

**Replacement parts suitable for PRIMA INDUSTRIE<sup>®</sup>**


POS	LS. CODE	ORIGINAL CODE	DESCRIPTION	unit price	10 pack price
1	252001W		PRIMA I. <sup>®</sup> NOZZLE Ø 1.0		
	252002W		PRIMA I. <sup>®</sup> NOZZLE Ø 1.2		
	252003W		PRIMA I. <sup>®</sup> NOZZLE Ø 1.5		
	252004W		PRIMA I. <sup>®</sup> NOZZLE Ø 1.7		
	252005W		PRIMA I. <sup>®</sup> NOZZLE Ø 2.0		
	252006W		PRIMA I. <sup>®</sup> NOZZLE Ø 2.5		
	252007W		PRIMA I. <sup>®</sup> NOZZLE Ø 3.0		
2	252001CW		PRIMA I. <sup>®</sup> NOZZLE Ø 1.0 CP		
	252002CW		PRIMA I. <sup>®</sup> NOZZLE Ø 1.2 CP		
	252003CW	485.73.421	PRIMA I. <sup>®</sup> NOZZLE Ø 1.5 CP		
	252004CW		PRIMA I. <sup>®</sup> NOZZLE Ø 1.7 CP		
	252005CW	485.73.422	PRIMA I. <sup>®</sup> NOZZLE Ø 2.0 CP		
	252006CW	485.73.423	PRIMA I. <sup>®</sup> NOZZLE Ø 2.5 CP		
	252007CW	485.73.424	PRIMA I. <sup>®</sup> NOZZLE Ø 3.0 CP		
3	252031W		PRIMA I. <sup>®</sup> NOZZLE Ø 1.0 BRASS		
	252033W	485.73.321	PRIMA I. <sup>®</sup> NOZZLE Ø 1.5 BRASS		
	252035W	485.73.322	PRIMA I. <sup>®</sup> NOZZLE Ø 2.0 BRASS		
	252036W	485.73.323	PRIMA I. <sup>®</sup> NOZZLE Ø 2.5 BRASS		
	252037W	485.73.324	PRIMA I. <sup>®</sup> NOZZLE Ø 3.0 BRASS		



## Replacement parts suitable for PRIMA INDUSTRIE<sup>®</sup>

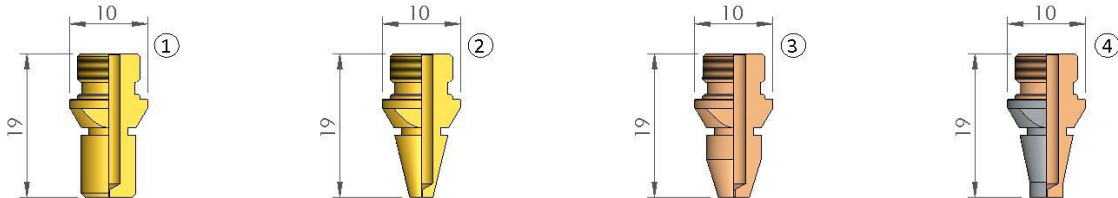


POS	LS. CODE	ORIGINAL CODE	DESCRIPTION	unit price	10 pack price
1	252061W		PRIMA I. <sup>®</sup> NOZZLE Ø 1.0		
	252062W		PRIMA I. <sup>®</sup> NOZZLE Ø 1.2		
	252063W		PRIMA I. <sup>®</sup> NOZZLE Ø 1.5		
	252064W		PRIMA I. <sup>®</sup> NOZZLE Ø 1.7		
	252065W		PRIMA I. <sup>®</sup> NOZZLE Ø 2.0		
	252066W		PRIMA I. <sup>®</sup> NOZZLE Ø 2.5		
	252067W		PRIMA I. <sup>®</sup> NOZZLE Ø 3.0		
2	252023W		PRIMA I. <sup>®</sup> NOZZLE Ø 1.5		
	252024W		PRIMA I. <sup>®</sup> NOZZLE Ø 2.0		
	252025W		PRIMA I. <sup>®</sup> NOZZLE Ø 2.5		
	252026W		PRIMA I. <sup>®</sup> NOZZLE Ø 3.0		
3	252023CW	485.73.451	PRIMA I. <sup>®</sup> NOZZLE Ø 1.5 CP		
	252024CW	485.73.452	PRIMA I. <sup>®</sup> NOZZLE Ø 2.0 CP		
	252025CW	485.73.453	PRIMA I. <sup>®</sup> NOZZLE Ø 2.5 CP		
	252026CW		PRIMA I. <sup>®</sup> NOZZLE Ø 3.0 CP		

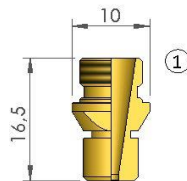
---



---

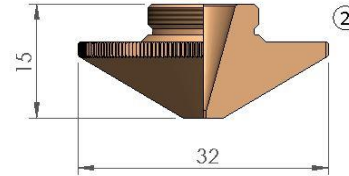
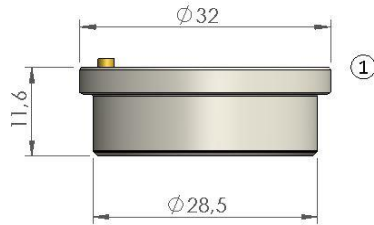
 Replacement parts suitable for PRIMA INDUSTRIE<sup>®</sup>


POS	LS. CODE	ORIGINAL CODE	DESCRIPTION	unit price	10 pack price
1	252070W		PRIMA I. <sup>®</sup> NOZZLE Ø 0.3 BRASS		
2	252071W		PRIMA I. <sup>®</sup> NOZZLE Ø 0.3 BRASS		
3	252072W		PRIMA I. <sup>®</sup> NOZZLE Ø 0.3		
4	252073CW	485.73.455	PRIMA I. <sup>®</sup> NOZZLE Ø 0.3 CP		



POS	LS. CODE	ORIGINAL CODE	DESCRIPTION	unit price	10 pack price
1	252051W	490.1N.301	PRIMA I. <sup>®</sup> NOZZLE Ø 2.0 BRASS		
	252052W	490.1N.302	PRIMA I. <sup>®</sup> NOZZLE Ø 2.5 BRASS		
	252053W		PRIMA I. <sup>®</sup> NOZZLE Ø 3.0 BRASS		

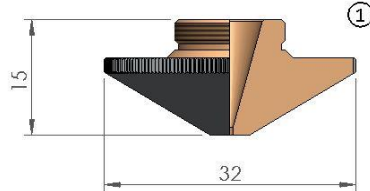
## Replacement parts suitable for RAYTOOLS<sup>®</sup>



POS	LS. CODE	ORIGINAL CODE	DESCRIPTION	unit price	5 pack price
1	069001		RAYTOOLS <sup>®</sup> CERAMIC NOZZLE HOLDER		
2	061001		RAYTOOLS <sup>®</sup> NOZZLE Ø 0.8		
	061001V		RAYTOOLS <sup>®</sup> NOZZLE Ø 0.8		
	061002		RAYTOOLS <sup>®</sup> NOZZLE Ø 1.0		
	061002V		RAYTOOLS <sup>®</sup> NOZZLE Ø 1.0		
	061003		RAYTOOLS <sup>®</sup> NOZZLE Ø 1.2		
	061003V		RAYTOOLS <sup>®</sup> NOZZLE Ø 1.2		
	061004		RAYTOOLS <sup>®</sup> NOZZLE Ø 1.4		
	061004V		RAYTOOLS <sup>®</sup> NOZZLE Ø 1.4		
	061005		RAYTOOLS <sup>®</sup> NOZZLE Ø 1.5		
	061005V		RAYTOOLS <sup>®</sup> NOZZLE Ø 1.5		
	061006		RAYTOOLS <sup>®</sup> NOZZLE Ø 1.8		
	061006V		RAYTOOLS <sup>®</sup> NOZZLE Ø 1.8		
	061007		RAYTOOLS <sup>®</sup> NOZZLE Ø 2.0		
	061007V		RAYTOOLS <sup>®</sup> NOZZLE Ø 2.0		
	061008		RAYTOOLS <sup>®</sup> NOZZLE Ø 2.3		
	061008V		RAYTOOLS <sup>®</sup> NOZZLE Ø 2.3		
	061009		RAYTOOLS <sup>®</sup> NOZZLE Ø 2.5		
	061009V		RAYTOOLS <sup>®</sup> NOZZLE Ø 2.5		
	061010		RAYTOOLS <sup>®</sup> NOZZLE Ø 2.75		
	061010V		RAYTOOLS <sup>®</sup> NOZZLE Ø 2.75		
	061011		RAYTOOLS <sup>®</sup> NOZZLE Ø 3.0		
	061011V		RAYTOOLS <sup>®</sup> NOZZLE Ø 3.0		
	061012		RAYTOOLS <sup>®</sup> NOZZLE Ø 3.2		
	061012V		RAYTOOLS <sup>®</sup> NOZZLE Ø 3.2		
	061013		RAYTOOLS <sup>®</sup> NOZZLE Ø 3.5		
	061013V		RAYTOOLS <sup>®</sup> NOZZLE Ø 3.5		
	061014		RAYTOOLS <sup>®</sup> NOZZLE Ø 4.0		
	061014V		RAYTOOLS <sup>®</sup> NOZZLE Ø 4.0		
061015		RAYTOOLS <sup>®</sup> NOZZLE Ø 4.5			
061015V		RAYTOOLS <sup>®</sup> NOZZLE Ø 4.5			
061016		RAYTOOLS <sup>®</sup> NOZZLE Ø 5.0			
061016V		RAYTOOLS <sup>®</sup> NOZZLE Ø 5.0			
061017		RAYTOOLS <sup>®</sup> NOZZLE Ø 6.0			
061017V		RAYTOOLS <sup>®</sup> NOZZLE Ø 6.0			

Laser Store srl is not affiliated with the named manufacturers. Reference to machines, parts, descriptions, and model numbers are for convenience in verifying compatibility only. All parts are made by or for Laser Store srl and are not made by the reference manufactures (unless expressly indicated). All other trademarks are the properties of their respective owners."

## Replacement parts suitable for RAYTOOLS<sup>®</sup>

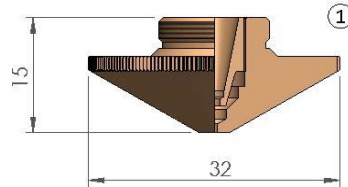


POS	LS. CODE	ORIGINAL CODE	DESCRIPTION	unit price	5 pack price
1	061001C		RAYTOOLS <sup>®</sup> NOZZLE Ø 0.8 CP		
	061001CV		RAYTOOLS <sup>®</sup> NOZZLE Ø 0.8 CP		
	061002C		RAYTOOLS <sup>®</sup> NOZZLE Ø 1.0 CP		
	061002CV		RAYTOOLS <sup>®</sup> NOZZLE Ø 1.0 CP		
	061003C		RAYTOOLS <sup>®</sup> NOZZLE Ø 1.2 CP		
	061003CV		RAYTOOLS <sup>®</sup> NOZZLE Ø 1.2 CP		
	061004C		RAYTOOLS <sup>®</sup> NOZZLE Ø 1.4 CP		
	061004CV		RAYTOOLS <sup>®</sup> NOZZLE Ø 1.4 CP		
	061005C		RAYTOOLS <sup>®</sup> NOZZLE Ø 1.5 CP		
	061005CV		RAYTOOLS <sup>®</sup> NOZZLE Ø 1.5 CP		
	061006C		RAYTOOLS <sup>®</sup> NOZZLE Ø 1.8 CP		
	061006CV		RAYTOOLS <sup>®</sup> NOZZLE Ø 1.8 CP		
	061007C		RAYTOOLS <sup>®</sup> NOZZLE Ø 2.0 CP		
	061007CV		RAYTOOLS <sup>®</sup> NOZZLE Ø 2.0 CP		
	061008C		RAYTOOLS <sup>®</sup> NOZZLE Ø 2.3 CP		
	061008CV		RAYTOOLS <sup>®</sup> NOZZLE Ø 2.3 CP		
	061009C		RAYTOOLS <sup>®</sup> NOZZLE Ø 2.5 CP		
	061009CV		RAYTOOLS <sup>®</sup> NOZZLE Ø 2.5 CP		
	061010C		RAYTOOLS <sup>®</sup> NOZZLE Ø 2.75 CP		
	061010CV		RAYTOOLS <sup>®</sup> NOZZLE Ø 2.75 CP		
	061011C		RAYTOOLS <sup>®</sup> NOZZLE Ø 3.0 CP		
	061011CV		RAYTOOLS <sup>®</sup> NOZZLE Ø 3.0 CP		
	061012C		RAYTOOLS <sup>®</sup> NOZZLE Ø 3.2 CP		
	061012CV		RAYTOOLS <sup>®</sup> NOZZLE Ø 3.2 CP		
	061013C		RAYTOOLS <sup>®</sup> NOZZLE Ø 3.5 CP		
	061013CV		RAYTOOLS <sup>®</sup> NOZZLE Ø 3.5 CP		
	061014C		RAYTOOLS <sup>®</sup> NOZZLE Ø 4.0 CP		
	061014CV		RAYTOOLS <sup>®</sup> NOZZLE Ø 4.0 CP		
	061015C		RAYTOOLS <sup>®</sup> NOZZLE Ø 4.5 CP		
	061015CV		RAYTOOLS <sup>®</sup> NOZZLE Ø 4.5 CP		
	061016C		RAYTOOLS <sup>®</sup> NOZZLE Ø 5.0 CP		
	061016CV		RAYTOOLS <sup>®</sup> NOZZLE Ø 5.0 CP		
061017C		RAYTOOLS <sup>®</sup> NOZZLE Ø 6.0 CP			
061017CV		RAYTOOLS <sup>®</sup> NOZZLE Ø 6.0 CP			

---



---

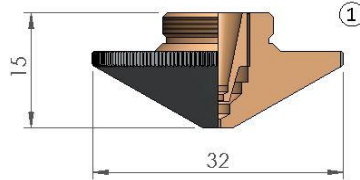
 Replacement parts suitable for RAYTOOLS<sup>®</sup>


POS	LS. CODE	ORIGINAL CODE	DESCRIPTION	unit price	5 pack price
1	061024		RAYTOOLS <sup>®</sup> DOUBLE NOZZLE Ø 0.8		
	061024V		RAYTOOLS <sup>®</sup> DOUBLE NOZZLE Ø 0.8		
	061025		RAYTOOLS <sup>®</sup> DOUBLE NOZZLE Ø 1.0		
	061025V		RAYTOOLS <sup>®</sup> DOUBLE NOZZLE Ø 1.0		
	061026		RAYTOOLS <sup>®</sup> DOUBLE NOZZLE Ø 1.2		
	061026V		RAYTOOLS <sup>®</sup> DOUBLE NOZZLE Ø 1.2		
	061027		RAYTOOLS <sup>®</sup> DOUBLE NOZZLE Ø 1.4		
	061027V		RAYTOOLS <sup>®</sup> DOUBLE NOZZLE Ø 1.4		
	061028		RAYTOOLS <sup>®</sup> DOUBLE NOZZLE Ø 1.5		
	061028V		RAYTOOLS <sup>®</sup> DOUBLE NOZZLE Ø 1.5		
	061029		RAYTOOLS <sup>®</sup> DOUBLE NOZZLE Ø 1.8		
	061029V		RAYTOOLS <sup>®</sup> DOUBLE NOZZLE Ø 1.8		
	061030		RAYTOOLS <sup>®</sup> DOUBLE NOZZLE Ø 2.0		
	061030V		RAYTOOLS <sup>®</sup> DOUBLE NOZZLE Ø 2.0		
	061031		RAYTOOLS <sup>®</sup> DOUBLE NOZZLE Ø 2.3		
	061031V		RAYTOOLS <sup>®</sup> DOUBLE NOZZLE Ø 2.3		
	061032		RAYTOOLS <sup>®</sup> DOUBLE NOZZLE Ø 2.5		
	061032V		RAYTOOLS <sup>®</sup> DOUBLE NOZZLE Ø 2.5		
	061033		RAYTOOLS <sup>®</sup> DOUBLE NOZZLE Ø 2.7		
	061033V		RAYTOOLS <sup>®</sup> DOUBLE NOZZLE Ø 2.7		
	061034		RAYTOOLS <sup>®</sup> DOUBLE NOZZLE Ø 3.0		
	061034V		RAYTOOLS <sup>®</sup> DOUBLE NOZZLE Ø 3.0		
	061035		RAYTOOLS <sup>®</sup> DOUBLE NOZZLE Ø 3.5		
	061035V		RAYTOOLS <sup>®</sup> DOUBLE NOZZLE Ø 3.5		
	061036		RAYTOOLS <sup>®</sup> DOUBLE NOZZLE Ø 4.0		
	061036V		RAYTOOLS <sup>®</sup> DOUBLE NOZZLE Ø 4.0		
	061037		RAYTOOLS <sup>®</sup> DOUBLE NOZZLE Ø 4.5		
	061037V		RAYTOOLS <sup>®</sup> DOUBLE NOZZLE Ø 4.5		
	061038		RAYTOOLS <sup>®</sup> DOUBLE NOZZLE Ø 5.0		
	061038V		RAYTOOLS <sup>®</sup> DOUBLE NOZZLE Ø 5.0		
061039		RAYTOOLS <sup>®</sup> DOUBLE NOZZLE Ø 6.0			
061039V		RAYTOOLS <sup>®</sup> DOUBLE NOZZLE Ø 6.0			

---

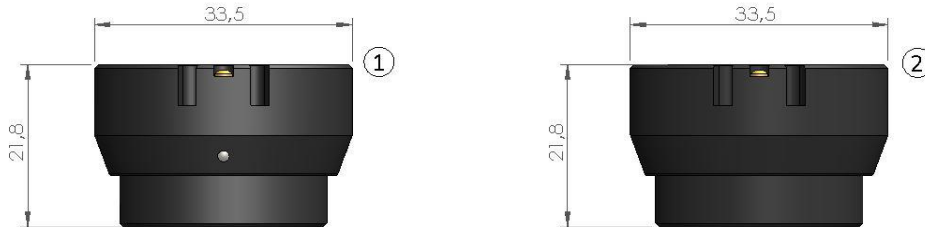


---

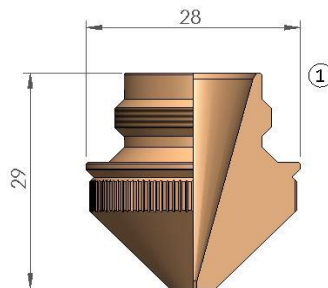
 Replacement parts suitable for RAYTOOLS<sup>®</sup>


POS	LS. CODE	ORIGINAL CODE	DESCRIPTION	unit price	5 pack price
1	061024C		RAYTOOLS <sup>®</sup> DOUBLE NOZZLE Ø 0.8 CP		
	061024CV		RAYTOOLS <sup>®</sup> DOUBLE NOZZLE Ø 0.8 CP		
	061025C		RAYTOOLS <sup>®</sup> DOUBLE NOZZLE Ø 1.0 CP		
	061025CV		RAYTOOLS <sup>®</sup> DOUBLE NOZZLE Ø 1.0 CP		
	061026C		RAYTOOLS <sup>®</sup> DOUBLE NOZZLE Ø 1.2 CP		
	061026CV		RAYTOOLS <sup>®</sup> DOUBLE NOZZLE Ø 1.2 CP		
	061027C		RAYTOOLS <sup>®</sup> DOUBLE NOZZLE Ø 1.4 CP		
	061027CV		RAYTOOLS <sup>®</sup> DOUBLE NOZZLE Ø 1.4 CP		
	061028C		RAYTOOLS <sup>®</sup> DOUBLE NOZZLE Ø 1.5 CP		
	061028CV		RAYTOOLS <sup>®</sup> DOUBLE NOZZLE Ø 1.5 CP		
	061029C		RAYTOOLS <sup>®</sup> DOUBLE NOZZLE Ø 1.8 CP		
	061029CV		RAYTOOLS <sup>®</sup> DOUBLE NOZZLE Ø 1.8 CP		
	061030C		RAYTOOLS <sup>®</sup> DOUBLE NOZZLE Ø 2.0 CP		
	061030CV		RAYTOOLS <sup>®</sup> DOUBLE NOZZLE Ø 2.0 CP		
	061031C		RAYTOOLS <sup>®</sup> DOUBLE NOZZLE Ø 2.3 CP		
	061031CV		RAYTOOLS <sup>®</sup> DOUBLE NOZZLE Ø 2.3 CP		
	061032C		RAYTOOLS <sup>®</sup> DOUBLE NOZZLE Ø 2.5 CP		
	061032CV		RAYTOOLS <sup>®</sup> DOUBLE NOZZLE Ø 2.5 CP		
	061033C		RAYTOOLS <sup>®</sup> DOUBLE NOZZLE Ø 2.7 CP		
	061033CV		RAYTOOLS <sup>®</sup> DOUBLE NOZZLE Ø 2.7 CP		
	061034C		RAYTOOLS <sup>®</sup> DOUBLE NOZZLE Ø 3.0 CP		
	061034CV		RAYTOOLS <sup>®</sup> DOUBLE NOZZLE Ø 3.0 CP		
	061035C		RAYTOOLS <sup>®</sup> DOUBLE NOZZLE Ø 3.5 CP		
	061035CV		RAYTOOLS <sup>®</sup> DOUBLE NOZZLE Ø 3.5 CP		
	061036C		RAYTOOLS <sup>®</sup> DOUBLE NOZZLE Ø 4.0 CP		
	061036CV		RAYTOOLS <sup>®</sup> DOUBLE NOZZLE Ø 4.0 CP		
	061037C		RAYTOOLS <sup>®</sup> DOUBLE NOZZLE Ø 4.5 CP		
	061037CV		RAYTOOLS <sup>®</sup> DOUBLE NOZZLE Ø 4.5 CP		
	061038C		RAYTOOLS <sup>®</sup> DOUBLE NOZZLE Ø 5.0 CP		
	061038CV		RAYTOOLS <sup>®</sup> DOUBLE NOZZLE Ø 5.0 CP		
	061039C		RAYTOOLS <sup>®</sup> DOUBLE NOZZLE Ø 6.0 CP		
	061039CV		RAYTOOLS <sup>®</sup> DOUBLE NOZZLE Ø 6.0 CP		

## Replacement parts suitable for SALVAGNINI<sup>®</sup>



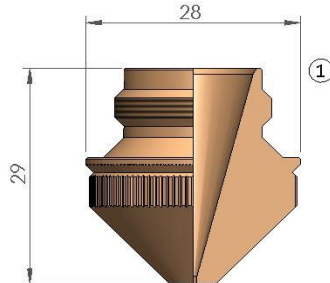
POS	LS. CODE	ORIGINAL CODE	DESCRIPTION	unit price	10 pack price
1	439001		SALVAGNINI <sup>®</sup> ALUMINUM AUTOMATIC NOZZLE HOLDER WITH BUSH		
2	059021	281146-P0380-211-00001-29100033	PRECITEC <sup>®</sup> NOZ. HOLDER IT M1.5" DZ - ALUMINUM		



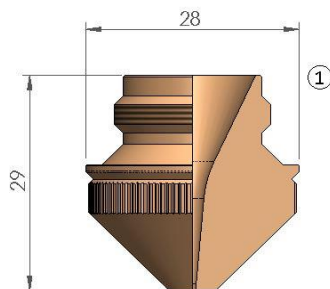
POS	LS. CODE	ORIGINAL CODE	DESCRIPTION	unit price	10 pack price
1	431002	3164010046	SALVAGNINI <sup>®</sup> NOZZLE Ø 1.00		
	431003	3164010045	SALVAGNINI <sup>®</sup> NOZZLE Ø 1.25		
	431004	3164010044	SALVAGNINI <sup>®</sup> NOZZLE Ø 1.50		
	431005	3164010043	SALVAGNINI <sup>®</sup> NOZZLE Ø 1.75		
	431006	3164010042	SALVAGNINI <sup>®</sup> NOZZLE Ø 2.00		
	431007	3164010041	SALVAGNINI <sup>®</sup> NOZZLE Ø 2.25		
	431008	3164010040	SALVAGNINI <sup>®</sup> NOZZLE Ø 2.50		
	431009	3164010039	SALVAGNINI <sup>®</sup> NOZZLE Ø 2.75		
	431010	3164010038	SALVAGNINI <sup>®</sup> NOZZLE Ø 3.00		
	431011		SALVAGNINI <sup>®</sup> NOZZLE Ø 3.50		



## Replacement parts suitable for SALVAGNINI<sup>®</sup>



POS	LS. CODE	ORIGINAL CODE	DESCRIPTION	unit price	10 pack price
2	431102	3164010166	SALVAGNINI <sup>®</sup> NOZZLE Ø 1.00		
	431103	3164010165	SALVAGNINI <sup>®</sup> NOZZLE Ø 1.25		
	431104	3164010164	SALVAGNINI <sup>®</sup> NOZZLE Ø 1.50		
	431105	3164010168	SALVAGNINI <sup>®</sup> NOZZLE Ø 1.75		
	431106	3164010163	SALVAGNINI <sup>®</sup> NOZZLE Ø 2.00		
	431107	3164010169	SALVAGNINI <sup>®</sup> NOZZLE Ø 2.25		
	431108	3164010162	SALVAGNINI <sup>®</sup> NOZZLE Ø 2.50		
	431109	3164010170	SALVAGNINI <sup>®</sup> NOZZLE Ø 2.75		
	431110	3164010161	SALVAGNINI <sup>®</sup> NOZZLE Ø 3.00		
	431111	3164010167	SALVAGNINI <sup>®</sup> NOZZLE Ø 3.50		



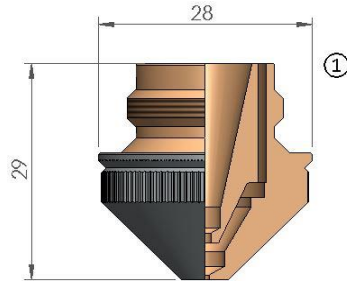
POS	LS. CODE	ORIGINAL CODE	DESCRIPTION	unit price	10 pack price
3	431202	3164010181	SALVAGNINI <sup>®</sup> NOZZLE Ø 1.00		
	431203	3164010182	SALVAGNINI <sup>®</sup> NOZZLE Ø 1.25		
	431204	3164010183	SALVAGNINI <sup>®</sup> NOZZLE Ø 1.50		
	431205	3164010198	SALVAGNINI <sup>®</sup> NOZZLE Ø 1.75		
	431206	3164010184	SALVAGNINI <sup>®</sup> NOZZLE Ø 2.00		
	431207	3164010199	SALVAGNINI <sup>®</sup> NOZZLE Ø 2.25		
	431208	3164010185	SALVAGNINI <sup>®</sup> NOZZLE Ø 2.50		
	431209	3164010200	SALVAGNINI <sup>®</sup> NOZZLE Ø 2.75		
	431210	3164010186	SALVAGNINI <sup>®</sup> NOZZLE Ø 3.00		
	431211	3164010187	SALVAGNINI <sup>®</sup> NOZZLE Ø 3.50		

---



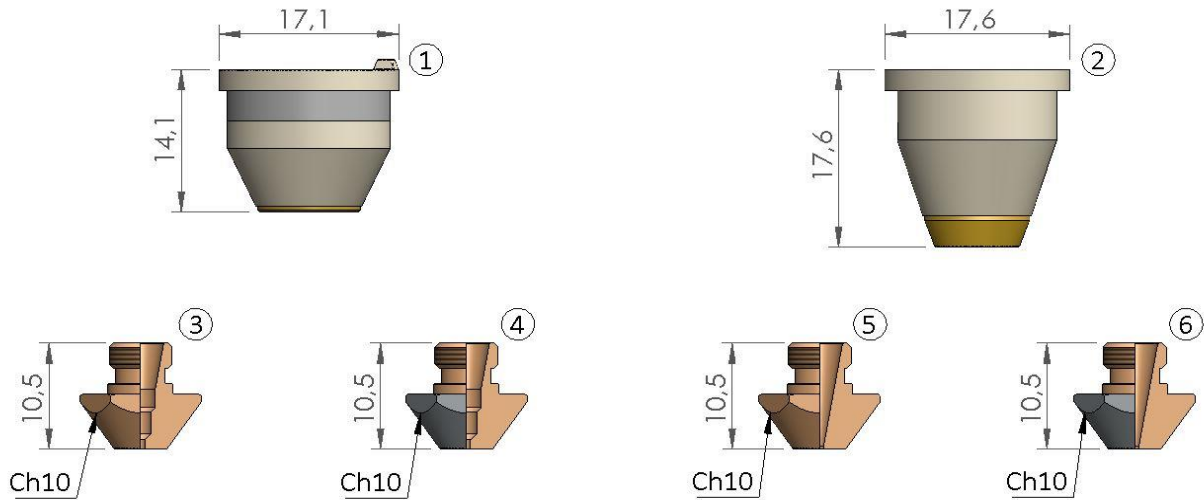
---

## Replacement parts suitable for SALVAGNINI<sup>®</sup>



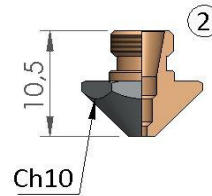
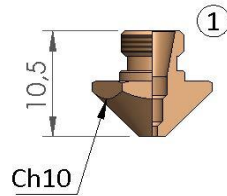
POS	LS. CODE	ORIGINAL CODE	DESCRIPTION	unit price	10 pack price
1	431015C		SALVAGNINI <sup>®</sup> DOUBLE NOZZLE Ø 1.0		
	431016C		SALVAGNINI <sup>®</sup> DOUBLE NOZZLE Ø 1.25		
	431017C		SALVAGNINI <sup>®</sup> DOUBLE NOZZLE Ø 1.5		
	431018C		SALVAGNINI <sup>®</sup> DOUBLE NOZZLE Ø 1.75		
	431019C		SALVAGNINI <sup>®</sup> DOUBLE NOZZLE Ø 2.0		
	431020C		SALVAGNINI <sup>®</sup> DOUBLE NOZZLE Ø 2.25		
	431021C		SALVAGNINI <sup>®</sup> DOUBLE NOZZLE Ø 2.5		
	431022C		SALVAGNINI <sup>®</sup> DOUBLE NOZZLE Ø 2.7		
	431023C		SALVAGNINI <sup>®</sup> DOUBLE NOZZLE Ø 3.0		

## Replacement parts suitable for TRUMPF<sup>®</sup>

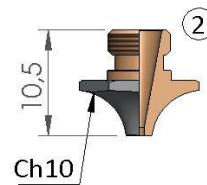
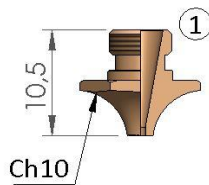


POS	LS. CODE	ORIGINAL CODE	DESCRIPTION	unit price	10 pack price
1	059010	092405	TRUMPF <sup>®</sup> ORIG. NOZZLE HOLDER KT M1.5" KN		
2	019004	936678 - 913966/00-WO	TRUMPF <sup>®</sup> CERAMIC NOZZLE HOLDER		
3	013040W	135420-1354230	TRUMPF <sup>®</sup> NOZZLE Ø 0.8 EBD		
	013041W	212334	TRUMPF <sup>®</sup> NOZZLE Ø 1.0 EBD		
4	013040CW	135420-1354230	TRUMPF <sup>®</sup> NOZZLE Ø 0.8 EBD CP		
	013041CW	212334	TRUMPF <sup>®</sup> NOZZLE Ø 1.0 EBD CP		
5	013030W		TRUMPF <sup>®</sup> NOZZLE Ø 0.8 EBD HD		
	013031W		TRUMPF <sup>®</sup> NOZZLE Ø 1.0 EBD HD		
	013032W	1479581	TRUMPF <sup>®</sup> NOZZLE Ø 1.2 EBD HD		
	013033W	216199	TRUMPF <sup>®</sup> NOZZLE Ø 1.4 EBD HD		
	013034W	225213	TRUMPF <sup>®</sup> NOZZLE Ø 1.7 EBD HD		
	013035W	1487009	TRUMPF <sup>®</sup> NOZZLE Ø 2.0 EBD HD		
	013036W	126156	TRUMPF <sup>®</sup> NOZZLE Ø 2.3 EBD HD		
	013037W		TRUMPF <sup>®</sup> NOZZLE Ø 2.5 EBD HD		
6	013038W		TRUMPF <sup>®</sup> NOZZLE Ø 2.7 EBD HD		
	013030CW		TRUMPF <sup>®</sup> NOZZLE Ø 0.8 EBD HD CP		
	013031CW		TRUMPF <sup>®</sup> NOZZLE Ø 1.0 EBD HD CP		
	013032CW	1479581	TRUMPF <sup>®</sup> NOZZLE Ø 1.2 EBD HD CP		
	013033CW	216199	TRUMPF <sup>®</sup> NOZZLE Ø 1.4 EBD HD CP		
	013034CW	225213	TRUMPF <sup>®</sup> NOZZLE Ø 1.7 EBD HD CP		
	013035CW	1487009	TRUMPF <sup>®</sup> NOZZLE Ø 2.0 EBD HD CP		
	013036CW	126156	TRUMPF <sup>®</sup> NOZZLE Ø 2.3 EBD HD CP		
013037CW		TRUMPF <sup>®</sup> NOZZLE Ø 2.5 EBD HD CP			
	013038CW		TRUMPF <sup>®</sup> NOZZLE Ø 2.7 EBD HD CP		

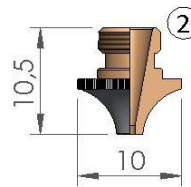
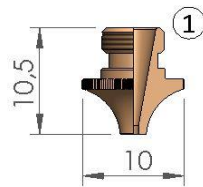
## Replacement parts suitable for TRUMPF<sup>®</sup>



POS	LS. CODE	ORIGINAL CODE	DESCRIPTION	unit price	10 pack price
1	013065W	226939	TRUMPF <sup>®</sup> NOZZLE 1.0		
	013066W		TRUMPF <sup>®</sup> NOZZLE 1.4		
	013067W		TRUMPF <sup>®</sup> NOZZLE 1.7		
2	013065CW	226939	TRUMPF <sup>®</sup> NOZZLE 1.0 CP		
	013066CW		TRUMPF <sup>®</sup> NOZZLE 1.4 CP		
	013067CW		TRUMPF <sup>®</sup> NOZZLE 1.7 CP		



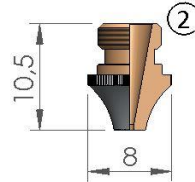
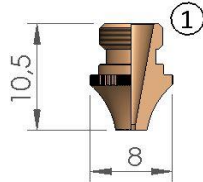
POS	LS. CODE	ORIGINAL CODE	DESCRIPTION	unit price	10 pack price
1	013055W		TRUMPF <sup>®</sup> NOZZLE Ø 1.0 HD		
	013056W		TRUMPF <sup>®</sup> NOZZLE Ø 1.4 HD		
	013057W		TRUMPF <sup>®</sup> NOZZLE Ø 1.7 HD		
2	013055CW		TRUMPF <sup>®</sup> NOZZLE Ø 1.0 HD CP		
	013056CW		TRUMPF <sup>®</sup> NOZZLE Ø 1.4 HD CP		
	013057CW		TRUMPF <sup>®</sup> NOZZLE Ø 1.7 HD CP		



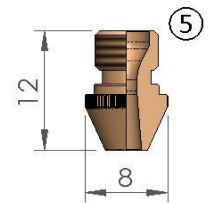
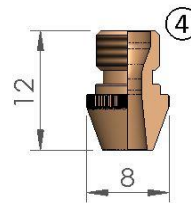
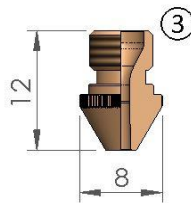
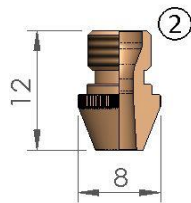
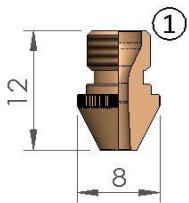
POS	LS. CODE	ORIGINAL CODE	DESCRIPTION	unit price	10 pack price
1	013045W	135320	TRUMPF <sup>®</sup> NOZZLE Ø 1.0 HD		
	013046W		TRUMPF <sup>®</sup> NOZZLE Ø 1.20 HD		
	013047W	135318	TRUMPF <sup>®</sup> NOZZLE Ø 1.4 HD		
	013048W	126157	TRUMPF <sup>®</sup> NOZZLE Ø 1.7 HD		
2	013045CW	135320	TRUMPF <sup>®</sup> NOZZLE Ø 1.0 HD CP		
	013046CW		TRUMPF <sup>®</sup> NOZZLE Ø 1.2 HD CP		
	013047CW	135318	TRUMPF <sup>®</sup> NOZZLE Ø 1.4 HD CP		
	013048CW	126157	TRUMPF <sup>®</sup> NOZZLE Ø 1.7 HD CP		

Laser Store srl is not affiliated with the named manufacturers. Reference to machines, parts, descriptions, and model numbers are for convenience in verifying compatibility only. All parts are made by or for Laser Store srl and are not made by the reference manufacturers (unless expressly indicated). All other trademarks are the properties of their respective owners."

## Replacement parts suitable for TRUMPF<sup>®</sup>

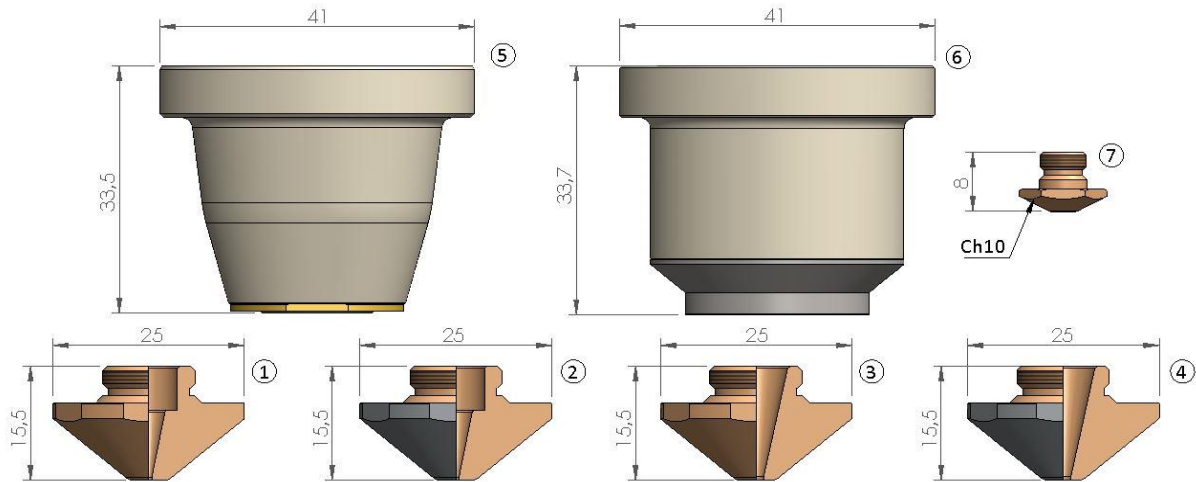


POS	LS. CODE	ORIGINAL CODE	DESCRIPTION	unit price	10 pack price
1	013020W	913799	TRUMPF <sup>®</sup> NOZZLE Ø 0.8 EBF HD		
	013021W	913800	TRUMPF <sup>®</sup> NOZZLE Ø 1.0 EBF HD		
	013022W	1487034	TRUMPF <sup>®</sup> NOZZLE Ø 1.2 EBF HD		
	013023W	913801	TRUMPF <sup>®</sup> NOZZLE Ø 1.4 EBF HD		
	013024W	937988	TRUMPF <sup>®</sup> NOZZLE Ø 1.7 EBF HD		
	013025W		TRUMPF <sup>®</sup> NOZZLE Ø 2.0 EBF HD		
	013026W	937989	TRUMPF <sup>®</sup> NOZZLE Ø 2.3 EBF HD		
2	013020CW	913799	TRUMPF <sup>®</sup> NOZZLE Ø 0.8 EBF HD CP		
	013021CW	913800	TRUMPF <sup>®</sup> NOZZLE Ø 1.0 EBF HD CP		
	013022CW	1487034	TRUMPF <sup>®</sup> NOZZLE Ø 1.2 EBF HD CP		
	013023CW	913801	TRUMPF <sup>®</sup> NOZZLE Ø 1.4 EBF HD CP		
	013024CW	937988	TRUMPF <sup>®</sup> NOZZLE Ø 1.7 EBF HD CP		
	013025CW		TRUMPF <sup>®</sup> NOZZLE Ø 2.0 EBF HD CP		
	013026CW	937989	TRUMPF <sup>®</sup> NOZZLE Ø 2.3 EBF HD CP		



POS	LS. CODE	ORIGINAL CODE	DESCRIPTION	unit price	10 pack price
1	013005W	2241407	TRUMPF <sup>®</sup> NOZZLE Ø 1,8 EBC X12		
2	013007W	2085524	TRUMPF <sup>®</sup> NOZZLE Ø 2,6 EBC X20		
3	013009W	2241406	TRUMPF <sup>®</sup> NOZZLE Ø 1,6 EBC X31		
4	013011W	2241524	TRUMPF <sup>®</sup> NOZZLE Ø 2,6 EBC X35		
5	013013W	2241409	TRUMPF <sup>®</sup> NOZZLE Ø 2,0 EBC X40		

## Replacement parts suitable for TRUMPF<sup>®</sup>

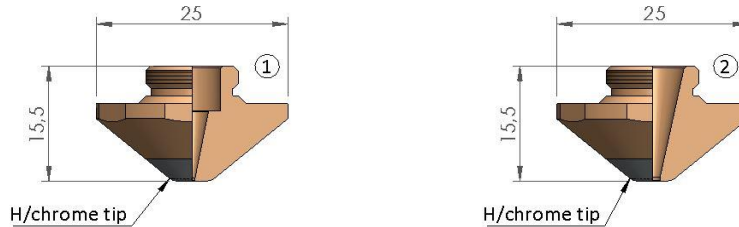


POS	LS. CODE	ORIGINAL CODE	DESCRIPTION	unit price	10 pack price
1	011002W	1324858	TRUMPF <sup>®</sup> NOZZLE Ø 0.8 EAA		
	011003W	1324860	TRUMPF <sup>®</sup> NOZZLE Ø 1.0 EAA		
	011004W	1324861	TRUMPF <sup>®</sup> NOZZLE Ø 1.2 EAA		
	011005W	1324863	TRUMPF <sup>®</sup> NOZZLE Ø 1.4 EAA		
	011006W	1324864	TRUMPF <sup>®</sup> NOZZLE Ø 1.7 EAA		
2	011002KW	1324858	TRUMPF <sup>®</sup> NOZZLE Ø 0.8 EAA SPECIAL CP		
	011003KW	1324860	TRUMPF <sup>®</sup> NOZZLE Ø 1.0 EAA SPECIAL CP		
	011004KW	1324861	TRUMPF <sup>®</sup> NOZZLE Ø 1.2 EAA SPECIAL CP		
	011005KW	1324863	TRUMPF <sup>®</sup> NOZZLE Ø 1.4 EAA SPECIAL CP		
	011006KW	1324864	TRUMPF <sup>®</sup> NOZZLE Ø 1.7 EAA SPECIAL CP		
	011002CW	1324858	TRUMPF <sup>®</sup> NOZZLE Ø 0.8 EAA CP		
	011003CW	1324860	TRUMPF <sup>®</sup> NOZZLE Ø 1.0 EAA CP		
	011004CW	1324861	TRUMPF <sup>®</sup> NOZZLE Ø 1.2 EAA CP		
	011005CW	1324863	TRUMPF <sup>®</sup> NOZZLE Ø 1.4 EAA CP		
011006CW	1324864	TRUMPF <sup>®</sup> NOZZLE Ø 1.7 EAA CP			
3	011007W	1324865	TRUMPF <sup>®</sup> NOZZLE Ø 2.0 EAA		
	011008W	1324866	TRUMPF <sup>®</sup> NOZZLE Ø 2.3 EAA		
	011009W	1324867	TRUMPF <sup>®</sup> NOZZLE Ø 2.7 EAA		
4	011007KW	1324865	TRUMPF <sup>®</sup> NOZZLE Ø 2.0 EAA SPECIAL CP		
	011008KW	1324866	TRUMPF <sup>®</sup> NOZZLE Ø 2.3 EAA SPECIAL CP		
	011009KW	1324867	TRUMPF <sup>®</sup> NOZZLE Ø 2.7 EAA SPECIAL CP		
	011007CW	1324865	TRUMPF <sup>®</sup> NOZZLE Ø 2.0 EAA CP		
	011008CW	1324866	TRUMPF <sup>®</sup> NOZZLE Ø 2.3 EAA CP		
5	019003	1755673	TRUMPF <sup>®</sup> CERAMIC NOZZLE HOLDER AUTOCHANGER		
	019006	1349171	TRUMPF <sup>®</sup> CERAMIC NOZZLE HOLDER		
6	019007	1906032	TRUMPF <sup>®</sup> NOZZLE HOLDER COOL LINE M12		
7	013073	1589610/1384753	TRUMPF <sup>®</sup> NOZZLE Ø 2.0 BLOW OFF EBM		

Laser Store srl is not affiliated with the named manufacturers. Reference to machines, parts, descriptions, and model numbers are for convenience in verifying compatibility only. All parts are made by or for Laser Store srl and are not made by the reference manufacturers (unless expressly indicated). All other trademarks are the properties of their respective owners."



## Replacement parts suitable for TRUMPF<sup>®</sup>



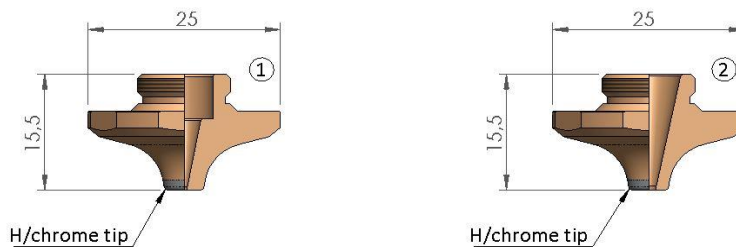
POS	LS. CODE	ORIGINAL CODE	DESCRIPTION	unit price	10 pack price
1	011002CK		TRUMPF <sup>®</sup> NOZZLE Ø 0.8 EAA CP		
	011002CKW		TRUMPF <sup>®</sup> NOZZLE Ø 0.8 EAA CP		
	011003CK		TRUMPF <sup>®</sup> NOZZLE Ø 1.0 EAA CP		
	011003CKW		TRUMPF <sup>®</sup> NOZZLE Ø 1.0 EAA CP		
	011004CK		TRUMPF <sup>®</sup> NOZZLE Ø 1.2 EAA CP		
	011004CKW		TRUMPF <sup>®</sup> NOZZLE Ø 1.2 EAA CP		
	011005CK		TRUMPF <sup>®</sup> NOZZLE Ø 1.4 EAA CP		
	011005CKW		TRUMPF <sup>®</sup> NOZZLE Ø 1.4 EAA CP		
	011006CK		TRUMPF <sup>®</sup> NOZZLE Ø 1.7 EAA CP		
	011006CKW		TRUMPF <sup>®</sup> NOZZLE Ø 1.7 EAA CP		
2	011007CK		TRUMPF <sup>®</sup> NOZZLE Ø 2.0 EAA CP		
	011007CKW		TRUMPF <sup>®</sup> NOZZLE Ø 2.0 EAA CP		
	011008CK		TRUMPF <sup>®</sup> NOZZLE Ø 2.3 EAA CP		
	011008CKW		TRUMPF <sup>®</sup> NOZZLE Ø 2.3 EAA CP		
	011009CK		TRUMPF <sup>®</sup> NOZZLE Ø 2.7 EAA CP		
	011009CKW		TRUMPF <sup>®</sup> NOZZLE Ø 2.7 EAA CP		



## Replacement parts suitable for TRUMPF<sup>®</sup>

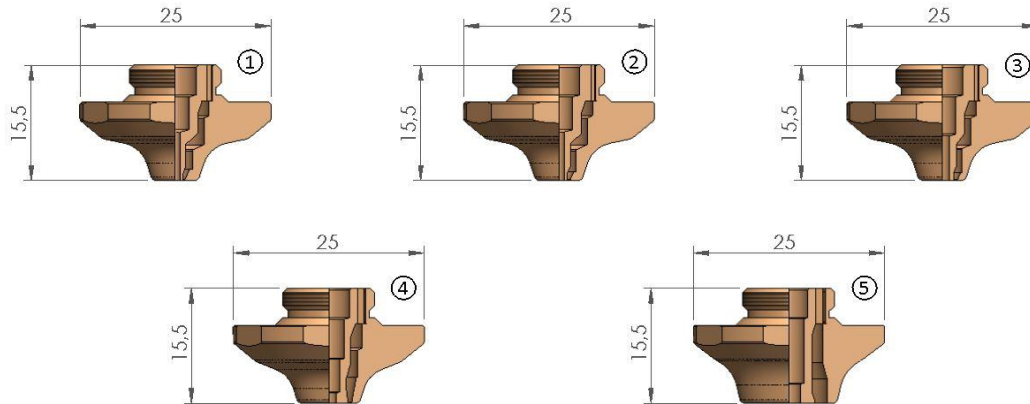


POS	LS. CODE	ORIGINAL CODE	DESCRIPTION	unit price	10 pack price
1	011022W	1373324	TRUMPF <sup>®</sup> NOZZLE Ø 0.8 EAB		
	011023W	1373325	TRUMPF <sup>®</sup> NOZZLE Ø 1.0 EAB		
	011024W	1373326	TRUMPF <sup>®</sup> NOZZLE Ø 1.2 EAB		
	011025W	1373327	TRUMPF <sup>®</sup> NOZZLE Ø 1.4 EAB		
	011026W	1373328	TRUMPF <sup>®</sup> NOZZLE Ø 1.7 EAB		
2	011027W	1373329	TRUMPF <sup>®</sup> NOZZLE Ø 2.0 EAB		
	011028W	1373330	TRUMPF <sup>®</sup> NOZZLE Ø 2.3 EAB		
	011029W	1373331	TRUMPF <sup>®</sup> NOZZLE Ø 2.7 EAB		

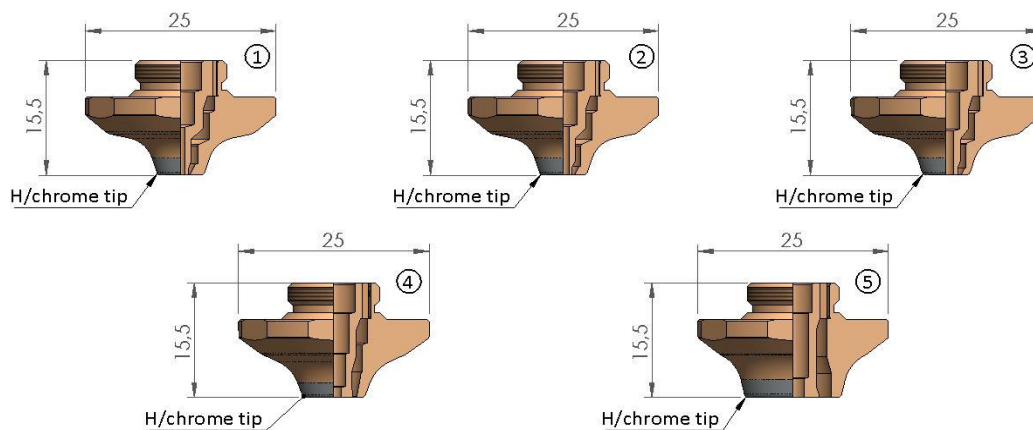


POS	LS. CODE	ORIGINAL CODE	DESCRIPTION	unit price	10 pack price
1	011022CK	1373324	TRUMPF <sup>®</sup> NOZZLE Ø 0.8 EAB CP		
	011022CKW	1373324	TRUMPF <sup>®</sup> NOZZLE Ø 0.8 EAB CP		
	011023CK	1373325	TRUMPF <sup>®</sup> NOZZLE Ø 1.0 EAB CP		
	011023CKW	1373325	TRUMPF <sup>®</sup> NOZZLE Ø 1.0 EAB CP		
	011024CK	1373326	TRUMPF <sup>®</sup> NOZZLE Ø 1.2 EAB CP		
	011024CKW	1373326	TRUMPF <sup>®</sup> NOZZLE Ø 1.2 EAB CP		
	011025CK	1373327	TRUMPF <sup>®</sup> NOZZLE Ø 1.4 EAB CP		
	011025CKW	1373327	TRUMPF <sup>®</sup> NOZZLE Ø 1.4 EAB CP		
	011026CK	1373328	TRUMPF <sup>®</sup> NOZZLE Ø 1.7 EAB CP		
	011026CKW	1373328	TRUMPF <sup>®</sup> NOZZLE Ø 1.7 EAB CP		
2	011027CK	1373329	TRUMPF <sup>®</sup> NOZZLE Ø 2.0 EAB CP		
	011027CKW	1373329	TRUMPF <sup>®</sup> NOZZLE Ø 2.0 EAB CP		
	011028CK	1373330	TRUMPF <sup>®</sup> NOZZLE Ø 2.3 EAB CP		
	011028CKW	1373330	TRUMPF <sup>®</sup> NOZZLE Ø 2.3 EAB CP		
	011029CK	1373331	TRUMPF <sup>®</sup> NOZZLE Ø 2.7 EAB CP		
011029CKW	1373331	TRUMPF <sup>®</sup> NOZZLE Ø 2.7 EAB CP			

## Replacement parts suitable for TRUMPF<sup>®</sup>

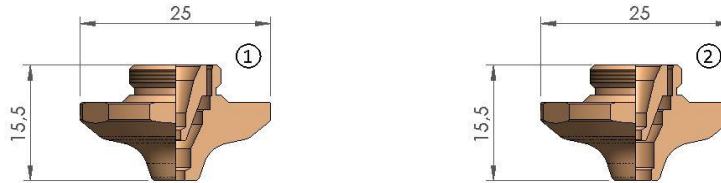


POS	LS. CODE	ORIGINAL CODE	DESCRIPTION	unit price	10 pack price
1	014040	2059462	TRUMPF <sup>®</sup> DOUBLE NOZZLE EAU Ø 2.5		
2	014041	2060001	TRUMPF <sup>®</sup> DOUBLE NOZZLE EAU Ø 3.0		
3	014042	2060004	TRUMPF <sup>®</sup> DOUBLE NOZZLE EAU Ø 4.0		
4	014043	2060025	TRUMPF <sup>®</sup> DOUBLE NOZZLE EAU Ø 6.0		
5	014044	2253595	TRUMPF <sup>®</sup> DOUBLE NOZZLE EAU Ø 10.0		

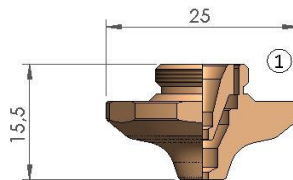


POS	LS. CODE	ORIGINAL CODE	DESCRIPTION	unit price	10 pack price
1	014040CK		TRUMPF <sup>®</sup> DOUBLE NOZZLE EAU Ø 2.5 CP		
2	014041CK		TRUMPF <sup>®</sup> DOUBLE NOZZLE EAU Ø 3.0 CP		
3	014042CK		TRUMPF <sup>®</sup> DOUBLE NOZZLE EAU Ø 4.0 CP		
4	014043CK		TRUMPF <sup>®</sup> DOUBLE NOZZLE EAU Ø 6.0 CP		
5	014044CK		TRUMPF <sup>®</sup> DOUBLE NOZZLE EAU Ø 10.0 CP		

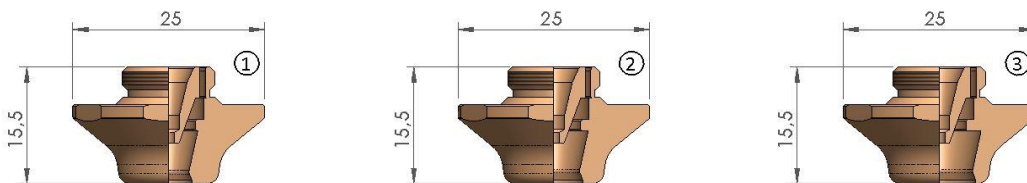
## Replacement parts suitable for TRUMPF<sup>®</sup>



POS	LS. CODE	ORIGINAL CODE	DESCRIPTION	unit price	10 pack price
1	014065	1579549	TRUMPF <sup>®</sup> DOUBLE NOZZLE EAK Ø 2.5		
	014066	1579556	TRUMPF <sup>®</sup> DOUBLE NOZZLE EAK Ø 3.0		
2	014067	1835747	TRUMPF <sup>®</sup> DOUBLE NOZZLE EAK Ø 4.0		

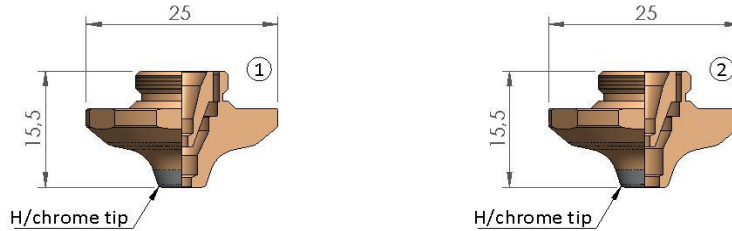


POS	LS. CODE	ORIGINAL CODE	DESCRIPTION	unit price	10 pack price
1	014075	1664569	TRUMPF <sup>®</sup> DOUBLE NOZZLE EAN Ø 1.7		
	014076	1664602	TRUMPF <sup>®</sup> DOUBLE NOZZLE EAN Ø 2.0		
	014077	1664625	TRUMPF <sup>®</sup> DOUBLE NOZZLE EAN Ø 2.5		

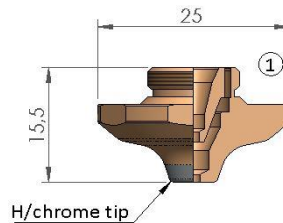


POS	LS. CODE	ORIGINAL CODE	DESCRIPTION	unit price	10 pack price
1	014082	1809091	TRUMPF <sup>®</sup> DOUBLE NOZZLE EAQ Ø 6.0		
2	014083	1809421	TRUMPF <sup>®</sup> DOUBLE NOZZLE EAQ Ø 7.5		
3	014084	1886199	TRUMPF <sup>®</sup> DOUBLE NOZZLE EAQ Ø 9.5		

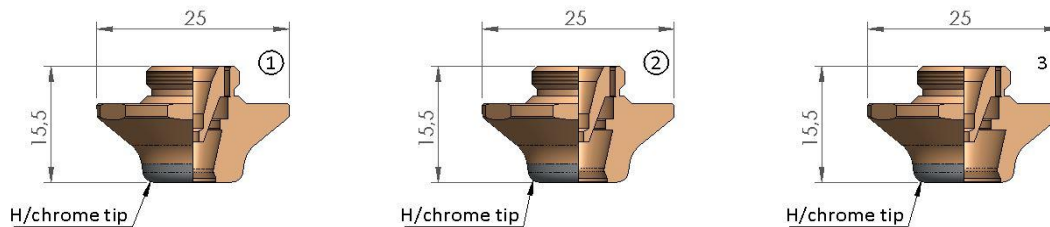
## Replacement parts suitable for TRUMPF<sup>®</sup>



POS	LS. CODE	ORIGINAL CODE	DESCRIPTION	unit price	10 pack price
1	014065CK	1579549	TRUMPF <sup>®</sup> DOUBLE NOZZLE EAK Ø 2.5 CP		
	014066CK	1579556	TRUMPF <sup>®</sup> DOUBLE NOZZLE EAK Ø 3.0 CP		
2	014067CK	1835747	TRUMPF <sup>®</sup> DOUBLE NOZZLE EAK Ø 4.0 CP		



POS	LS. CODE	ORIGINAL CODE	DESCRIPTION	unit price	10 pack price
1	014075CK	1664569	TRUMPF <sup>®</sup> DOUBLE NOZZLE EAN Ø 1.7 CP		
	014076CK	1664602	TRUMPF <sup>®</sup> DOUBLE NOZZLE EAN Ø 2.0 CP		
	014077CK	1664625	TRUMPF <sup>®</sup> DOUBLE NOZZLE EAN Ø 2.5 CP		



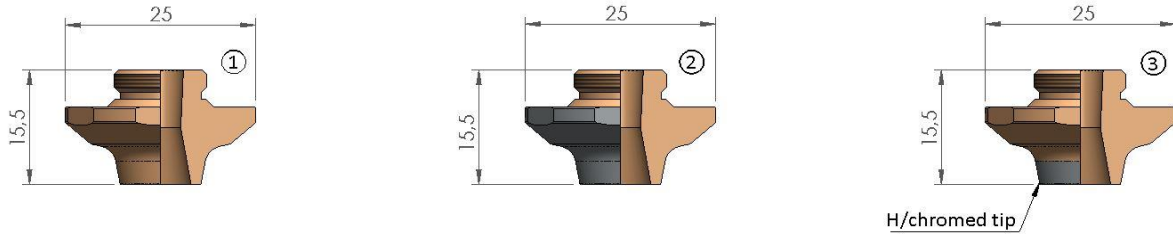
POS	LS. CODE	ORIGINAL CODE	DESCRIPTION	unit price	10 pack price
1	014082CK	1809091	TRUMPF <sup>®</sup> DOUBLE NOZZLE EAQ Ø 6.0 CP		
2	014083CK	1809421	TRUMPF <sup>®</sup> DOUBLE NOZZLE EAQ Ø 7.5 CP		
3	014084CK	1886199	TRUMPF <sup>®</sup> DOUBLE NOZZLE EAQ Ø 9.5 CP		

## Replacement parts suitable for TRUMPF<sup>®</sup>

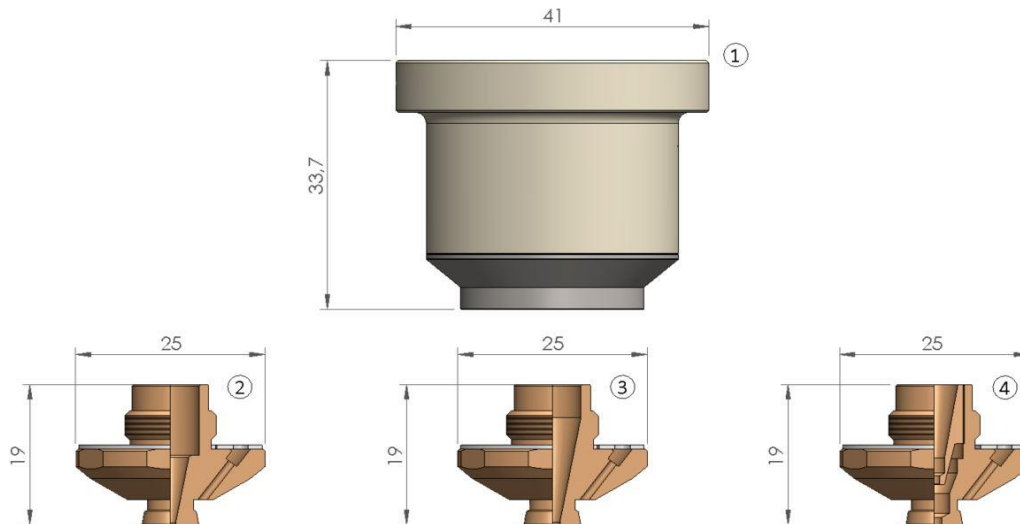


POS	LS. CODE	ORIGINAL CODE	DESCRIPTION	unit price	10 pack price
1	014050	1851641	TRUMPF <sup>®</sup> NOZZLE ECP Ø 0.8		
	014050W	1851641	TRUMPF <sup>®</sup> NOZZLE ECP Ø 0.8		
	014051	1851587	TRUMPF <sup>®</sup> NOZZLE ECP Ø 1.0		
	014051W	1851587	TRUMPF <sup>®</sup> NOZZLE ECP Ø 1.0		
	014052	1851588	TRUMPF <sup>®</sup> NOZZLE ECP Ø 1.2		
	014052W	1851588	TRUMPF <sup>®</sup> NOZZLE ECP Ø 1.2		
	014053	1851618	TRUMPF <sup>®</sup> NOZZLE ECP Ø 1.4		
	014053W	1851618	TRUMPF <sup>®</sup> NOZZLE ECP Ø 1.4		
	014054	1851619	TRUMPF <sup>®</sup> NOZZLE ECP Ø 1.7		
	014054W	1851587	TRUMPF <sup>®</sup> NOZZLE ECP Ø 1.7		
	014055	1851620	TRUMPF <sup>®</sup> NOZZLE ECP Ø 2.0		
	014055W	1851620	TRUMPF <sup>®</sup> NOZZLE ECP Ø 2.0		
	014056	1851651	TRUMPF <sup>®</sup> NOZZLE ECP Ø 2.3		
	014056W	1851651	TRUMPF <sup>®</sup> NOZZLE ECP Ø 2.3		
014057	1851652	TRUMPF <sup>®</sup> NOZZLE ECP Ø 2.7			
014057W	1851652	TRUMPF <sup>®</sup> NOZZLE ECP Ø 2.7			
2	014050CK	1851641	TRUMPF <sup>®</sup> NOZZLE ECP Ø 0.8 CP		
	014050CKW	1851641	TRUMPF <sup>®</sup> NOZZLE ECP Ø 0.8 CP		
	014051CK	1851587	TRUMPF <sup>®</sup> NOZZLE ECP Ø 1.0 CP		
	014051CKW	1851587	TRUMPF <sup>®</sup> NOZZLE ECP Ø 1.0 CP		
	014052CK	1851588	TRUMPF <sup>®</sup> NOZZLE ECP Ø 1.2 CP		
	014052CKW	1851588	TRUMPF <sup>®</sup> NOZZLE ECP Ø 1.2 CP		
	014053CK	1851618	TRUMPF <sup>®</sup> NOZZLE ECP Ø 1.4 CP		
	014053CKW	1851618	TRUMPF <sup>®</sup> NOZZLE ECP Ø 1.4 CP		
	014054CK	1851619	TRUMPF <sup>®</sup> NOZZLE ECP Ø 1.7 CP		
	014054CKW	1851619	TRUMPF <sup>®</sup> NOZZLE ECP Ø 1.7 CP		
	014055CK	1851620	TRUMPF <sup>®</sup> NOZZLE ECP Ø 2.0 CP		
	014055CKW	1851620	TRUMPF <sup>®</sup> NOZZLE ECP Ø 2.0 CP		
	014056CK	1851651	TRUMPF <sup>®</sup> NOZZLE ECP Ø 2.3 CP		
	014056CKW	1851651	TRUMPF <sup>®</sup> NOZZLE ECP Ø 2.3 CP		
014057CK	1851652	TRUMPF <sup>®</sup> NOZZLE ECP Ø 2.7 CP			
014057CKW	1851652	TRUMPF <sup>®</sup> NOZZLE ECP Ø 2.7 CP			

## Replacement parts suitable for TRUMPF<sup>®</sup>



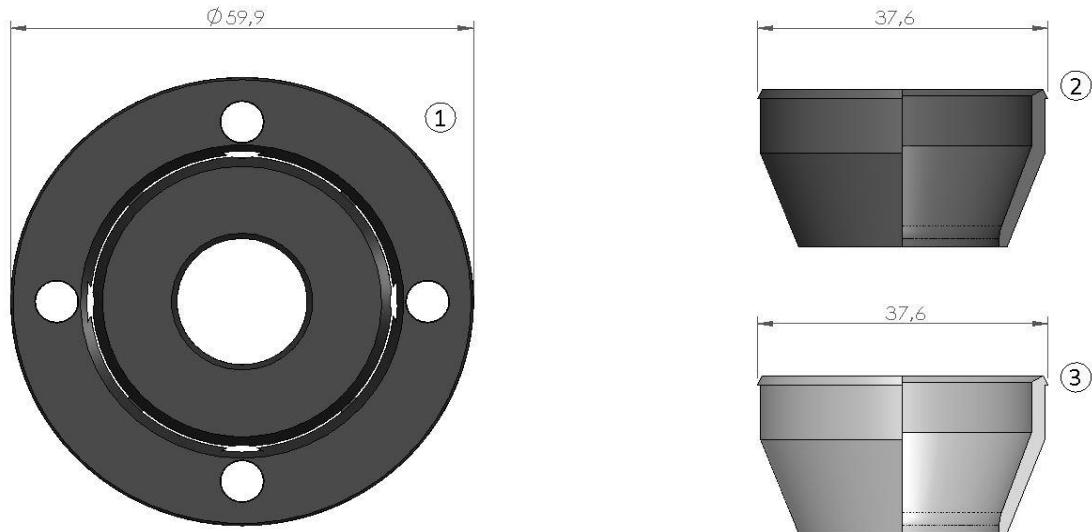
POS	LS. CODE	ORIGINAL CODE	DESCRIPTION	unit price	10 pack price
1	014060	1633046	TRUMPF <sup>®</sup> NOZZLE EAC Ø 5.3		
	014060W	1633046	TRUMPF <sup>®</sup> NOZZLE EAC Ø 5.3		
2	014060C	1633046	TRUMPF <sup>®</sup> NOZZLE EAC Ø 5.3 CP		
	014060CW	1633046	TRUMPF <sup>®</sup> NOZZLE EAC Ø 5.3 CP		
3	014060CK	1633046	TRUMPF <sup>®</sup> NOZZLE EAC Ø 5.3 CP		
	014060CKW	1633046	TRUMPF <sup>®</sup> NOZZLE EAC Ø 5.3 CP		



POS	LS. CODE	ORIGINAL CODE	DESCRIPTION	unit price	10 pack price
1	019007	1906032	TRUMPF <sup>®</sup> NOZZLE HOLDER COOL LINE M12		
2	014020		TRUMPF <sup>®</sup> NOZZLE EGL Ø 1.4		
	014021		TRUMPF <sup>®</sup> NOZZLE EGL Ø 1.7		
3	014022		TRUMPF <sup>®</sup> NOZZLE EGL Ø 2.0		
	014023		TRUMPF <sup>®</sup> NOZZLE EGL Ø 2.3		
4	014030		TRUMPF <sup>®</sup> DOUBLE NOZZLE EGL Ø 2.0		
	014031		TRUMPF <sup>®</sup> DOUBLE NOZZLE EGL Ø 2.5		
	014032		TRUMPF <sup>®</sup> DOUBLE NOZZLE EGL Ø 3.0		
	014033		TRUMPF <sup>®</sup> DOUBLE NOZZLE EGL Ø 4.0		



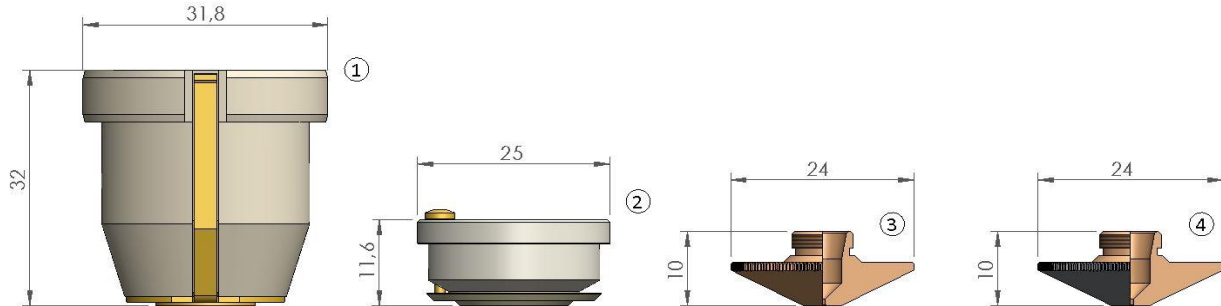
## Replacement parts suitable for TRUMPF<sup>®</sup>



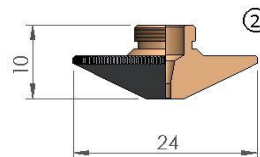
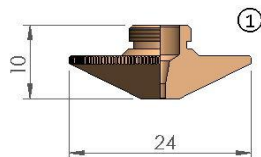
POS	LS. CODE	ORIGINAL CODE	DESCRIPTION	unit price	10 pack price
1	019020	234485	TRUMPF <sup>®</sup> BREAK-AWAY		
2	019011	256153-955826	TRUMPF <sup>®</sup> COVER - BLACK		
3	019010	256153-955826	TRUMPF <sup>®</sup> PTFE COVER - WHITE		



## Replacement parts suitable for TRUMPF<sup>®</sup>

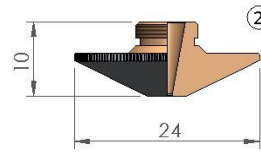
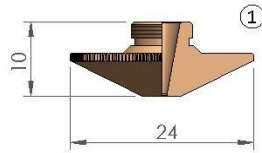


POS	LS. CODE	ORIGINAL CODE	DESCRIPTION	unit price	10 pack price
1	019002	254493-260432	TRUMPF <sup>®</sup> CERAMIC NOZZLE HOLDER		
2	019001	258809, 243839, 247894	TRUMPF <sup>®</sup> CERAMIC NOZZLE HOLDER		
	019009	258809	TRUMPF <sup>®</sup> ORIGINAL CERAMIC NOZZLE HOLDER		
3	012001W	124561-237499	TRUMPF <sup>®</sup> NOZZLE Ø 0.8 ECE		
	012002W	124562-237498	TRUMPF <sup>®</sup> NOZZLE Ø 1.0 ECE		
	012003W	966809	TRUMPF <sup>®</sup> NOZZLE Ø 1.2 ECE		
	012004W		TRUMPF <sup>®</sup> NOZZLE Ø 1.4 ECE		
	012005W	237500	TRUMPF <sup>®</sup> NOZZLE Ø 1.5 ECE		
	012006W		TRUMPF <sup>®</sup> NOZZLE Ø 1.7 ECE		
	012007W	237503-1253211	TRUMPF <sup>®</sup> NOZZLE Ø 2.0 ECE		
	012008W	124564	TRUMPF <sup>®</sup> NOZZLE Ø 2.3 ECE		
	012009W	237504	TRUMPF <sup>®</sup> NOZZLE Ø 3.0 ECE		
3	012001CW	352280	TRUMPF <sup>®</sup> NOZZLE Ø 0.8 ECE CP		
	012002CW	352281	TRUMPF <sup>®</sup> NOZZLE Ø 1.0 ECE CP		
	012003CW	352282	TRUMPF <sup>®</sup> NOZZLE Ø 1.2 ECE CP		
	012004CW		TRUMPF <sup>®</sup> NOZZLE Ø 1.4 ECE CP		
	012005CW	352288	TRUMPF <sup>®</sup> NOZZLE Ø 1.5 ECE CP		
	012006CW		TRUMPF <sup>®</sup> NOZZLE Ø 1.7 ECE CP		
	012007CW		TRUMPF <sup>®</sup> NOZZLE Ø 2.0 ECE CP		
	012008CW	124564	TRUMPF <sup>®</sup> NOZZLE Ø 2.3 ECE CP		
	012009CW		TRUMPF <sup>®</sup> NOZZLE Ø 3.0 ECE CP		

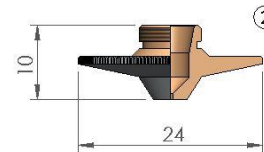
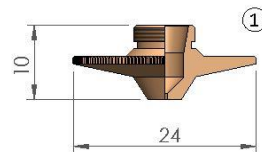


POS	LS. CODE	ORIGINAL CODE	DESCRIPTION	unit price	10 pack price
1	012017W	237497	TRUMPF <sup>®</sup> NOZZLE Ø 1.4 HD ECE		
2	012017CW	352283	TRUMPF <sup>®</sup> NOZZLE Ø 1.4 HD ECE CP		

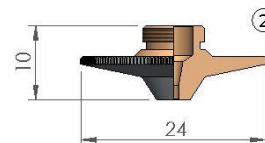
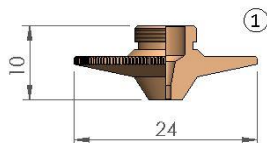
## Replacement parts suitable for TRUMPF<sup>®</sup>



POS	LS. CODE	ORIGINAL CODE	DESCRIPTION	unit price	10 pack price
1	012018W	237497/S	TRUMPF <sup>®</sup> NOZZLE Ø 1.4 ECE HD		
	012019W	237501	TRUMPF <sup>®</sup> NOZZLE Ø 1.7 ECE HD		
	012020W	237502	TRUMPF <sup>®</sup> NOZZLE Ø 2.0 ECE HD		
	012021W	126933	TRUMPF <sup>®</sup> NOZZLE Ø 2.3 ECE HD		
	012022W		TRUMPF <sup>®</sup> NOZZLE Ø 2.5 ECE HD		
	012023W	942742	TRUMPF <sup>®</sup> NOZZLE Ø 2.7 ECE HD		
	012024W		TRUMPF <sup>®</sup> NOZZLE Ø 3.0 ECE HD		
2	012018CW		TRUMPF <sup>®</sup> NOZZLE Ø 1.4 ECE HD CP		
	012019CW	352284	TRUMPF <sup>®</sup> NOZZLE Ø 1.7 ECE HD CP		
	012020CW	237502	TRUMPF <sup>®</sup> NOZZLE Ø 2.0 ECE HD CP		
	012021CW	352285	TRUMPF <sup>®</sup> NOZZLE Ø 2.3 ECE HD CP		
	012022CW		TRUMPF <sup>®</sup> NOZZLE Ø 2.5 ECE HD CP		
	012023CW	352286	TRUMPF <sup>®</sup> NOZZLE Ø 2.7 ECE HD CP		
	012024CW		TRUMPF <sup>®</sup> NOZZLE Ø 3.0 ECE HD CP		



POS	LS. CODE	ORIGINAL CODE	DESCRIPTION	unit price	10 pack price
1	012011W	215780	TRUMPF <sup>®</sup> NOZZLE Ø 0.8		
	012012W	87658	TRUMPF <sup>®</sup> NOZZLE Ø 1.0		
2	012011CW		TRUMPF <sup>®</sup> NOZZLE Ø 0.8 CP		
	012012CW		TRUMPF <sup>®</sup> NOZZLE Ø 1.0 CP		



POS	LS. CODE	ORIGINAL CODE	DESCRIPTION	unit price	10 pack price
1	012026W	88894	TRUMPF <sup>®</sup> NOZZLE Ø 1.4 HD		
	012027W	217867	TRUMPF <sup>®</sup> NOZZLE Ø 1.7 HD		
2	012026CW		TRUMPF <sup>®</sup> NOZZLE Ø 1.4 HD CP		
	012027CW		TRUMPF <sup>®</sup> NOZZLE Ø 1.7 HD CP		

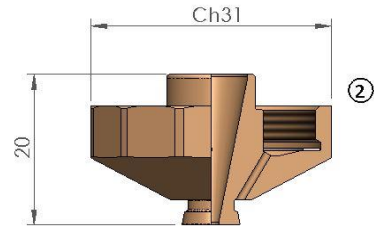
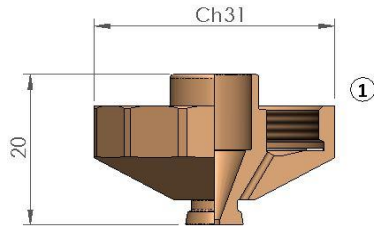
Laser Store srl is not affiliated with the named manufacturers. Reference to machines, parts, descriptions, and model numbers are for convenience in verifying compatibility only. All parts are made by or for Laser Store srl and are not made by the reference manufacturers (unless expressly indicated). All other trademarks are the properties of their respective owners."

## Replacement parts suitable for TRUMPF<sup>®</sup>



POS	LS. CODE	ORIGINAL CODE	DESCRIPTION	unit price	10 pack price
1	012030	1277773	TRUMPF <sup>®</sup> NOZZLE Ø 0.8		
	012030W	1277773	TRUMPF <sup>®</sup> NOZZLE Ø 0.8		
	012031	1277771	TRUMPF <sup>®</sup> NOZZLE Ø 1.0		
	012031W	1277771	TRUMPF <sup>®</sup> NOZZLE Ø 1.0		
	012032	1277774	TRUMPF <sup>®</sup> NOZZLE Ø 1.2		
	012032W	1277774	TRUMPF <sup>®</sup> NOZZLE Ø 1.2		
	012033	1277776	TRUMPF <sup>®</sup> NOZZLE Ø 1.4		
	012033W	1277776	TRUMPF <sup>®</sup> NOZZLE Ø 1.4		
	012034	1277779	TRUMPF <sup>®</sup> NOZZLE Ø 1.7		
	012034W	1277779	TRUMPF <sup>®</sup> NOZZLE Ø 1.7		
	012035	1277780	TRUMPF <sup>®</sup> NOZZLE Ø 2.0		
	012035W	1277780	TRUMPF <sup>®</sup> NOZZLE Ø 2.0		
	012036	1277781	TRUMPF <sup>®</sup> NOZZLE Ø 2.3		
	012036W	1277781	TRUMPF <sup>®</sup> NOZZLE Ø 2.3		
	012037	1277782	TRUMPF <sup>®</sup> NOZZLE Ø 2.7		
	012037W	1277782	TRUMPF <sup>®</sup> NOZZLE Ø 2.7		
	2	012030C		TRUMPF <sup>®</sup> NOZZLE Ø 0.8 CP	
012030CW			TRUMPF <sup>®</sup> NOZZLE Ø 0.8 CP		
012031C			TRUMPF <sup>®</sup> NOZZLE Ø 1.0 CP		
012031CW			TRUMPF <sup>®</sup> NOZZLE Ø 1.0 CP		
012032C			TRUMPF <sup>®</sup> NOZZLE Ø 1.2 CP		
012032CW			TRUMPF <sup>®</sup> NOZZLE Ø 1.2 CP		
012033C			TRUMPF <sup>®</sup> NOZZLE Ø 1.4 CP		
012033CW			TRUMPF <sup>®</sup> NOZZLE Ø 1.4 CP		
012034C			TRUMPF <sup>®</sup> NOZZLE Ø 1.7 CP		
012034CW			TRUMPF <sup>®</sup> NOZZLE Ø 1.7 CP		
012035C			TRUMPF <sup>®</sup> NOZZLE Ø 2.0 CP		
012035CW			TRUMPF <sup>®</sup> NOZZLE Ø 2.0 CP		
012036C			TRUMPF <sup>®</sup> NOZZLE Ø 2.3 CP		
012036CW			TRUMPF <sup>®</sup> NOZZLE Ø 2.3 CP		
012037C			TRUMPF <sup>®</sup> NOZZLE Ø 2.7 CP		
012037CW		TRUMPF <sup>®</sup> NOZZLE Ø 2.7 CP			

## Replacement parts suitable for TRUMPF<sup>®</sup>



POS	LS. CODE	ORIGINAL CODE	DESCRIPTION	unit price	10 pack price
1	015001	1774018	TRUMPF <sup>®</sup> NOZZLE EFL Ø 1.4		
	015002	1838745	TRUMPF <sup>®</sup> NOZZLE EFL Ø 1.7		
2	015003	1774020	TRUMPF <sup>®</sup> NOZZLE EFL Ø 2.0		
	015004	1774092	TRUMPF <sup>®</sup> NOZZLE EFL Ø 2.3		